

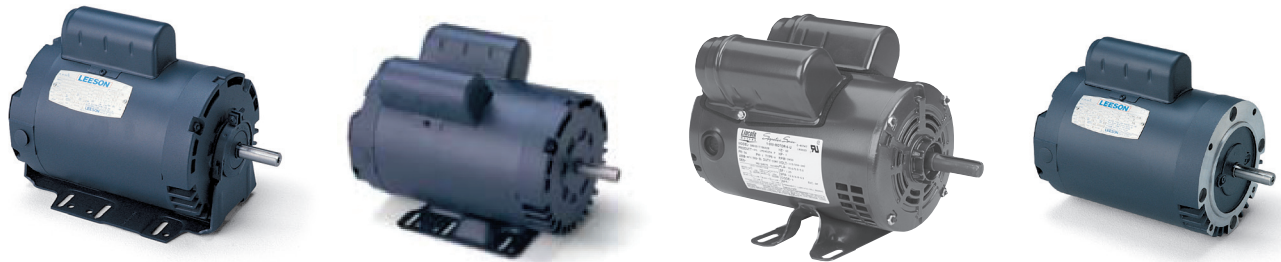
Single Phase ODP Motors

Single Phase Motors – General Purpose – Drip-Proof – 115/208-230V

Rigid Mount – 1/12 HP – 10 HP – Frame sizes - 42 – 215T

C Face Mount – 1/6 HP – 10 HP – Frame sizes 48 – 215TC

Resilient Base Mount – ¼ HP – 2 HP – Frame sizes – 48 – 56



- Durable rolled steel construction
- NEMA design B performance
- Meets or exceeds NEMA service factors
- Double shielded ball bearings
- Continuous duty
- Thermally protected ratings
- UL recognized component listing and CSA certified
- 1-year warranty on general purpose motors
- 3-year warranty on Premium efficient motors

Applications:

- For use where water and dust exposure is minimal. Ideally suited for use on pumps, compressors, blowers, fans and other standard industrial applications



Single Phase – Drip-Proof – Rigid Base

HP	SYN RPM 60 Hz	NEMA Frame	▼ Catalog Number	Stock	List Price	Model Number	App. Wgt. (lbs.)	Voltage	Over-load Prot.	F. L. Amps @ 230 V	Service Factor	"C" Dim. (Inches)	♥ Notes
1/4	1800	48	101423.00	✓	384	M4C17DB33	16	115/208-230	Man.	2.7	1.35	8.87	S, MX
	1800	48	100115.00	✓	318	A4C17DB1	16	115/208-230	Auto.	2.7	1.35	8.87	S, MX
	1800	S56	100000.00	✓	363	A4C17DH1	17	115/208-230	Auto.	2.7	1.35	9.24	S, MX
	1800	S56	LM24457	D	376	SPD4S0.25T1C6028	17	115/208-230	None	2.5	1.35	9.84	S, MX
1/3	3600	S56	100336.00	D	297	C4C34DH11	26	115/208-230	None	2.8	1.35	8.99	S, MX
	3600	S56	E100336.00	✓	381	C4K34DH6	29	115/208-230	None	1.5	1.35	10.09	S, MX, 53
	1800	48	100116.00	✓	363	A4C17DB2	17	115/208-230	Auto.	3.3	1.35	8.87	S, MX
	1800	S56	100006.00	D	377	C4C17DH7	18	115/208-230	None	3.3	1.35	9.24	S, MX
	1800	S56	E100006.00	✓	485	C4K17DH5	19	115/208-230	None	1.9	1.35	10.97	S, MX, 53
	1800	S56	LM24570	D	393	SRD4S0.33TICC6028	18	115/208-230	None	3.2	1.35	9.24	S, MX
	1800	S56	100588.00	D	430	M4C17DH46	18	115/208-230	Man.	3.3	1.35	9.24	S, MX
	1800	S56	LM24550	✓	447	SRD4S0.33T1C6028TP1	18	115/208-230	Man.	3.2	1.35	10.22	S, MX
	1800	S56	100001.00	✓	428	A4C17DH2	18	115/208-230	Auto.	3.3	1.35	9.24	S, MX
	1200	56	110001.00	D	541	C6C11DB1	29	115/208-230	None	3.9	1.35	10.88	S, US
	1200	56	E110001.00	✓	659	C4K11DH1	32	115/208-230	None	1.7	1.35	11.38	S, MX, 53
1/2	3600	48	100184.00	D	328	C4C34DB1	19	115/208-230	None	3.4	1.25	9.62	S, MX
	3600	48	E100184.00	✓	410	4K34DB1	29	115/208-230	None	2.2	1.25	10.59	S, MX, 53
	3600	48	LM24465	D	341	SPD2S0.5T1C6028	18	115/208-230	None	4.4	1.25	10.34	S, MX
	3600	S56	100337.00	✓	328	C4C34DH12	20	115/208-230	None	3.4	1.25	9.99	S, MX
	3600	S56	E100337.00	✓	421	C4K34DH5	21	115/208-230	None	2.2	1.25	10.97	S, MX, 53
	3600	S56	100052.00	✓	355	M4C34DH2	21	115/208-230	Man.	3.4	1.25	9.99	S, MX
	1800	48	100338.00	D	458	C4C17DB12	20	115/208-230	None	4.4	1.25	9.62	S, MX
	1800	48	E100338.00	✓	532	C4K17DB5	30	115/208-230	None	2.3	1.25	11.06	S, MX, 53
	1800	S56	100007.00	✓	414	C4C17DH8	21	115/208-230	None	4.4	1.25	9.99	S, MX
	1800	S56	E100007.00	✓	532	C4K17DH6	30	115/208-230	None	2.3	1.25	11.47	S, MX, 53
	1800	S56	LM24551	D	432	SRD4S0.5T1C6028	22	115/208-230	None	4.3	1.25	11.72	S, MX
	1800	S56	100004.00	✓	507	M4C17DH5	21	115/208-230	Man.	4.4	1.25	9.99	S, MX
	1800	S56	100002.00	✓	482	A4C17DH3	20	115/208-230	Auto.	4.4	1.25	9.99	S, MX
	1800	S56	LM24552	D	505	SRD4S0.5T1C6028TP2	22	115/208-230	Auto.	4.3	1.25	11.72	S, MX
	1200	56	110002.00	D	817	C6C11DB2	32	115/208-230	None	5.0	1.25	11.38	S, US
	1200	56	E110002.00	✓	997	C6K11DB5	33	115/208-230	None		1.25		S, MX, 53
3/4	3600	S56	100340.00	D	400	C4C34DH13	24	115/208-230	None	4.9	1.25	10.49	S, MX
	3600	S56	E100340.00	✓	503	C4K34DH4	31	115/208-230	None	3.6	1.25	11.47	S, MX, 53
	3600	S56	LM24674	D	419	SRD2S0.75T1C6028	21	115/208-230	None	4.8	1.25	10.97	S, MX
	3600	S56	100053.00	✓	447	M4C34DH3	24	115/208-230	Man.	4.9	1.25	10.49	S, MX
	1800	S56	100008.00	D	511	C4C17DH9	26	115/208-230	None	5.4	1.25	10.99	S, MX
	1800	56	E119348.00	✓	614	C6K17DB51	27	115/208-230	None	3.3	1.25	11.13	S, MX, 53
	1800	S56	LM24502	D	534	SED4S0.75T1B6028	26	115/208-230	None	5.5	1.25	11.47	S, MX
	1800	S56	100005.00	✓	605	M4C17DH6	25	115/208-230	Man.	5.4	1.25	10.99	S, MX
	1800	S56	LM24504	D	669	SRD4S0.75T1B6028TP1	18	115/208-230	Man.	5.5	1.25	11.47	S, MX
	1800	S56	101544.00	C/A	646	M4K17DH2	28	115/208-230	Man.	4.0	1.25	11.24	S, MX
	1800	S56	100003.00	✓	589	A4C17DH4	25	115/208-230	Auto.	5.4	1.25	10.99	S, MX
	1800	S56	LM24503	D	616	SRD4S0.75T1B6028TP2	25	115/208-230	Auto.	5.5	1.25	11.47	S, MX
	1200	56H	110003.00	D	921	C6C11DB3	44	115/208-230	None	6.4	1.15	12.88	S, US
	1200	56H	E110003.00	✓	1040	C6K11DB6	45	115/208-230	None		1.15		S, US, 53

Green items are Premium Efficient
 "E" prefix items comply with SMR 2015

Please view our on-line catalog for updated information
 that was unavailable at the time of this printing.

* F.L. Amps at 208V

Continued on next page

▼ LM Numbers are Lincoln Models

D - Item to be discontinued once inventory is depleted

C/A - Check Availability

Specifications are subject to change without notice

♥ Note listing on inside back flap

View On-line Technical Information



Single Phase ODP Motors



Capacitor Start – General Purpose

Single Phase – Drip-Proof – Rigid Base

HP	SYN RPM 60 Hz	NEMA Frame	▼ Catalog Number	Stock	List Price	Model Number	App. Wgt. (lbs)	Voltage	Over-load Prot.	F. L. Amps @ 230 V	Service Factor	"C" Dim. (Inches)	♥Notes
1	3600	56	110360.00	D	421	C6C34DB19	28	115/208-230	None	6.0	1.25	10.84	S, US
	3600	56	E110360.00	✓	541	C6K34DB31	29	115/208-230	None		1.25		S, US, 53
	3600	56	110097.00	✓	462	M6C34DB3	28	115/208-230	Man.	6.0	1.25	10.84	S, US
1800	56	110004.00	D	557	C6C17DB2	28	115/208-230	None	6.4	1.15	10.88	S, US	
	56	E110004.00	✓	706	C6K17DB52	29	115/208-230	None	4.2	1.15	12.38	S, US, 53	
	56	LM24580	D	582	SRD4SITIC6028TP1	20	115/208-230	None	6.7	1.15	11.44	S, MX	
1800	56	110167.00	✓	654	M6C17DB7	30	115/208-230	Man.	6.4	1.15	10.88	S, US	
	56	LM24582	D	684	SRD4S1T1C6028TP1	29	115/208-230	Man.	6.7	1.15	11.44	S, MX	
	56	113630.00	✓	701	M6K17DB33	31	115/208-230	Man.	5.3	1.15	10.88	S, US, 53	
1800	56	110000.00	✓	630	A6C17DB1	28	115/208-230	Auto.	6.4	1.15	10.88	S, US	
	143T	120044.00	✓	622	C143C17DB3	38	115/208-230	None	6.4	1.15	11.13	S, US	
	143T	120003.00	✓	654	M143C17DB2	33	115/208-230	Man.	6.4	1.15	11.13	S, US	
1800	143T	120000.00	✓	653	A143C17DB1	32	115/208-230	Auto.	6.4	1.15	11.13	S, US	
1 1/2	3600	56	110361.00	D	596	C6C34DB20	29	115/208-230	None	8.2	1.15	10.84	S, US
	3600	56	E110361.00	✓	754	C6K34DB32	30	115/208-230	None		1.15		S, US, 53
	3600	56	110110.00	✓	605	M6C34DB4	28	115/208-230	Man.	8.2	1.15	10.84	S, US
3600	56	113631.00	✓	613	M6K34DB15	36	115/208-230	Man.	6.2	1.15	11.34	S, US, 53	
	143T	120107.00	C/A	596	C143C34DB1	32	115/208-230	None	8.2	1.15	11.28	S, US	
	1800	56H	110005.00	D	724	C6K17DB1	37	115/208-230	None	8.6	1.15	11.84	S, US, 53
1800	56H	E110005.00	✓	916	C6K17DB53	38	115/208-230	None	6.5	1.15	13.28	S, US, 53	
	56H	LM24583	D	758	SRD4S1.5T1C6028	40	115/208-230	None	9.0	1.15	12.44	S, MX	
	56H	110006.00	✓	789	P6K17DB2	38	115/208-230	Man.	8.6	1.15	11.84	S, US, 53	
1800	56H	113266.00	✓	817	M6K17DB30	42	115/208-230	Man.	6.7	1.15	12.38	S, US, 53	
	145T	120042.00	✓	687	C145K17DB5	38	115/208-230	None	8.6	1.15	12.28	S, US, 53	
	145T	LM24687	✓	721	SSD4S1.5T1C6028	41	115/208-230	None	9.0	1.15	12.44	S, MX	
1800	145T	120004.00	✓	873	P145K17DB3	40	115/208-230	Man.	8.6	1.15	12.28	S, US, 53	
	145T	120001.00	✓	873	U145K17DB1	40	115/208-230	Auto.	8.6	1.15	12.28	S, US, 53	
	3600	56	110363.00	✓	989	C6K34DB33	38	115/208-230	None		1.15		S, US, 53
3600	56	110362.00	D	822	P6C34DB21	38	115/208-230	Man.	10.0	1.15	12.34	S, US	
	56	113632.00	✓	828	P6K34DB16	38	115/208-230	Man.	8.6	1.15	11.34	S, US, 53	
	145T	120106.00	✓	849	C145C34DB3	40	115/208-230	None	10.0	1.15	12.28	S, US	
1800	56H	116704.00	✓	873	P6K17DB47	45	115/208-203	Man.	8.6	1.15	12.88	S, US, 53	
	145T	120067.00	✓	820	C145K17DB9	42	115/230	None	10.5	1.15	13.28	S, US, 53	
	145T	LM24677	✓	858	SSD4S2T1B6028	49	115/208-230	None	10.5	1.15	13.49	S, MX, 53	
1800	145T	120879.00	✓	918	P145K17DB38	51	115/208-230	Man.	8.6	1.15	13.31	S, US, 53	
	182T	131515.00	✓	849	C182C17DB8	56	115/208-230	None	12.4	1.15	13.19	S, MX	
	182T	131536.00	✓	909	P182C17DB10	63	115/208-230	Man.	12.4	1.15	13.19	S, MX	
1800	182T	131535.00	✓	904	U182C17DB9	63	115/208-230	Auto.	12.4	1.15	13.19	S, MX	

Green items are Premium Efficient
 "E" prefix items comply with SMR 2015

Continued on next page

* F.L. Amps at 208V

♥ Note listing on inside back flap

▼ LM Numbers are Lincoln Models

D - Item to be discontinued once inventory is depleted

C/A - Check Availability

Specifications are subject to change without notice

Please view our on-line catalog for updated information that was unavailable at the time of this printing.



View On-line Technical Information



Single Phase ODP Motors Capacitor Start – General Purpose

Tech Information

Single Phase – Drip-Proof – Rigid Base

HP	SYN RPM 60 Hz	NEMA Frame	▼ Catalog Number	Stock	List Price	Model Number	App. Wgt. (lbs)	Voltage	Over-load Prot.	F. L. Amps @ 230 V	Service Factor	"C" Dim. (Inches)	♥ Notes
3	3600	56H	116706.00	√	880	M6C34DB75	39	230	Man.	15.0	1.00	12.38	S, US
	3600	182T	131636.00	√	977	C182K34DB3	74	115/208-230	None	14.0	1.15	14.18	S, MX, 53
	1800	184T	131534.00	√	919	C184C17DB19	69	115/230	None	16.9	1.15	14.19	S, MX
	1800	184T	131561.00	√	1087	P184C17DB21	76	115/230	Man.	16.9	1.15	14.19	S, MX
	1800	184T	131851.00	C/A	1086	C184K17D0B40	72	208-230	Man.	13.7	1.15	15.22	S, MX, 53
	1800	184T	131530.00	√	1087	U184C17DB20	69	115/230	Auto.	16.9	1.15	14.19	S, MX
5	3600	56H	116708.00	√	900	P6K34DB26	45	230	Man.	20.8	1.00	13.34	S, US, 53
	3600	184T	131616.00	√	1162	C184K34DB3	84	208-230	None	22.0	1.15	14.69	S, MX, 53
	3600	184T	LM24681	C/A	1191	SS184D2S5T1C6008	78	208-230	None	24.0	1.15	14.72	S, MX, 53
	1800	184T	131537.00	√	1103	C184K17DB31	83	208-230	None	21.0	1.15	14.69	S, MX, 53
	1800	184T	LM24682	√	1127	SSD4S5T1B6008	87	208-230	None	21.0	1.15	15.72	S, MX, 53
	1800	184T	131560.00	√	1103	C184K17DB32	82	208	None	23.2*	1.15	14.69	S, MX, 53
7 1/2	1800	184T	131622.00	√	1319	P184K17DB33	82	208-230	Man.	21.0	1.15	14.69	S, MX, 53
	3600	184T	132044.00	√	1062	C184K34DB8	110	208-230	Tstat	31.0	1.15	16.69	S, MX, 53
	3600	213T	140680.00	√	1794	C213K34DB1	112	208-230	None	29.5	1.15	16.55	S, MX, 53
	1800	215T	140155.00	√	1566	C215K17DB2	113	230	None	36.0	1.15	17.26	S, MX, 53
10	1800	215T	LM24683	√	1652	SS15D4S7.5T1B6008	118	208-230	None	34.5	1.15	18.05	S, MX, 53
	3600	215T	140681.00	√	2268	C215K34DB1	135	208-230	None	37.0	1.15	18.05	S, MX, 53
10	1800	215TZ	140311.00	√	2289	C215K17DB4	140	230	None	43.0	1.25	19.76	S, MX, 53
	1800	215	LM24684	√	2345	SSD4S10T1B6008	140	208-230	None	44.0	1.15	19.29	S, MX, 53

* F.L. Amps at 208V

▼ LM Numbers are Lincoln Models

C/A - Check Availability

Specifications are subject to change without notice

♥ Note listing on inside back flap

Single Phase ODP Motors

Single Phase TEFC Motors

Three Phase ODP Motors

Three Phase TEFC Motors

Inverter Duty Motors

Severe Duty Motors

View On-line Technical Information



Single Phase - C Face Motors



Drip-Proof - Capacitor Start

General Purpose - C Face Less Base

Single Phase - Drip-Proof - C Face Less Base

HP	SYN RPM 60 Hz	NEMA Frame	▼ Catalog Number	Stock	List Price	Model Number	App. Wgt. (lbs)	Voltage	Over-load Prot.	F. L. Amps @ 230 V	Service Factor	"C" Dim. (Inches)	♥ Notes
1/4	1800	S56C	100023.00	D	355	C4C17DC7	17	115/208-230	None	2.7	1.35	9.24	S, MX
	1800	S56C	E100023.00	√	457	C4K17DC13	18	115/208-230	None	1.2	1.35	10.69	S, MX, 53
	1800	S56C	101521.00	√	385	A4C17DC79	17	115/208-230	Auto.	2.7	1.35	9.24	S, MX
1/3	3600	S56C	100354.00	D	311	C4C34DC11	17	115/208-230	None	2.8	1.35	8.99	S, MX
	3600	S56C	E100354.00	√	401	C4K34DC4	29	115/208-230	None	1.5	1.35	10.09	S, MX, 53
	3600	S56C	100355.00	√	328	A4C34DC12	17	115/208-230	Auto.	2.8	1.35	8.99	S, MX
	1800	S56C	100024.00	D	413	C4C17DC8	17	115/208-230	None	3.3	1.35	9.24	S, MX
	1800	S56C	E100024.00	√	531	C4K17DC12	19	115/208-230	None	1.9	1.35	10.97	S, MX, 53
	1800	S56C	LM24571	D	428	SRD4S0.33TLCN1C6028	17	115/208-230	None	3.2	1.35	10.69	S, MX
1/2	1800	S56C	LM34059	√	550	SRD4B0.33TLCN1C6028	19	115/208-230	None	1.9	1.35	10.97	S, MX, 53
	1800	S56C	100018.00	√	446	M4C17DC2	18	115/208-230	Man.	3.3	1.35	9.24	S, MX
	1800	S56C	101522.00	√	435	A4C17DC81	17	115/208-230	Auto.	3.3	1.35	9.24	S, MX
	3600	S56C	100356.00	D	328	C4C34DC13	19	115/208-230	None	3.4	1.25	9.99	S, MX
	3600	S56C	E100356.00	√	436	C4K34DC3	29	115/208-230	None	2.2	1.25	10.97	S, MX, 53
	3600	S56C	100054.00	√	353	A4C34DC1	18	115/208-230	Auto.	3.4	1.25	9.99	S, MX
3/4	1800	S56C	100025.00	D	467	C4C17DC9	19	115/208-230	None	4.4	1.25	9.99	S, MX
	1800	S56C	E100025.00	√	549	C4K17DC14	30	115/208-230	None	2.3	1.25	11.47	S, MX, 53
	1800	S56C	100019.00	√	504	M4C17DC3	21	115/208-230	Man.	4.4	1.25	9.99	S, MX
	1800	S56C	100020.00	√	493	A4C17DC4	20	115/208-230	Auto.	4.4	1.25	9.99	S, MX
	1200	56C	110381.00	D	850	C6C11DC2	32	115/208-230	None	5.0	1.25	11.38	S, US
	1200	56C	E110381.00	√	1,019	C6K11DC5	33	115/208-230	None		1.25		S, US, 53
	3600	S56C	100357.00	D	422	C4C34DC14	24	115/208-230	None	4.9	1.25	10.49	S, MX
	3600	S56C	E100357.00	√	532	C4K34DC5	31	115/208-230	None	3.6	1.25	11.47	S, MX, 53
1	3600	S56C	100055.00	√	462	A4C34DC2	24	115/208-230	Auto.	4.9	1.25	10.49	S, MX
	1800	S56C	100026.00	D	565	C4C17DC10	24	115/208-230	None	5.4	1.25	10.99	S, MX
	1800	56C	E119349.00	√	635	C6K17DC50	25	115/208-230	None	3.3	1.25	12.88	S, MX
	1800	S56C	LM24505	D	592	SRD4S0.75TLCN1B6028	25	115/208-230	None	5.5	1.25	11.72	S, MX, 53
	1800	S56C	100021.00	√	608	M4C17DC5	24	115/208-230	Man.	5.4	1.25	10.99	S, MX
	1800	S56C	101523.00	√	603	A4C17DC80	26	115/208-230	Auto.	5.4	1.25	10.99	S, MX
	1200	56C	110382.00	D	946	C6C11DC3	46	115/208-230	None	6.4	1.15	12.88	S, US
	1200	56C	E110382.00	√	1,096	C6K11DC6	47	115/208-230	None		1.15		S, US, 53
	3600	56C	110384.00	D	451	C6C34DC24	28	115/208-230	None	6.0	1.25	10.88	S, US
	3600	56C	E110384.00	√	579	C6K34DC25	29	115/208-230	None		1.25		S, US, 53
Severe Duty Motors	3600	56C	113337.00	C/A	504	A6C34DC53	28	115/208-230	Auto.	6.0	1.25	10.84	S, US
	1800	56C	110220.00	D	600	C6C17DC3	30	115/208-230	None	6.4	1.15	10.88	S, US
	1800	56C	E110220.00	√	714	C6K17DC51	31	115/208-230	None	4.2	1.15	12.88	S, US, 53
	1800	56C	110036.00	√	632	M6C17DC1	27	115/208-230	Man.	6.4	1.15	10.88	S, US
	1800	143TC	121002.00	√	648	C143C17DC2	31	115/208-230	None	6.4	1.15	11.28	S, US

Please view our on-line catalog for updated information that was unavailable at the time of this printing.

Continued on next page

♥ Note listing on inside back flap



View On-line Technical Information

Green items are Premium Efficient "E" prefix items comply with SMR 2015

▼ LM Numbers are Lincoln Models

D - Item to be discontinued once inventory is depleted

C/A - Check Availability

Specifications are subject to change without notice



Single Phase - C Face Motors



Drip-Proof - Capacitor Start

General Purpose - C Face Less Base

Tech Information

Single Phase - Drip-Proof - C Face Less Base

HP	SYN RPM 60 Hz	NEMA Frame	▼ Catalog Number	Stock	List Price	Model Number	App. Wgt. (lbs)	Voltage	Over-load Prot.	F. L. Amps @ 230 V	Service Factor	"C" Dim. (Inches)	♥ Notes	
1 1/2	3600	56C	110387.00	D	621	C6C34DC26	28	115/208-230	None	8.2	1.15	10.84	S, US	
	3600	56C	E110387.00	✓	786	C6K34DC26	29	115/208-230	None		1.15		S, US, 53	
	3600	56C	113336.00	✓	658	A6C34DC52	28	115/208-230	Auto.	8.2	1.15	10.84	S, US	
1800	56C	110388.00	D	724	C6K17DC4	38	115/208-230	None	8.6	1.15	11.84	S, US, 53		
	56C	E110388.00	✓	919	C6K17DC52	39	115/208-230	None	6.5	1.15	13.34	S, US, 53		
	56C	110037.00	✓	760	P6K17DC1	39	115/208-230	Man.	8.6	1.15	11.84	S, US, 53		
2	3600	56C	110390.00	D	814	C6C34DC28	37	115/208-230	None	10.0	1.15	11.84	S, US	
	3600	56C	E110390.00	✓	1,014	C6K34DC27	38	115/208-230	None		1.15		S, US, 53	
	3600	56C	113335.00	✓	850	U6C34DC51	36	115/208-230	Auto.	10.0	1.15	11.84	S, US	
1800	145TC	121184.00	C/A	829	C145C34DC4	37	115/208-230	None	10.0	1.15	12.28	S, US		
	56C	LM24507	✓	853	SRD4S2TLCN1B6028	48	115/208-230	None	10.5	1.15	13.44	S, MX, 53		
	56C	LM34060	✓	1,101	SRD4B2TLCN1B6028	49	115/208-230	None		1.15		S, MX, 53		
1800	145TC	120073.00	✓	822	C145K17DC4	49	115/208-230	None	10.5	1.15	13.28	S, US, 53		
	3	3600	56C	113334.00	✓	866	P6C34DC50	36	230	Auto.	15.0	1.00	11.84	S, US
	1800	184TC	131544.00	✓	956	C184C17DC5	73	115/208-230	None	16.9	1.15	14.19	S, MX	
5	3600	184TC	131777.00	✓	1,280	C184K34DC2	70	208-230	None	22.2	1.15	14.69	S, MX, 53	
	1800	184TC	131539.00	✓	1,331	C184K17DC6	81	230	None	21.0	1.15	14.69	S, MX, 53	

Single Phase
ODP Motors

Single Phase
TEFC Motors

Three Phase
ODP Motors

Three Phase
TEFC Motors

Inverter Duty
Motors

Severe Duty
Motors

Green items are Premium Efficient
"E" prefix items comply with SMR 2015

- ▼ LM Numbers are Lincoln Models
- D - Item to be discontinued once inventory is depleted
- C/A - Check Availability
- Specifications are subject to change without notice
- ♥ Note listing on inside back flap

Please view our on-line catalog for updated information that was unavailable at the time of this printing.

View On-line Technical Information



Single Phase - C Face Motors



Drip-Proof - Capacitor Start

Single Phase - Drip-Proof - C Face With Base

HP	SYN RPM 60 Hz	NEMA Frame	▼ Catalog Number	Stock	List Price	Model Number	App. Wgt. (lbs)	Voltage	Over-load Prot.	F. L. Amps @ 230 V	Service Factor	"C" Dim. (Inches)	♥Notes
1/3	1800	S56C	103023.00	D	423	C4C17DK32	18	115/208-230	None	3.3	1.35	9.24	S, MX
	1800	S56C	E103023.00	✓	530	C4K17DK2	19	115/208-230	None	1.9	1.35	10.97	S, MX, 53
	1800	S56C	103083.00	✓	423	M4C17DK37	18	115/208-230	Man.	3.3	1.35	9.24	S, MX
1/2	3600	S56C	103024.00	D	384	C4C34DK10	20	115/208-230	None	3.4	1.25	9.99	S, MX
	3600	S56C	E103024.00	✓	442	C4K34DK3	29	115/208-230	None	2.2	1.25	10.97	S, MX, 53
	1800	S56C	101651.00	D	511	C4C17DK18	21	115/208-230	None	4.4	1.25	9.99	S, MX
	1800	S56C	E101651.00	✓	569	C4K17DK5	30	115/208-230	None	2.3	1.25	11.47	S, MX, 53
3/4	1800	S56C	103084.00	✓	511	M4C17DK38	21	115/208-230	Man.	4.4	1.25	9.99	S, MX
	3600	S56C	103025.00	D	451	C4C34DK11	24	115/208-230	None	4.9	1.25	10.49	S, MX
	3600	S56C	E103025.00	✓	534	C4K34DK4	29	115/208-230	None	2.2	1.25	10.97	S, MX, 53
1	1800	56C	101650.00	D	592	C4C17DK19	27	115/208-230	None	5.4	1.25	10.99	S, MX
	1800	56C	E119350.00	✓	632	C6K17DK44	28	115/208-230	None		1.25		S, MX, 53
	1800	S56C	103086.00	✓	592	M4C17DK39	27	115/208-230	Man.	5.4	1.25	10.99	S, MX
1	3600	56C	116769.00	D	478	C6C34DK6	28	115/208-230	None	6.0	1.25	10.84	S, US
	3600	56C	E116769.00	✓	581	C6K34DK23	29	115/208-230	None		1.25		S, US, 53
	1800	56C	113930.00	D	677	C6C17DK11	34	115/208-230	None	6.4	1.15	10.88	S, US
	1800	56C	E113930.00	✓	725	C6K17DK45	35	115/208-230	None	4.2	1.15	12.88	S, MX, 53
1 1/2	3600	56C	116770.00	D	642	C6K34DK19	35	115/208-230	None	6.2	1.15	11.34	S, US, 53
	3600	56C	E116770.00	C/A	785	C6K34DK24	36	115/208-230	None		1.15		S, US, 53
	3600	56C	114214.00	✓	653	M6K34DK8	35	115/208-230	Man.	6.2	1.15	11.34	S, US, 53
	1800	56HC	113932.00	D	730	C6K17DK16	39	115/208-230	None	8.6	1.15	11.84	S, US, 53
	1800	56HC	E113932.00	✓	900	C6K17DK46	40	115/208-230	None	6.5	1.15	13.34	S, US, 53
	1800	56HC	113700.00	✓	863	M6K17DK15	38	115/208-230	Man.	7.2	1.15	11.84	S, US, 53
2	3600	56C	116771.00	✓	816	C6K34DK20	35	115/208-230	None	8.6	1.15	11.34	S, US, 53
	3600	56C	E116771.00	✓	996	C6K34DK25	36	115/208-230	None		1.15		S, US, 53
	3600	56C	114215.00	D	829	P6K34DK9	35	115/208-230	Man.	8.6	1.15	11.34	S, US, 53
	1800	56HC	113281.00	✓	893	P6K17DK12	45	115/208-230	Man.	8.6	1.15	12.88	S, US, 53
3	1800	145TC	120992.00	✓	781	C145K17DK7	45	115/230	None	10.5	1.15	13.28	S, US, 53
	3600	56HC	116707.00	✓	905	M6C34DK5	41	230	Man.	15.0	1.00	12.38	S, US
	3600	182TC	132083.00	C/A	1,019	C182K34DK2	74	115/208-230	None	14.0	1.15	14.18	S, MX, 53
5	1800	184TC	131629.00	✓	1,087	P184C17DK3	70	115/208-230	Man.	16.9	1.15	14.19	S, MX
	1800	184TC	131853.00	✓	1,086	C184K17DK18	87	208-230	Man.	15.4	1.15	15.96	S, MX, 53
	3600	56HC	116709.00	✓	926	P6K34DK18	46	230	Man.	20.8	1.00	13.34	S, US, 53
7 1/2	3600	184TC	131781.00	✓	1,285	C184K34DK4	70	208-230	None	22.2	1.15	14.19	S, MX, 53
	1800	184TC	131630.00	✓	1,335	M184K17DK13	77	208-230	Man.	21.0	1.15	14.69	S, MX, 53
	1800	215TC	132043.00	✓	1,332	C184K34DK8	112	208-230	T-stats	31.0	1.15	16.69	S, MX, 53
7 1/2	1800	215TC	140806.00	✓	1,372	C215K17DB5	120	208-230	None	36.0	1.15	17.26	S, MX, 53

Green items are Premium Efficient
 "E" prefix items comply with SMR 2015

C/A - Check Availability

D - Item to be discontinued once inventory is depleted

Specifications are subject to change without notice

♥ Note listing on inside back flap

Please view our on-line catalog for updated information that was unavailable at the time of this printing.



View On-line Technical Information





Single Phase ODP Motors



Capacitor Start / Capacitor Run – General Purpose Rigid Base – C Face Less Base – C Face With Base Premium Efficient

Motors for Small Motor Rule (SMR) 2015

- These motors comply with the DOE Small Motor Rule 2010
- This rule takes effect on March 9, 2015

Single Phase – Drip-Proof – Rigid Base

HP	SYN RPM 60 Hz	NEMA Frame	▼ Catalog Number	Stock	List Price	Model Number	App. Wgt. (lbs)	Voltage	Over-load Prot.	F. L. Amps @ 230 V	% F. L. Eff.	Service Factor	"C" Dim. (Inches)	♥ Notes
1/3	3600	S56	E100336.00	√	381	C4K34DH6	29	115/208-230	None	1.5	69.5	1.35	10.09	S, MX, 53
	1800	S56	E100006.00	√	485	C4K17DH5	19	115/208-230	None	1.9	73.4	1.35	10.97	S, MX, 53
	1200	56	E110001.00	√	659	C4K11DH1	32	115/208-230	None		71.4	1.35		S, US, 53
1/2	3600	48	E100184.00	√	410	C4K34DB1	29	115/208-230	None	2.2	73.4	1.25	10.59	S, MX, 53
	3600	S56	E100337.00	√	421	C4K34DH5	29	115/208-230	None	2.2	73.4	1.25	10.97	S, MX, 53
	1800	48	E100338.00	√	532	C4K17DB5	30	115/208-230	None	2.3	78.4	1.25	11.06	S, MX, 53
	1800	S56	E100007.00	√	532	C4K17DH6	30	115/208-230	None	2.3	78.4	1.25	11.47	S, MX, 53
3/4	1200	56	E110002.00	√	997	C6K11DB5	33	115/208-230	None		75.3	1.25		S, US, 53
	3600	S56	E100340.00	√	503	C4K34DH4	31	115/208-230	None	3.6	76.8	1.25	11.47	S, MX, 53
	1800	56	E119348.00	√	614	C6K17DB51	27	115/208-230	None		81.1	1.25		S, MX, 53
1	1200	56H	E110003.00	√	1040	C6K11DB6	45	115/208-230	None		81.7	1.15		S, US, 53
	3600	56	E110360.00	√	541	C6K34DB31	29	115/208-230	None		77.0	1.25		S, US, 53
1 1/2	1800	56	E110004.00	√	706	C6K17DB52	29	115/208-230	None	4.2	83.5	1.15	12.88	S, US, 53
	3600	56	E110361.00	√	754	C6K34DB32	30	115/208-230	None		84.0	1.15		S, US, 53
2	1800	56H	E110005.00	√	916	C6K17DB53	38	115/208-230	None	6.5	86.5	1.15	13.34	S, US, 53
	3600	56	E110363.00	√	989	C6K34DB33	38	115/208-230	None		85.5	1.15		S, US, 53

Green items are Premium Efficient
"E" prefix items comply with SMR 2015

Specifications are subject to change without notice

♥ Note listing on inside back flap

Please view our on-line catalog for updated information that was unavailable at the time of this printing.

View On-line Technical Information



Tech Information

Single Phase ODP Motors

Single Phase TEFC Motors

Three Phase ODP Motors

Three Phase TEFC Motors

Inverter Duty Motors

Severe Duty Motors

Single Phase ODP Motors

ecoSaver™

**Capacitor Start / Capacitor Run – General Purpose
Rigid Base – C Face Less Base – C Face With Base
Premium Efficient**



Single Phase – Drip-Proof – C Face Less Base

HP	SYN RPM 60 Hz	NEMA Frame	▼ Catalog Number	Stock	List Price	Model Number	App. Wgt. (lbs)	Voltage	Over-load Prot.	F. L. Amps @ 230 V	% F. L. Eff.	Service Factor	"C" Dim. (Inches)	♥ Notes
1/4	1800	S56C	E100023.00	✓	457	C4K17DC13	18	115/208-230	None	1.2	69.5	1.35	10.69	S, MX, 53
1/3	3600	S56C	E100354.00	✓	401	C4K34DC4	29	115/208-230	None	1.5	69.5	1.35	10.09	S, MX, 53
	1800	S56C	E100024.00	✓	531	C4K17DC12	19	115/208-230	None	1.9	73.4	1.35	10.97	S, MX, 53
	1800	S56C	LM34059	✓	550	SRD4B0.33TLCN1C6028	18	115/208-230	None		73.4	1.35		S, MX, 53
1/2	3600	S56C	E100356.00	✓	436	C4K34DC3	29	115/208-230	None	2.2	73.4	1.25	10.59	S, MX, 53
	1800	S56C	E100025.00	✓	549	C4K17DC14	30	115/208-230	None	2.3	78.2	1.25	11.47	S, MX, 53
	1200	56C	E110381.00	✓	1,019	C6K11DC5	33	115/208-230	None		75.3	1.25		S, MX, 53
3/4	3600	S56C	E100357.00	✓	532	C4K34DC5	31	115/208-230	None	3.6	76.8	1.25	11.47	S, MX, 53
	1800	56C	E119349.00	✓	635	C6K17DC50	25	115/208-230	None		81.1	1.25		S, MX, 53
	1200	56C	E110382.00	✓	1,096	C6K11DC6	47	115/208-230	None		81.7	1.15		S, US, 53
1	3600	56C	E110384.00	✓	579	C6K34DC25	29	115/208-230	None		77.0	1.25		S, US, 53
	1800	56C	E110220.00	✓	714	C6K17DC51	31	115/208-230	None	4.2	83.5	1.15	12.88	S, US, 53
1 1/2	3600	56C	E110387.00	✓	786	C6K34DC26	29	115/208-230	None		84.0	1.15		S, US, 53
	1800	56C	E110388.00	✓	919	C6K17DC52	39	115/208-230	None	6.5	86.5	1.15	13.34	S, US, 53
2	3600	56C	E110390.00	✓	1,014	C6K34DC27	38	115/208-230	None		85.5	1.15		S, US, 53
	1800	56C	LM34060	✓	1,101	SRD4B2TLCN1B6028	49	115/208-230	None		86.5	1.15		S, MX, 53

Green items are Premium Efficient

Specifications are subject to change without notice

♥ Note listing on inside back flap

Please view our on-line catalog for updated information that was unavailable at the time of this printing.

Single Phase – Drip-Proof – C Face With Base

HP	SYN RPM 60 Hz	NEMA Frame	▼ Catalog Number	Stock	List Price	Model Number	App. Wgt. (lbs)	Voltage	Over-load Prot.	F. L. Amps @ 230 V	% F. L. Eff.	Service Factor	"C" Dim. (Inches)	♥ Notes
1/3	1800	S56C	E103023.00	✓	530	C4K17DK2	19	115/208-230	None	1.9	73.4	1.35	10.97	S, MX, 53
1/2	3600	S56C	E103024.00	✓	442	C4K34DK3	29	115/208-230	None	2.2	73.4	1.25	10.59	S, MX, 53
	1800	S56C	E101651.00	✓	569	C4K17DK5	30	115/208-230	None	2.3	78.2	1.25	11.47	S, MX, 53
3/4	3600	S56C	E103025.00	✓	534	C4K34DK4	31	115/208-230	None	3.6	76.8	1.25	11.47	S, MX, 53
	1800	56C	E119350.00	✓	632	C6K17DK44	28	115/208-230	None		81.1	1.25		S, MX, 53
1	3600	56C	E116769.00	✓	581	C6K34DK23	29	115/208-230	None		77.0	1.25		S, US, 53
	1800	56C	E113930.00	✓	725	C6K17DK45	35	115/208-230	None	4.2	83.5	1.15	12.88	S, US, 53
1 1/2	3600	56C	E116770.00	✓	785	C6K34DK24	36	115/208-230	None		84.0	1.15		S, US, 53
	1800	56HC	E113932.00	✓	900	C6K17DK46	40	115/208-230	None	6.5	86.5	1.15	13.34	S, US, 53
2	3600	56C	E116771.00	✓	996	C6K34DK25	36	115/208-230	None		85.5	1.15		S, US, 53

Green items are Premium Efficient

"E" prefix items comply with SMR 2015

Specifications are subject to change without notice

♥ Note listing on inside back flap

Please view our on-line catalog for updated information that was unavailable at the time of this printing.



View On-line Technical Information



Single Phase ODP Motors

Wattsaver® Premium Efficiency Fan Motors

Features Include:

- Premium Efficient
- Class F insulation
- Terminal boards
- Shielded ball bearings



Single Phase – Drip-Proof – Resilient Base

HP	SYN RPM 60 Hz	NEMA Frame	Catalog Number	Stock	List Price	Model Number	App. Wgt. (lbs)	Voltage	Over-load Prot.	F. L. Amps @ 115 V	Service Factor	% F. L. Eff.	"C" Dim. (Inches)	♥ Notes
1/4	1800	48	101602.00	√	417	A4K17DR7	19	115	Auto.	2.5	1.35	71.0	10.39	S, MX, 32, 53
1/3	1800	48	101405.00	√	493	A4K17DR5	19	115	Auto.	3.2	1.35	75.0	10.39	S, MX, 32, 53
1/2	1800	48	101585.00	√	564	A4K17DR6	25	115	Auto.	4.6	1.35	76.0	11.39	S, MX, 32, 53

Green items are Premium Efficient

Specifications are subject to change without notice

♥ Note listing on inside back flap

Tech Information

Single Phase ODP Motors

Single Phase TEFC Motors

Three Phase ODP Motors

Three Phase TEFC Motors

Inverter Duty Motors

Severe Duty Motors

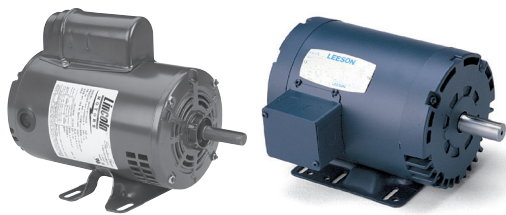
View On-line Technical Information



Single Phase ODP Motors

Compressor Duty Motors –

Compressor – Pump and Fan & Blower Duty



General Specifications:

Motors designed for air compressor, pump, fan and blower duty applications which require high breakdown torque and rugged mechanical construction.

Mechanical Features:

- Double shielded ball bearings
- Designed for belted loads

Electrical Features:

- High efficient Class "F" copper windings
- High starting and breakdown torque
- Dual rotation

Single Phase – Drip-Proof – Rigid Base

HP	SYN RPM 60 Hz	NEMA Frame	▼ Catalog Number	Stock	List Price	Model Number	App. Wgt. (lbs)	Voltage	Over-load Prot.	F. L. Amps @ 230 V	Service Factor	"C" Dim. (Inches)	♥ Notes
1	3600	56	110160.00	✓	457	M6C34DB6	27	115/230	Man.	6.7	SPEC	11.38	S, US
	1800	143T	120044.00	✓	622	C143C17DB3	38	115/208-230	None	6.4	1.15	11.28	S, US
	1800	143T	120003.00	✓	654	M143C17DB2	33	115/208-230	Man.	6.4	1.15	11.13	S, US
1 1/2	3600	56	110161.00	✓	501	P6C34DB7	33	115/230	Man.	10.0	SPEC	11.88	S, US
	1800	145T	120042.00	✓	687	C145K17DB5	38	115/208-230	None	8.6	1.15	12.28	S, US, 53
	1800	145T	LM24687	C/A	721	SSD4S1.5T1C602	41	115/208-230	None	8.6	1.15	12.49	S, US
2	1800	145T	120004.00	✓	873	P145K17DB3	40	115/208-230	Man.	8.6	1.15	12.28	S, US, 53
	3600	56	110232.00	✓	523	M6C34DB11	33	115/230	Man.	11.0	SPEC	11.88	S, US
	1800	182T	131515.00	✓	849	C182C17DB8	56	115/208-230	None	12.4	1.15	13.19	S, MX
3	1800	182T	131536.00	✓	909	P182C17DB10	63	115/208-230	Man.	8.8	1.15	10.66	S, MX
	3600	56Y	110222.00	✓	586	M6C34DB13	38	230	Man.	15.0	1.15	12.38	S, US, 36
	1800	184T	131534.00	✓	919	C184C17DB19	69	115/230	None	16.9	1.15	14.19	S, MX
5SPL	3600	56	116523.00	✓	707	P6K34DB22	35	208-230	Man.	15.0	1.00	11.44	S, US, 53, ♦
5	3600	56Y	111275.00	✓	729	P6K34DB5	44	230	Man.	20.8	1.00	13.34	S, US, 36, 53
	3600	56Y	116789.00	✓	751	P6K34DB27	45	230	Man.	20.8	1.00	12.38	S, US, 10, 53
	3600	145T	120554.00	✓	737	P145K34DB1	46	230	Man.	20.8	1.00	13.12	S, US, 53
7 1/2	1800	184T	131537.00	✓	1103	C184K17DB31	83	230	None	21.0	1.15	14.69	S, MX, 53
	1800	184T	LM24682	✓	1127	SSD4S5T1B600	87	208-230	None	21.0	1.15	14.69	S, MX, 53
	1800	184T	131622.00	✓	1319	P184K17DB33	82	230	Man.	21.0	1.15	14.69	S, MX, 53
10	3600	184T	132044.00	✓	1062	C184K34DB8	110	208-230	Tstat	31.0	1.15	16.69	S, MX, 53
	3600	213T	140680.00	✓	1794	C213K34DB1	112	208-230	None	29.5	1.15	16.55	S, MX, 53
	1800	215T	140155.00	✓	1566	C215K17DB2	113	230	None	36.0	1.15	17.26	S, MX, 53
10	1800	215T	LM24683	✓	1652	SS215D4S7.5T1B600	118	208-230	None	36.0	1.15	17.26	S, MX, 53
	3600	215T	140681.00	✓	2268	C215K34DB1	135	208-230	None	37.0	1.15	18.05	S, MX, 53
	1800	215TZ	140311.00	✓	2289	C215K17DB4	140	230	None	43.0	1.25	19.76	S, MX, 53
1800	215TZ	LM24684	✓	2345	SSD4S10T1B600	140	208-230	None	43.0	1.15	19.76	S, MX, 53	

♥ Note listing on inside back flap

Specifications are subject to change without notice

Note ♦ - 3 HP Continuous Duty and 5 HP Breakdown Torque
Note 10 - Motor has a base with 182T mounting holes and a 4.5 inch shaft height

Note 36 - Special BA dimension of 2.31 for belt guard clearance

▼ LM Numbers are Lincoln Models

C/A - Check Availability



View On-line Technical Information



Single Phase ODP Motors

Pressure Washer Pump Motors

Tech Information

Single Phase ODP Motors

Single Phase TEFC Motors

Three Phase ODP Motors

Three Phase TEFC Motors

Inverter Duty Motors

Severe Duty Motors

General Specifications:

Motors specially suited for hot or cold pressure washer applications and other single phase installations requiring minimum starting and running amperages. Capacitor start, capacitor run construction for reduced amperage.



Mechanical Features:

- Double shielded ball bearings
- Dynamically balanced rotors

Electrical Features:

- Windings dipped in heavy duty varnish system
- Capacitor start / capacitor run designs to reduce amp draw
- Manual reset overload protection
- High service factor

Single Phase – Drip-Proof – Rigid Base

HP	SYN RPM 60 Hz	NEMA Frame	Catalog Number	Stock	List Price	Model Number	App. Wgt. (lbs)	Voltage	Over-load Prot.	F. L. Amps @ 230 V	Service Factor	"C" Dim. (Inches)	♥ Notes
3/4	3600	S56	100053.00	√	447	M4C34DH3	24	115/208-230	Man.	4.9	1.25	10.49	S, MX
	1800	S56	101544.00	C/A	646	M4K17DH2	28	115/208-230	Man.	4.0	1.25	11.24	S, US, 53
1	3600	56	110097.00	√	462	M6C34DB3	27	115/208-230	Man.	6.0	1.25	10.84	S, US
	1800	56	113630.00	√	701	M6K17DB33	31	115/208-230	Man.	5.3	1.15	10.84	S, US, 53
1 1/2	3600	56	113631.00	√	613	M6K34DB15	36	115/208-230	Man.	6.2	1.15	11.34	S, US, 53
	1800	56H	113266.00	√	817	M6K17DB30	42	115/208-230	Man.	6.7	1.15	12.38	S, US, 6, 53
	1800	145T	120004.00	√	873	P145K17DB3	40	115/208-230	Man.	8.6	1.15	12.28	S, US, 53
2	3600	56	113632.00	D	828	P6K34DB16	36	115/208-230	Man.	8.6	1.15	11.34	S, US, 53
	1800	56H	116704.00	D	873	P6K17DB47	45	115/208-230	Man.	8.6	1.15	12.88	S, US, 6, 53
	1800	145T	120879.00	√	918	P145K17DB38	53	115/208-230	Man.	8.6	1.15	13.31	S, US, 53
3	3600	56H	116706.00	√	880	M6C34DB75	39	230	Man.	15.0	1.00	12.38	S, US, 6
	1800	184T	131851.00	C/A	1086	184TBDR7675A	72	208-230	Man.	13.7	1.15	15.22	S, MX, 9
5	3600	56H	116708.00	√	900	P6K34DB26	45	230	Man.	20.8	1.00	13.34	S, US, 6, 53
	1800	184T	131622.00	√	1319	P184K17DB33	82	208-230	Man.	21.0	1.15	14.69	S, MX

C/A - Check Availability
 D-Item to be discontinued once inventory is depleted
 Specifications are subject to change without notice
 ♥ Note listing on inside back flap

View On-line Technical Information



Single Phase ODP Motors



Resilient Base Motors – General Purpose or Fan Duty

General Specifications:

- Industrial quality resilient base
- Belt driven fans or fan on shaft applications
- Moderate starting torque
- Self ventilated designs



Drip-Proof – Single Phase – Resilient Base

HP	SYN RPM 60 Hz	NEMA Frame	Catalog Number	Stock	List Price	Model Number	App. Wgt. (lbs)	Voltage	Over-load Prot.	F. L. Amps @ 230 V	Service Factor	"C" Dim. (Inches)	♥ Notes	
1/4	3600	48	101434.00	✓	320	A4C34DR8	16	115/208-230	Auto.	2.0	1.00	9.39	S, MX	
	1800	48	100109.00	✓	376	A4C17DR1	17	115/208-230	Auto.	2.7	1.35	9.89	S, MX	
	1800	48	100111.00	✓	325	A4C17DR3	17	115/208-230	Auto.	2.7	1.00	9.89	S, MX	
	1800	48	102963.00	✓	376	A4C17DR47	17	277	Auto.	2.2*	1.35	9.89	S, MX	
1/3	3600	48	101431.00	✓	329	A4C34DR11	17	115/208-230	Auto.	2.3	1.00	9.39	S, MX	
	1800	48	100110.00	✓	459	A4C17DR2	18	115/208-230	Auto.	3.3	1.35	9.89	S, MX	
	1800	48	101015.00	✓	376	A4C17DR31	18	115/208-230	Auto.	3.3	1.00	9.89	S, MX	
	1800	S56	100014.00	D	432	C4C17DJ5	19	115/208-230	None	3.3	1.35	10.31	S, MX	
	1800	S56	E100014.00	✓	541	C4K17DJ9	20	115/208-230	None	1.9	1.35	10.97	S, MX,53	
	1800	S56	100010.00	✓	459	A4C17DJ2	18	115/208-230	Auto.	3.3	1.35	10.31	S, MX	
	1800	S56	100063.00	✓	376	A4C17DJ9	19	115/208-230	Auto.	3.3	1.00	10.31	S, MX	
	1800	S56	102964.00	✓	459	A4C17DJ72	18	277	Auto.	2.8*	1.35	10.31	S, MX	
1/2	3600	48	101432.00	✓	363	A4C34DR10	20	115/208-230	Auto.	3.4	1.00	9.89	S, MX	
	1800	S56	100015.00	D	466	C4C17DJ6	21	115/208-230	None	4.4	1.25	10.81	S, MX	
	1800	S56	E100015.00	✓	558	C4K17DJ10	22	115/208-230	None	2.3	1.25	11.47	S, MX,53	
	1800	S56	100045.00	✓	447	M4C17DJ17	20	115/208-230	Man.	4.4	1.00	10.81	S, MX	
	1800	S56	101611.00	✓	494	A4C17DJ57	22	115/208-230	Auto.	4.4	1.25	10.81	S, MX, 32	
	1800	S56	100011.00	✓	494	A4C17DJ3	22	115/208-230	Auto.	4.4	1.25	10.81	S, MX	
	1800	S56	100064.00	✓	449	A4C17DJ10	20	115/208-230	Auto.	4.4	1.00	10.81	S, MX	
	1800	S56	102965.00	✓	494	A4C17DJ74	22	277	Auto.	3.7*	1.25	10.81	S, MX	
	3/4	3600	48	101433.00	✓	427	A4C34DR9	22	115/208-230	Auto.	4.8	1.00	10.39	S, MX
		3600	S56H	100603.00	✓	455	A4C34DJ7	26	115/208-230	Auto.	4.9	1.25	11.31	S, MX
1800		S56H	100016.00	D	585	C4C17DJ7	26	115/208-230	None	5.4	1.25	11.81	S, MX	
1800		S56H	E100016.00	✓	643		27	115/208-230	None				S, MX,53	
1800		S56H	100046.00	✓	611	M4C17DJ18	26	115/208-230	Man.	5.4	1.25	11.81	S, MX	
1800		S56H	100047.00	✓	511	M4C17DJ19	25	115/208-230	Man.	5.5	1.00	11.81	S, MX	
1800		S56H	101839.00	✓	611	A4C17DJ67	28	115/208-230	Auto.	5.4	1.25	11.81	S, MX, 32	
1800		S56H	100012.00	✓	611	A4C17DJ4	26	115/208-230	Auto.	5.4	1.25	11.81	S, MX	
1800		S56H	100065.00	✓	506	A4C17DJ11	25	115/208-230	Auto.	5.5	1.00	11.81	S, MX	
1800		S56H	102966.00	✓	611	A4C17DJ73	26	277	Auto.	4.5*	1.25	11.81	S, MX	
1	3600	56H	110478.00	✓	525	A6C34DR6	28	115/208-230	Auto.	6.0	1.25	11.85	S, US	
	1800	56H	113027.00	D	637	C6C17DR37	30	115/208-230	None	6.4	1.15	11.81	S, US	
	1800	56H	E113027.00	✓	693	C6K17DR43	31	115/208-230	None	4.2	1.15	12.88	S, MX,53	
	1800	56H	110007.00	✓	662	A6C17DR1	29	115/208-230	Auto.	6.4	1.15	11.81	S, US	
	1800	56H	110054.00	✓	647	A6C17DR2	32	115/208-230	Auto.	6.4	1.00	11.81	S, US	
	1800	56H	116599.00	✓	662	A6C17DR54	29	277	Auto.	5.4*	1.20	11.82	S, US	
1 1/2	3600	56H	110479.00	✓	675	A6C34DR7	30	115/230	Auto.	8.2	1.15	11.82	S, US	
	1800	56H	110579.00	✓	801	A6K17DR6	38	115/208-230	Auto	7.2	1.15	12.82	S, US, 6, 53	
	1800	56H	116600.00	C/A	801	A6K17DR41	38	277	Auto	6.0*	1.15	12.82	S, US	
2	3600	56H	113633.00	D	845	U6C34DR21	38	115/208-230	Auto.	10.0	1.15	13.82	S, US	
	1800	56H	113608.00	✓	853	A6K17DR28	45	115/208-230	Auto.	10.0	1.15	13.81	S, US, 6, 53	
	1800	56H	116601.00	✓	853	A6K17DR42	45	277	Auto.	8.7*	1.15	13.82	S, US	



Please view our on-line catalog for updated information that was unavailable at the time of this printing.

View On-line Technical Information

Green items are Premium Efficient "E" prefix items comply with SMR 2015

* F.L. Amps at 277V

Specifications are subject to change without notice

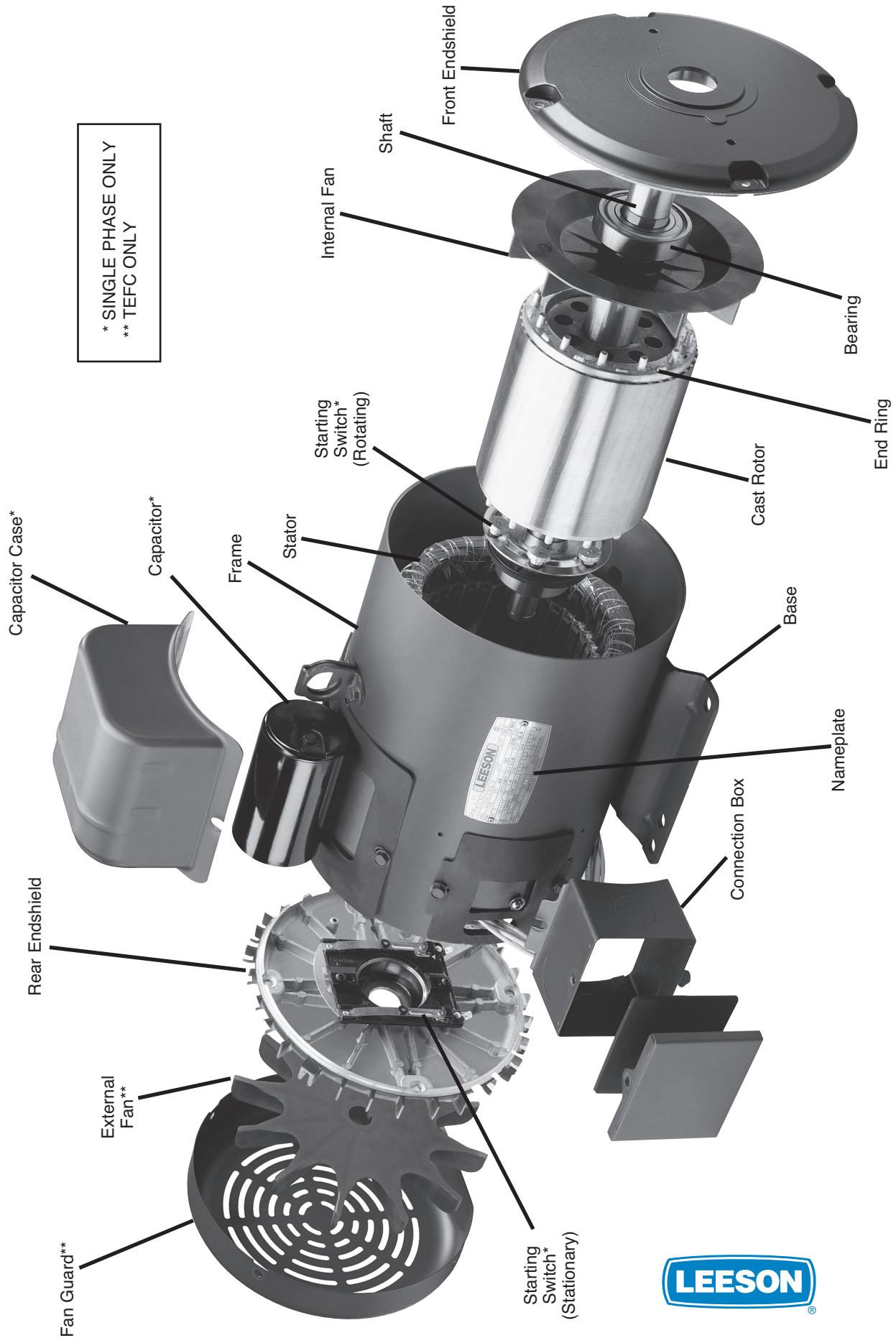
♥ Note listing on inside back flap

D-Item to be discontinued once inventory is depleted

C/A - Check Availability



Major Components of an Electric Motor



Tech Information

Single Phase
ODP Motors

Single Phase
TEFC Motors

Three Phase
ODP Motors

Three Phase
TEFC Motors

Inverter Duty
Motors

Severe Duty
Motors

Single Phase TEFC Motors

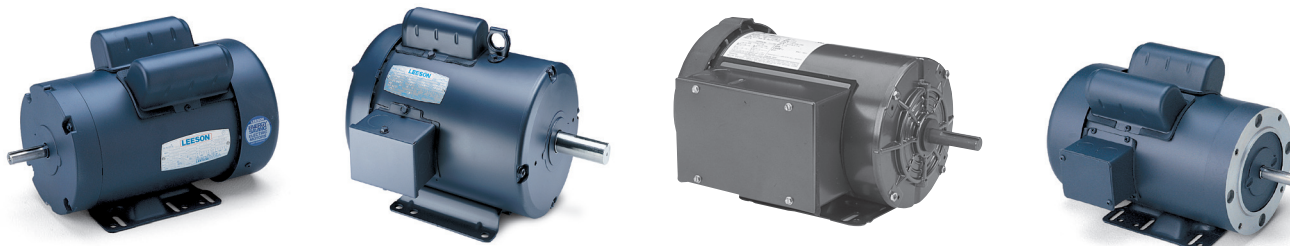
Standard and Premium Efficiency –

General Purpose – 115/208-230 Volt

Rigid Mount – 1/12 HP – 10 HP – 42 through 215T frame

Resilient Mount – ½ HP – 1 HP – 56 frame

C Face Motors - 1/6 HP - 10 HP - 48 through 215TC



- Durable rolled steel construction
- NEMA Design B performance
- Meets or exceed NEMA service factors
- Double shielded ball bearings
- Continuous duty
- Thermally protected ratings
- 1-year warranty on general purpose motors
- 3-year warranty on Premium efficient motors
- UL recognized component listing and CSA certified

Applications:

For use where exposure to water, dust and dirt exists. Ideally suited for use on pumps, compressors, fans, conveyors and other industrial equipment.



Single Phase TEFC Motors

Capacitor Start – General Purpose

Tech Information

Single Phase
ODP Motors

Single Phase
TEFC Motors

Three Phase
ODP Motors

Three Phase
TEFC Motors

Inverter Duty
Motors

Severe Duty
Motors

Single Phase - TEFC - Rigid Base

HP	SYN RPM 60 Hz	NEMA Frame	▼ Catalog Number	Stock	List Price	Model Number	App. Wgt. (lbs)	Voltage	Over- load Prot.	F. L. Amps @ 230 V	Service Factor	"C" Dim. (Inches)	♥ Notes	
1/12	1800	42	092111.00	√	328	C42C17FB3	14	115/208-230	None	1.1	1.15	8.94	S, US	
1/8	1800	42	092114.00	√	340	C42C17FB2	16	115/208-230	None	1.6	1.15	9.44	S, US	
1/6	1800	42	092116.00	√	373	C42C17FB1	17	115/208-230	None	2.1	1.15	9.44	S, US	
	1800	48	102012.00	√	370	C4C17FB23	17	115/208-230	None	2.0	1.15	9.06	S, MX	
	1200	48	102013.00	√	525	C4C11FB3	23	115/208-230	None	1.9	1.15	10.31	S, MX	
1/4	3600	42	092112.00	√	378	C42C34FB3	19	115/208-230	None	2.1	1.15	9.94	S, US	
	1800	48	102014.00	√	363	C4C17FB21	20	115/208-230	None	2.7	1.15	9.06	S, MX	
	1800	48	101446.00	√	418	M4C17FB10	18	115/208-230	Man.	2.7	1.15	9.06	S, MX	
	1800	S56	LM24606	C/A	494	SRF4S0.25T1C6028	18	115/208-230	None	2.1	1.15	10.22	S, MX	
	1200	48	102015.00	√	559	C4C11FB4	23	115/208-230	None	3.2	1.15	11.31	S, MX	
1/3	1200	56	114617.00	√	589	C6C11FB7	30	115/208-230	None	2.8	1.15	11.81	S, US	
	3600	48	102016.00	√	347	C4C34FB10	21	115/208-230	None	2.8	1.15	9.06	S, MX	
	1800	48	100955.00	√	402	C4C17FB3	19	115/208-230	None	3.3	1.15	9.56	S, MX	
	1800	48	102018.00	√	461	M4C17FB22	20	115/208-230	Man.	3.3	1.15	9.56	S, MX	
	1800	S56	102931.00	√	400	C4C17FH31	23	115/208-230	None	3.1	1.15	10.44	S, MX	
	1800	56	LM24597	√	422	SRF4S0.33T1C6028	19	115/208-230	None	3.1	1.15	10.44	S, MX	
	1800	S56	102933.00	√	457	M4C17FH33	23	115/208-230	Man.	3.1	1.15	10.44	S, MX	
	1800	S56	LM24602	C/A	482	SRF3S0.33T1C6028TP1	20	115/208-230	Man.	3.0	1.15	10.47	S, MX	
	1800	S56	102932.00	√	472	A4C17FH32	23	115/208-230	Auto.	3.1	1.15	10.44	S, MX	
	1800	56	113765.00	√	555	M6K17FB33	27	115/208-230	Man.	1.7	1.15	10.81	S, US, 53	
	1200	48	102019.00	√	616	C4C11FB5	28	115/208-230	None	3.1	1.00	11.56	S, MX	
	1200	56	110009.00	√	616	C6C11FB1	34	115/208-230	None	3.6	1.00	12.31	S, US	
	1200	56	LM24546	√	646	SRF6S0.33T1C6028	28	115/208-230	None	3.9	1.15	12.32	S, MX	
	1/2	3600	48	102020.00	√	396	C4C34FB9	27	115/208-230	None	3.5	1.15	9.31	S, MX
		3600	S56	102905.00	√	394	C4C34FH8	22	115/208-230	None	3.5	1.15	9.94	S, MX
3600		56	LM24706	C/A	414	SRF2S0.5T1C6028	23	115/208-230	None	4.2	1.15	11.82	S, MX	
3600		S56	102904.00	√	422	M4C34FH7	25	115/208-230	Man.	3.5	1.15	9.94	S, MX	
3600		56	LM24743	√	443	SRF2S0.5T1C6028TP1	23	115/208-230	Man.	4.2	1.15	11.82	S, MX	
1800		48	100956.00	√	461	C4C17FB4	22	115/208-230	None	4.0	1.15	10.31	S, MX	
1800		S56	102906.00	√	457	C4C17FH28	22	115/208-230	None	4.0	1.15	10.69	S, MX	
1800		S56	LM24627	√	482	SRF4S0.5T1C6028	24	115/208-230	None	4.0	1.15	11.22	S, MX	
1800		S56	102909.00	√	535	M4C17FH30	22	115/208-230	Man.	4.0	1.15	10.69	S, MX	
1800		S56	LM24604	C/A	566	SRF2S0.5T1C6028TP1	24	115/208-230	Man.	4.0	1.15	11.22	S, MX	
1800		S56	102908.00	√	548	A4C17FH29	25	115/208-230	Auto.	4.0	1.15	10.69	S, MX	
1800		56	113766.00	√	616	M6K17FB34	30	115/208-230	Man.	2.5	1.15	11.31	S, US, 53	
1200	56	110011.00	√	877	C6C11FB2	38	115/208-230	None	4.9	1.00	12.81	S, US		

Green items are Premium Efficient

♥ Note listing on inside back flap

▼ LM Numbers are Lincoln Models

Continued On Next Page

C/A - Check Availability

Specifications are subject to change without notice

View On-line Technical Information



Single Phase TEFC Motors

Capacitor Start – General Purpose

Single Phase - TEFC - Rigid Base

HP	SYN RPM 60 Hz	NEMA Frame	▼ Catalog Number	Stock	List Price	Model Number	App. Wgt. (lbs)	Voltage	Over-load Prot.	F. L. Amps @ 230 V	Service Factor	"C" Dim. (Inches)	♥ Notes	
3/4	3600	56	110276.00	√	443	C6C34FB15	26	115/208-230	None	5.0	1.15	11.31	S, US	
	3600	56	110108.00	√	471	M6C34FB7	26	115/208-230	Man.	5.0	1.15	11.31	S, US	
	3600	56	LM24744	√	490	SRF2S0.75T1C6028TP1	26	115/208-230	Man.	5.3	1.15	12.32	S, MX	
	1800	56	110013.00	√	548	C6C17FB2	29	115/208-230	None	5.4	1.15	11.31	S, US	
	1800	56	LM24607	√	572	SRF4S0.75T1C6028	30	115/208-230	None	5.5	1.15	12.32	S, MX	
	1800	56	110022.00	√	640	M6C17FB7	29	115/208-230	Man.	5.4	1.15	11.31	S, US	
	1800	56	110017.00	√	669	A6C17FB4	26	115/208-230	Auto.	5.4	1.15	11.31	S, US	
	1800	56	113767.00	√	727	M6K17FB35	35	115/208-230	Man.	3.2	1.15	11.81	S, US, 53	
1	1200	56H	110400.00	√	1015	C6K11FB1	43	115/208-230	None	5.3	1.00	13.31	S, US, 53	
	1200	56	LM24497	√	1062	SRF6S0.75T1B6028	41	115/208-230	None	5.7	1.15	13.82	S, MX, 53	
	3600	56	110059.00	√	516	C6C34FB5	28	115/208-230	None	6.0	1.15	11.81	S, US	
	3600	56	110142.00	√	576	M6C34FB2	28	115/208-230	Man.	6.0	1.15	11.81	S, US	
	3600	56	LM24745	√	606	SRF2S1T1C6028TP1	31	115/208-230	Man.	6.2	1.15	12.32	S, MX	
	1800	56	110209.00	√	629	C6C17FB17	30	115/208-230	None	7.0	1.15	11.81	S, US	
	1800	56	LM24610	√	660	SRF4SITIC6028	32	115/208-230	None	6.7	1.15	12.82	S, MX	
	1800	56	110023.00	√	724	M6C17FB8	29	115/208-230	Man.	6.4	1.15	11.81	S, US	
Three Phase TEFC Motors	1800	56	110018.00	√	748	A6C17FB5	29	115/208-230	Auto.	6.4	1.15	12.31	S, US	
	1800	56	113768.00	√	834	M6K17FB36	37	115/208-230	Man.	4.2	1.15	12.31	S, US, 53	
	1800	143T	120025.00	√	693	C143C17FB3	34	115/208-230	None	6.4	1.15	12.75	S, US	
	1800	143T	LM24709	C/A	726	SSF4S1T1C6028	34	115/208-230	None	6.7	1.15	12.87	S, MX	
	1800	143T	120008.00	√	724	M143C17FB2	31	115/208-230	Man.	6.4	1.15	12.75	S, US	
	1200	145T	120043.00	√	1162	C145K11FB1	49	115/230	None	6.7	1.00	14.25	S, US, 53	
	1 1/2	3600	56	110094.00	√	677	C6C34FB6	32	115/208-230	None	8.5	1.00	12.31	S, US
		3600	56H	LM24531	√	707	SRF2S1.5T1B6028	35	115/208-230	None	7.1	1.15	12.82	S, MX, 53
3600		56	110109.00	√	793	M6C34FB8	31	115/208-230	Man.	8.5	1.00	12.31	S, US	
3600		56H	LM24532	√	829	SRF2S1.51B6028TP1	35	115/208-230	Man.	7.1	1.15	12.82	S, MX, 53	
3600		143T	120130.00	√	677	C143C34FB1	36	115/208-230	None	8.5	1.00	13.25	S, US	
3600		143T	LM24710	C/A	707	SRF4S1.5T1B6028	39	115/208-230	None	7.1	1.15	12.87	S, MX, 53	
1800		56H	110253.00	√	714	C6K17FB9	38	115/208-230	None	8.6	1.00	12.81	S, US, 53	
1800		56H	LM24513	√	746	SSF4S1.5T1B6028	41	115/208-230	None	7.6	1.15	13.82	S, MX, 53	
Severe Duty Motors	1800	56H	113333.00	√	820	M6K17FB32	38	115/208-230	Man.	8.6	1.00	12.81	S, US, 53	
	1800	56H	LM24515	C/A	858	SRF3S1.5T1B6028TP1	41	115/208-230	Man.	7.6	1.15	13.82	S, MX, 53	
	1800	56H	110019.00	√	889	U6K17FB1	38	115/208-230	Auto.	8.6	1.00	12.81	S, US, 53	
	1800	56H	113769.00	√	948	M6K17FB37	43	115/208-230	Man.	6.5	1.15	13.31	S, US, 53	
	1800	145T	120026.00	√	714	C145K17FB3	44	115/208-230	None	8.6	1.00	13.25	S, US, 53	
	1800	145T	LM24711	C/A	746	SSF4S1.5T1B6028	42	115/208-230	None	7.6	1.15	13.87	S, MX, 53	
	1800	145T	120009.00	√	820	M145K17FB2	42	115/208-230	Man.	8.6	1.00	13.25	S, US, 53	
	1800	145T	LM24746	C/A	858	SSF4S1.5T1B6028TP1	43	115/208-230	Man.	7.6	1.15	13.87	S, MX, 53	
	1200	184T	131526.00	√	1884	C184C11FB2	69	115/208-230	None	11.0	1.00	15.46	S, MX	

Green items are Premium Efficient

▼ LM Numbers are Lincoln Models

♥ Note listing on inside back flap

Continued On Next Page

C/A - Check Availability

Specifications are subject to change without notice



View On-line Technical Information



Single Phase TEFC Motors

Capacitor Start – General Purpose

Tech Information

Single Phase
ODP Motors

Single Phase
TEFC Motors

Three Phase
ODP Motors

Three Phase
TEFC Motors

Inverter Duty
Motors

Severe Duty
Motors

Single Phase - TEFC - Rigid Base

HP	SYN RPM 60 Hz	NEMA Frame	▼ Catalog Number	Stock	List Price	Model Number	App. Wgt. (lbs)	Voltage	Over-load Prot.	F. L. Amps @ 230 V	Service Factor	"C" Dim. (Inches)	♥ Notes
2	3600	56H	110352.00	✓	883	C6C34FB21	41	115/208-230	None	10.0	1.00	13.31	S, US
	3600	56H	110402.00	✓	925	P6C34FB23	41	115/208-230	Man.	10.0	1.00	13.31	S, US
	3600	56H	LM24534	C/A	972	SRF2S2T1B6028TP1	40	115/208-230	Man.	9.0	1.15	13.32	S, MX, 53
	3600	145T	120036.00	✓	889	C145C34FB1	42	115/208-230	None	10.0	1.00	13.75	S, US
	3600	145T	LM24712	C/A	923	SRF2ST1B6028	54	115/208-230	None	9.0	1.15	13.37	S, MX, 53
	3600	145T	120395.00	✓	935	P145C34FB5	44	115/208-230	Man.	10.0	1.00	13.75	S, US
1800	56HZ		113770.00	✓	1303	M6K17FB38	49	230	Man.	8.2	1.15	14.25	S, US, 3, 53
	145T		121507.00	✓	1167	C145K17FB24	48	115/208-230	None	9.2	1.15	13.75	S, US, 53
	145T		120867.00	✓	1176	P145K17FB22	48	115/208-230	Man.	9.2	1.00	13.75	S, US, 53
	182T		131509.00	✓	1023	C182C17FB11	65	115/208-230	None	12.4	1.00	14.46	S, MX
	182T		LM24713	✓	1058	SS18F4S21B028	54	115/208-230	None	12.4	1.15	14.46	S, MX, 53
	1200	215T	140747.00	C/A	2793	C215K11FB3	118	115/208-230	None	11.2	1.15	18.71	S, MX, 53
3	3600	56H	116705.00	✓	964	P6K34FB31	53	208-230	Man.	14.0	1.00	13.81	S, US, 53
	3600	145T	120341.00	✓	959	C145K34FB3	46	230	None	13.0	1.00	14.25	S, US, 53
	3600	145T	LM24714	✓	994	SS14F2S3T1B6008	48	208-230	None	11.8	1.15	14.87	S, MX, 53
	3600	182T	131637.00	✓	1056	C182K34FB2	78	115/208-230	None	13.4	1.15	14.96	S, MX, 53
	1800	184T	131533.00	✓	1207	C184C17FB12	83	115/230	None	16.8	1.00	16.46	S, MX
	1800	184T	LM24716	C/A	1237	SS184F4S3T1C6028	99	115/208-230	None	16.8	1.00	16.46	S, MX
5	1800	184T	131855.00	✓	1303	P184K17FB26	88	230	Man.	13.6	1.15	14.96	S, MX, 53
	3600	184T	131549.00	✓	1460	C184K34FB6	93	230	None	19.8	1.15	16.96	S, MX, 53
	3600	184T	132042.00	✓	1629	P184K34FB9	103	230	Man.	19.8	1.15	16.97	S, MX, 53
	1800	184T	131538.00	✓	1468	C184K17FB15	95	230	None	23.0	1.00	17.46	S, MX, 53
	1800	184T	LM24718	✓	1476	SSF4S5T1B6008	98	208-230	None	21.7	1.00	17.46	S, MX, 53
	1800	184T	131856.00	✓	1515	P184K17FB25	95	230	Man.	21.0	1.00	15.96	S, MX, 53
7 1/2	3600	213T	140684.00	✓	1876	C213K34FB1	120	208-230	None	32.0	1.00	18.34	S, MX, 53
	3600	213T	LM24719	✓	2021	DDF2S7.51B6008	120	208-230	None	32.0	1.00	18.73	S, MX, 53
	1800	215T	140120.00	✓	1904	N215K17FB1	169	230	None	33.6	1.15	20.21	S, MX, 53
	1800	215T	LM24720	✓	1951	SS215F4S7.5T1B6008	133	208-230	None	30.0	1.00	21.09	S, MX, 53
10	3600	215T	140685.00	✓	2302	C215K34FB1	138	208-230	None	41.5	1.00	19.84	S, MX, 53
	3600	215T	LM24721	✓	2480	SSF2S10T1B6008	138	208-230	None	41.5	1.00	20.23	S, MX, 53
	1800	215T	140581.00	✓	2185	C215K17FB12	202	230	None	40.0	1.15	20.71	S, MX, 53
	1800	215T	LM24722	✓	2533	SSF4S10T1B66	155	230	None	41.5	1.00	21.09	S, MX, 53

Green items are Premium Efficient

♥ Note listing on inside back flap

▼ LM Numbers are Lincoln Models

C/A - Check Availability

Specifications are subject to change without notice

View On-line Technical Information



Single Phase - C Face Motors

Totally Enclosed - Capacitor Start - General Purpose

Single Phase - Totally Enclosed - C Face Less Base

HP	SYN RPM 60 Hz	NEMA Frame	▼ Catalog Number	Stock	List Price	Model Number	App. Wgt. (lbs)	Voltage	Over-load Prot.	F. L. Amps @ 230 V	Service Factor	"C" Dim. (Inches)	♥Notes
1/6	1800	48CZ	102661.00	√	363	C4C17FC25	14	115/208-230	None	2.0	1.15	9.19	S, MX, 25
1/4	1800	48CZ	101765.00	√	414	C4C17FC10	18	115/208-230	None	2.7	1.15	9.19	S, MX, 25
	1800	S56C	102868.00	√	412	C4C17NC26	22	115/208-230	None	2.3	1.15	9.80	S, MX, 12
	1800	S56C	LM24733	√	394	SRN4S0.25TLCN1C6028	18	115/208-230	None	2.1	1.00	9.94	S, MX
	1800	S56C	102866.00	√	412	C4C17FC34	18	115/208-230	None	2.7	1.15	9.44	S, MX
1/3	3600	S56C	102870.00	√	353	C4C34FC13	20	115/208-230	None	2.8	1.15	9.44	S, MX
	3600	S56C	102873.00	√	353	C4C34NC15	24	115/208-230	None	1.9	1.00	9.30	S, MX
	3600	S56C	LM24734	√	392	SRN2S0.33TLCN1C6028	20	115/208-230	None	2.2	1.15	10.19	S, MX
	1800	48CZ	102663.00	√	428	C4C17FC26	19	115/208-230	None	3.3	1.15	9.69	S, MX, 25
1800	S56C	101766.00	√	446	C4C17FC9	22	115/208-230	None	3.3	1.15	9.94	S, MX	
	S56C	102867.00	√	443	C4C17NC25	23	115/208-230	None	2.6	1.15	10.30	S, MX, 12	
	S56C	LM24598	√	428	SRF4S0.33TLCN1C6028	19	115/208-230	None	3.9	1.15	12.32	S, MX	
	S56C	102869.00	√	466	M4C17NC27	25	115/208-230	Man.	2.6	1.15	10.30	S, MX, 12	
	1200	56C	LM24735	C/A	654	SRF6S0.33TLCN1C6028	28	115/208-230	None	3.9	1.15	12.32	S, MX
	3600	S56C	102864.00	√	397	C4C34FC12	22	115/208-230	None	3.5	1.15	9.94	S, MX
3600	56C	LM24736	√	446	SRF2S0.5TLCN1C6028	23	115/208-230	None	4.2	1.15	11.82	S, MX	
	S56C	102872.00	√	423	M4C34FC14	25	115/208-230	Man.	3.5	1.15	9.94	S, MX	
1800	48CZ	102665.00	C/A	499	C4C17FC27	22	115/208-230	None	4.0	1.00	10.44	S, MX, 25	
	S56C	102862.00	√	511	C4C17FC32	21	115/208-230	None	4.0	1.15	10.69	S, MX	
	56C	LM24599	√	508	SRF4S0.5TLCN1C6028	24	115/208-230	None	4.4	1.15	11.19	S, MX	
	S56C	102865.00	√	541	M4C17FC33	22	115/208-230	Man.	4.0	1.15	10.69	S, MX	
	S56C	102871.00	√	534	A4C17FC35	24	115/208-230	Auto.	4.0	1.15	10.69	S, MX	
	1200	56C	110411.00	√	901	C6C11FC1	37	115/208-230	None	4.9	1.00	12.81	S, US
3/4	3600	56C	110413.00	√	466	C6C34FC8	26	115/208-230	None	5.0	1.15	11.31	S, US
	3600	56C	LM24738	√	466	SRF2S0.75TLCN1C5028	30	115/208-230	None	5.3	1.15	12.32	S, MX
	3600	56C	110412.00	√	485	M6C34FC7	28	115/208-230	Man.	5.0	1.15	11.31	S, US
1800	56C	110057.00	√	608	C6C17FC6	25	115/208-230	None	5.4	1.15	11.31	S, US	
	56C	LM24613	√	542	SRF4S0.75TLCN1C6028	30	115/208-230	None	5.5	1.15	12.32	S, MX	
1800	56C	110040.00	√	641	M6C17FC2	26	115/208-230	Man.	5.4	1.15	11.31	S, US	
	56C	110308.00	√	632	A6C17FC8	28	115/208-230	Auto.	5.4	1.15	11.31	S, US	
1200	56C	110414.00	√	1015	C6K11FC2	42	115/208-230	None	5.3	1.00	13.31	S, US, 53	
	56C	LM24739	C/A	738	SRF60.75TLCN1B6028	41	115/208-230	None	5.7	1.15	13.82	S, MX, 53	

▼ LM Numbers are Lincoln Models

♥ Note listing on inside back flap

C/A - Check Availability

Continued On Next Page

Specifications are subject to change without notice



View On-line Technical Information



Single Phase - C Face Motors

Totally Enclosed - Capacitor Start - General Purpose

Single Phase - Totally Enclosed - C Face Less Base

HP	SYN RPM 60 Hz	NEMA Frame	▼ Catalog Number	Stock	List Price	Model Number	App. Wgt. (lbs)	Voltage	Over-load Prot.	F. L. Amps @ 230 V	Service Factor	"C" Dim. (Inches)	♥ Notes
1	3600	56C	110416.00	√	546	C6C34FC10	28	115/208-230	None	6.0	1.15	11.81	S, US
	3600	56C	LM24740	√	553	SRF2S1TLCN1C6028	31	115/208-230	None	6.2	1.15	12.32	S, MX
	3600	56C	110415.00	√	599	M6C34FC9	28	115/208-230	Man.	6.0	1.15	11.81	S, US
	1800	56C	110058.00	√	700	C6C17FC7	33	115/208-230	None	6.4	1.15	11.81	S, US
	1800	56C	LM24614	√	579	SRF4S1TLCN1C6028	32	115/208-230	None	6.7	1.15	12.82	S, MX
	1800	56C	110041.00	√	731	M6C17FC3	29	115/208-230	Man.	6.4	1.15	11.81	S, US
	1800	143TC	121001.00	√	794	C143C17FC2	32	115/208-230	None	6.4	1.15	12.25	S, US
1 1/2	3600	56C	110419.00	√	702	C6C34FC12	31	115/208-230	None	8.5	1.00	12.31	S, US
	3600	56C	LM24535	√	606	SRF2S1.5TLCN1B6028	35	115/208-230	None	7.1	1.15	12.82	S, MX, 53
	3600	56C	110418.00	√	736	M6C34FC11	31	115/208-230	Man.	8.5	1.00	12.31	S, US
	3600	143TC	120101.00	√	794	C143C34FC1	36	115/208-230	None	8.5	1.00	12.75	S, US
	1800	56C	110420.00	√	789	C6K17FC2	37	115/208-230	None	8.6	1.00	12.81	S, US, 53
	1800	56C	LM24622	√	614	SRF4S1.5TLCN1B6028	41	115/208-230	None	7.6	1.15	13.82	S, MX, 53
	1800	56C	110042.00	√	822	M6K17FC1	40	115/208-230	Man.	8.6	1.00	12.81	S, US
	1800	145TC	120017.00	√	898	C145K17FC3	40	115/208-230	None	8.6	1.00	13.75	S, US, 53
2	3600	56C	110422.00	√	893	C6C34FC14	40	115/208-230	None	10.0	1.00	13.31	S, US
	3600	56C	LM24530	√	691	SRF2S2TLCNB6038	40	115/208-230	None	9.0	1.15	13.32	S, MX, 53
	3600	56C	110421.00	√	925	P6C34FC13	41	115/208-230	Man.	10.0	1.00	13.31	S, US
	3600	145TC	120102.00	√	926	C145C34FC2	43	115/208-230	None	10.0	1.00	13.75	S, US
	1800	56C	112136.00	√	1056	C6K17FC9	41	115/230	None	9.2	1.00	13.31	S, US, 53
	1800	145TC	120060.00	√	1080	P145K17FC2	45	115/230	Man.	10.0	1.00	14.25	S, US, 53
	1800	182TC	131516.00	C/A	1407	C182C17FC3	64	115/208-230	None	12.4	1.00	14.47	S, MX
3	3600	145TC	120824.00	√	1037	P145K34FC6	56	230	Man.	13.0	1.00	14.25	S, US, 53
	1800	184TC	131545.00	√	1658	C184C17FC4	82	115/208-230	None	16.8	1.00	16.47	S, MX
5	3600	184TC	131778.00	√	1664	C184K34FC2	81	208-230	None	19.8	1.15	16.97	S, MX, 53
	1800	184TC	131540.00	√	1726	C184K17FC6	104	230	None	23.0	1.00	17.47	S, MX, 53

▼ LM Numbers are Lincoln Models

♥ Note listing on inside back flap

C/A - Check Availability

Continued On Next Page

Specifications are subject to change without notice

View On-line Technical Information



Single Phase C Face Motors

Totally Enclosed - Capacitor Start - General Purpose

Single Phase - Totally Enclosed - C Face With Base

HP	SYN RPM 60 Hz	NEMA Frame	▼ Catalog Number	Stock	List Price	Model Number	App. Wgt. (lbs)	Voltage	Over-load Prot.	F. L. Amps @ 230 V	Service Factor	"C" Dim. (Inches)	♥Notes
1/4	1800	S56C	102916.00	√	421	C4C17FK4	22	115/208-230	None	2.7	1.15	9.69	S, MX
	1800	S56C	LM24723	√	442	SRF4S0.25TLC6028	17	115/208-230	None	2.1	1.15	10.19	S, MX
1/3	3600	S56C	102929.00	√	418	C4C34FK16	22	115/208-230	None	2.8	1.15	9.69	S, MX
	1800	S56C	102930.00	√	447	C4C17FK6	24	115/208-230	None	3.1	1.15	10.44	S, MX
	1800	S56C	LM24600	√	467	SRF4S0.33TLC1C6028	23	115/208-230	None	3.0	1.15	10.44	S, MX
	1800	S56C	103082.00	√	447	M4C17FK7	24	115/208-230	Man.	3.1	1.15	10.31	S, MX
1/2	1800	S56C	102910.00	√	447	C4C17NK2	25	115/208-230	None	2.6	1.15	10.31	S, MX
	3600	S56C	102903.00	√	419	C4C34FK17	25	115/208-230	None	3.5	1.15	9.94	S, MX
	3600	56C	LM24725	√	443	SRF2S0.5TLC1C6028	23	115/208-230	None	4.2	1.15	11.82	S, MX
	1800	S56C	102907.00	√	537	C4C17FK5	22	115/208-230	None	4.0	1.15	10.69	S, MX
	1800	S56C	LM24628	√	567	SRF4S0.5TLC6028	24	115/208-230	None	4.0	1.15	11.19	S, MX
	1800	S56C	103085.00	√	537	M4C17FK8	22	115/208-230	Man.	4.0	1.15	10.69	S, MX
3/4	3600	56C	112135.00	√	478	C6C34FK36	26	115/208-230	None	5.0	1.15	11.31	S, US
	3600	56C	LM24726	√	498	SRF2S0.75TLC1C6028	30	115/208-230	None	5.3	1.15	12.32	S, MX
	1800	56C	110905.00	√	648	C6C17FK4	26	115/208-230	None	5.4	1.15	11.31	S, US
	1800	56C	LM24615	√	680	SRF2S0.75TLC1C6028	30	115/208-230	None	5.5	1.15	12.32	S, MX
1	1800	56C	116922.00	√	648	M6C17FK86	26	115/208-230	Man.	5.4	1.15	11.31	S, US
	3600	56C	110180.00	√	550	C6C34FK1	28	115/208-230	None	6.0	1.15	11.81	S, US
	3600	56C	LM24727	√	573	SRF2S1TLC1C6028	32	115/208-230	None	6.2	1.15	12.32	S, MX
	3600	56C	115877.00	√	550	M6C34FK78	28	115/208-230	Man.	6.0	1.15	11.81	S, US
	1800	56C	110908.00	√	734	C6C17FK5	30	115/208-230	None	6.4	1.15	11.81	S, US
	1800	56C	LM24616	√	768	SRF4S1TLC6028	35	115/208-230	None	6.7	1.15	12.82	S, MX
1 1/2	1800	56C	115879.00	√	734	M6C17FK80	32	115/208-230	Man.	6.4	1.15	11.81	S, US
	1800	143TC	121680.00	√	734	C143C17FK1	32	115/208-230	None	6.4	1.15	12.25	S, US
	3600	56C	110909.00	√	713	C6C34FK19	34	115/208-230	None	8.5	1.00	12.31	S, US
	3600	56HC	LM24539	√	745	SRF2S1.5TLC1B6028	35	115/208-230	None	7.1	1.15	12.82	S, MX
Severe Duty Motors	3600	56C	115024.00	√	748	M6K34FK16	35	115/208-230	Man.	6.2	1.15	12.31	S, US
	1800	56HC	110910.00	√	872	C6K17FK2	39	115/208-230	None	8.6	1.00	12.81	S, US
	1800	56HC	LM24728	√	908	SRF2S1.5TLC1B6028	41	115/208-230	None	7.6	1.15	13.82	S, MX
	1800	56HC	116703.00	√	877	M6K17FK50	42	115/208-230	Man.	8.6	1.15	12.81	S, US
1800	145TC	121681.00	√	872	C145K17FK13	40	115/208-230	None	8.6	1.00	13.75	S, US	

▼ LM Numbers are Lincoln Models

♥ Note listing on inside back flap

Specifications are subject to change without notice

Continued On Next Page



View On-line Technical Information



Single Phase C Face Motors

Totally Enclosed - Capacitor Start - General Purpose

Single Phase - Totally Enclosed - C Face With Base

HP	SYN RPM 60 Hz	NEMA Frame	▼ Catalog Number	Stock	List Price	Model Number	App. Wgt. (lbs)	Voltage	Over-load Prot.	F. L. Amps @ 230 V	Service Factor	"C" Dim. (Inches)	♥ Notes
2	3600	56HC	113931.00	√	934	C6C34FK52	46	115/208-230	None	10.0	1.00	13.31	S, US
	3600	56HC	LM24729	√	978	SRF2S2TLC1B6028	40	115/208-230	None	9.0	1.15	13.32	S, MX, 53
	3600	56HC	114995.00	√	890	P6K34FK15	42	115/208-230	Man.	9.2	1.15	13.31	S, US, 53
	3600	56HC	115878.00	C/A	934	P6C34FK79	43	115/208-230	Man.	10.0	1.00	13.31	S, US
	3600	145TC	121008.00	√	934	C145C34FK2	43	115/208-230	None	10.0	1.00	13.75	S, US
1800	145TC	120274.00	√	1176	C145K17FK2	49	115/230	None	9.2	1.00	14.25	S, US, 53	
	145TC	LM24731	C/A	1231	SSF4S2TLC1B6028	52	115/230	None	9.5	1.15	14.87	S, MX, 53	
	145TC	121465.00	√	1176	P145K17FK10	44	115/208-230	Man.	9.2	1.00	13.75	S, US, 53	
3	3600	145TC	121825.00	√	986	C145K34FK9	47	230	None	13.0	1.00	14.43	S, US, 53
	3600	56HC	115048.00	√	974	P6K34FK17	53	208-230	Man.	14.0	1.00	13.31	S, US, 53
	3600	145TC	121060.00	√	1047	P145K34FK4	51	230	Man.	13.0	1.00	14.25	S, US, 53
	1800	184TC	131631.00	√	1662	P184C17FK9	84	115/208-230	Man.	16.8	1.00	16.47	S, MX
	1800	184TC	131857.00	√	1662	P14K17FK14	104	230	Man.	13.7	1.15	17.61	S, MX, 53
5	3600	184TC	131632.00	√	1670	P184K34FK2	103	230	Man.	19.8	1.15	16.97	S, MX, 53
	1800	184TC	131633.00	√	1740	P184K17FK11	86	230	Man.	23.0	1.00	16.97	S, MX, 53
7 1/2	3600	213TC	140694.00	√	1960	C213K34FK1	120	208-230	None	32.0	1.00	19.07	S, MX, 53
	1800	215TC	140807.00	√	2002	C215K17FK6	171	208-230	None	33.6	1.15	20.21	S, MX, 53
10	3600	215TC	140695.00	√	2338	C215K34FK1	138	208-230	None	41.5	1.00	20.57	S, MX, 53
	1800	215TC	140678.00	√	2265	C215K17FK4	152	230	None	40.0	1.15	20.71	S, MX, 53

▼ LM Numbers are Lincoln Models

♥ Note listing on inside back flap

C/A - Check Availability

Specifications are subject to change without notice

Tech Information

Single Phase
ODP Motors

Single Phase
TEFC Motors

Three Phase
ODP Motors

Three Phase
TEFC Motors

Inverter Duty
Motors

Severe Duty
Motors

View On-line Technical Information



Single Phase TEFC Motors

WATTSaver Premium Efficiency Motors

Features:

- High starting torque
- Capacitor start / capacitor run designs for higher efficiency
- Reduced running amps
- Energy saving designs



Single Phase - TEFC - Rigid Base

HP	SYN RPM 60 Hz	NEMA Frame	Catalog Number	Stock	List Price	Model Number	App. Wgt. (lbs)	Voltage	Over- load Prot.	F. L. Amps @ 230 V	Service Factor	% F.L. Eff.	"C" Dim. (Inches)	♥ Notes
1/3	1800	56	113765.00	✓	555	M6K17FB33	27	115/208-230	Man.	1.7	1.15	76	10.81	S, US
1/2	1800	56	113766.00	✓	616	M6K17FB34	30	115/208-230	Man.	2.5	1.15	78	11.31	S, US
3/4	1800	56	113767.00	✓	727	M6K17FB35	35	115/208-230	Man.	3.2	1.15	82	11.81	S, US
1	1800	56	113768.00	✓	834	M6K17FB36	37	115/208-230	Man.	4.2	1.15	83	12.31	S, US
1 1/2	1800	56H	113769.00	✓	948	M6K17FB37	43	115/208-230	Man.	6.5	1.15	84	13.31	S, US
2	1800	56HZ	113770.00	✓	1303	M6K17FB38	49	230	Man.	8.2	1.15	85	14.25	S, US

Green items are Premium Efficient

♥ Note listing on inside back flap

Specifications are subject to change without notice

Single Phase TENV - General Purpose

Single Phase - TENV - Rigid Base

HP	SYN RPM 60 Hz	NEMA Frame	Catalog Number	Stock	List Price	Model Number	App. Wgt. (lbs)	Voltage	Over- load Prot.	F. L. Amps @ 230 V	Service Factor	"C" Dim. (Inches)	♥ Notes
1/6	3600	42	092011.00	✓	353	C42C34NB1	16	115/208-230	None	1.0	1.00	9.56	S, US
	1800	42	092012.00	C/A	374	C42C17NB1	21	115/208-230	None	1.8	1.00	10.56	S, US
1/4	3600	42	092013.00	C/A	379	C42C34NB2	21	115/208-230	None	1.7	1.00	10.56	S, US
	1800	48	100361.00	✓	363	C4C17NB4	17	115/208-230	None	2.2	1.15	9.43	S, MX
	1800	S56	102914.00	✓	367	C4C17NH9	24	115/208-230	None	2.3	1.15	9.81	S, MX
	1800	S56	102915.00	✓	414	A4C17NH10	23	115/208-230	Auto.	2.3	1.15	9.81	S, MX
1/3	3600	48	100362.00	✓	349	C4C34NB2	24	115/208-230	None	2.0	1.00	9.93	S, MX
	1800	S56	102912.00	✓	402	C4C17NH7	25	115/208-230	None	2.6	1.15	10.81	S, MX
	1800	S56	102913.00	C/A	460	M4C17NH8	25	115/208-230	Man.	2.6	1.15	10.31	S, MX
	1800	S56	102911.00	✓	456	A4C17NH6	24	115/208-230	Auto.	2.6	1.15	10.31	S, MX
1/2	3600	48	100366.00	✓	400	C4C34NB3	27	115/208-230	None	2.9	1.00	10.43	S, MX

C/A - Check Availability

♥ Note listing on inside back flap

Specifications are subject to change without notice



View On-line Technical Information



Single Phase TEFC Motors

Pressure Washer Pump Motors & Resilient Base Motors

General Specifications:

Motors specially suited for hot or cold pressure washer applications and other single phase installations requiring minimum starting and running amperages.



Mechanical Features:

- Double shielded ball bearings
- Dynamically balanced rotors

Electrical Features:

- Windings dipped in heavy duty varnish system
- Capacitor start / capacitor run designs to reduce amp draw
- Manual reset overload protection

Single Phase - TEFC - Rigid Base

HP	SYN RPM 60 Hz	NEMA Frame	Catalog Number	Stock	List Price	Model Number	App. Wgt. (lbs)	Voltage	Over-load Prot.	F. L. Amps @ 230 V	Service Factor	"C" Dim. (Inches)	♥ Notes
3/4	3600	56	110108.00	✓	471	M6C34FB7	26	115/208-230	Man.	5.0	1.15	11.31	S, US
	1800	56	110022.00	✓	640	M6C17FB7	29	115/208-230	Man.	5.4	1.15	11.31	S, US
1	3600	56	110142.00	✓	576	M6C34FB2	28	115/208-230	Man.	6.0	1.15	11.81	S, US
	1800	56	110023.00	✓	724	M6C17FB8	29	115/208-230	Man.	6.4	1.15	11.81	S, US
	1800	143T	120008.00	✓	724	M143C17FB2	31	115/208-230	Man.	6.4	1.15	12.75	S, US
1 1/2	3600	56	110109.00	✓	793	M6C34FB8	31	115/208-230	Man.	8.5	1.00	12.31	S, US
	1800	56H	113333.00	✓	820	M6K17FB32	38	115/208-230	Man.	8.6	1.00	12.81	S, US, 6, 53
	1800	145T	120009.00	✓	820	M145K17FB2	42	115/208-230	Man.	8.6	1.00	13.25	S, US, 53
2	3600	56H	110402.00	✓	925	P6C34FB23	41	115/208-230	Man.	10.0	1.00	13.31	S, US, 6, 53
	3600	145T	120395.00	✓	935	P145C34FB5	44	115/208-230	Man.	10.0	1.00	13.75	S, US
	1800	145T	120867.00	✓	1176	P145K17FB22	48	115/208-230	Man.	9.2	1.00	13.75	S, US, 53
3	3600	56H	116705.00	✓	964	P6K34FB31	53	230	Man.	14.0	1.00	13.81	S, US, 6, 53
	1800	184T	131855.00	✓	1303	P184K17FB26	88	230	Man.	13.7	1.15	16.86	S, MX, 53
5	3600	184T	132042.00	✓	1629	P184K34FB9	103	230	Man.	19.8	1.15	16.97	S, MX, 53
	1800	184T	131856.00	✓	1515	P184K17FB25	95	230	Man.	21.0	1.00	17.86	S, MX, 53

Specifications are subject to change without notice

♥ Note listing on inside back flap

Resilient Base Motors - Single Phase - General Purpose or Fan Duty

General Specifications:

- Industrial quality resilient base
- Moderate starting torque
- Belt driven fans or fan on shaft applications
- Capacitor start designs

Single Phase - TEFC • Resilient Base



HP	SYN RPM 60 Hz	NEMA Frame	Catalog Number	Stock	List Price	Model Number	App. Wgt. (lbs)	Voltage	Over-load Prot.	F. L. Amps @ 230 V	Service Factor	"C" Dim. (Inches)	♥ Notes
1/2	1800	56	110025.00	✓	560	A6C17FR1	26	115/208-230	Auto.	4.4	1.15	11.96	S, US
3/4	1800	56	110026.00	✓	671	A6C17FR2	28	115/208-230	Auto.	5.4	1.15	12.46	S, US
1	1800	56H	111915.00	✓	762	A6C17FR10	31	115/208-230	Auto.	6.4	1.15	12.96	S, US, 6

Specifications are subject to change without notice

♥ Note listing on inside back flap

View On-line Technical Information

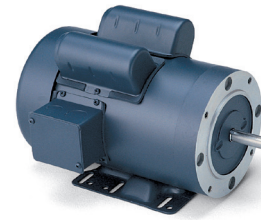


Single Phase - C Face Motors

Pressure Washer Pump Motors

Application Information:

Motors specially suited for hot or cold pressure washer applications and other single phase installations requiring minimum starting and running amperages.



Mechanical Features:

- Double shielded ball bearings
- Dynamically balanced rotors

Electrical Features:

- Windings dipped in heavy duty varnish system
- Capacitor start / capacitor run designs to reduce amp draw
- Manual reset overload protection
- High service factor

Single Phase - TEFC - C-Face With Base

HP	SYN RPM 60 Hz	NEMA Frame	Catalog Number	Stock	List Price	Model Number	App. Wgt. (lbs)	Voltage	Over-load Prot.	F. L. Amps @ 230 V	Service Factor	"C" Dim. (Inches)	♥Notes
1/3	1800	56C	116485.00	C/A	654	M6C17FK81	29	115/208-230	Man.	3.2	1.15	10.81	S, US, 57
1/2	1800	56C	116486.00	√	751	M6C17FK80	23	115/208-230	Man.	4.4	1.15	10.81	S, US, 57
3/4	1800	56C	116487.00	√	873	M6C17FK79	30	115/208-230	Man.	5.4	1.15	11.31	S, US, 57
1	3600	56C	115877.00	√	550	M6C34FK78	28	115/208-230	Man.	6.0	1.15	11.81	S, US
	1800	56C	115879.00	√	734	M6C17FK80	32	115/208-230	Man.	6.4	1.15	11.81	S, US
1 1/2	3600	56C	115024.00	√	748	M6K34FK16	35	115/208-230	Man.	6.2	1.15	12.31	S, US, 53
	1800	56HC	116703.00	√	877	M6K17FK50	39	115/208-230	Man.	8.6	1.15	12.81	S, US, 53
2	3600	56HC	114995.00	√	890	P6K34FK15	42	115/208-230	Man.	9.2	1.15	13.31	S, US, 53
	1800	145TC	121465.00	√	1176	P145K17FK10	44	115/208-230	Man.	9.2	1.00	13.75	S, US, 53
3	3600	56HC	115048.00	√	974	P6K34FK17	53	115/208-230	Man.	14.0	1.00	13.81	S, US, 53
	1800	184TC	131857.00	√	1662	P14K17FK14	104	230	Man.	13.7	1.15	17.61	S, MX, 53
5	3600	184TC	131632.00	√	1670	P184K34FK2	106	230	Man.	19.8	1.15	16.97	S, MX, 53
	1800	184TC	131633.00	√	1740	P184K17FK11	107	230	Man.	23.0	1.00	16.97	S, MX, 53

C/A - Check Availability

Specifications are subject to change without notice

♥ Note listing on inside back flap



View On-line Technical Information



Single Phase C Face Motors

Unit Handling Motors



Applications Include:

Unit and baggage handling, conveyors, packaging equipment, machine tools, elevators and door openers where a conduit box at 12:00 position is needed due to mounting size restrictions

Features include:

- Low profile conduit box at the 12:00 position
- Base includes both 56H and 143-5T mounting holes and slots

Single Phase - TEFC - C Face With Base

HP	RPM	Frame	Catalog Number	Stock	List Price	Model Number	App. Wgt. (lbs)	Voltage	F. L. Amps @ 230 V	Service Factor	"C" Dim. (Inches)	♥ Notes
1/2	1800	56C	117701.00	✓	537	C6C17FK92	22	115/208-230	4.4	1.2	12.48	S, US
3/4	1800	56C	117702.00	✓	584	C6C17FK94	26	115/208-230	5.4	1.2	12.98	S, US
1	1800	56C	117703.00	✓	634	C6C17FK93	30	115/208-230	6.4	1.2	12.98	S, US

Specifications are subject to change without notice

♥ Note listing on inside back flap

Single Phase - TEFC - Rigid C Face Less Base

HP	RPM	Frame	Catalog Number	Stock	List Price	Model Number	App. Wgt. (lbs)	Voltage	F. L. Amps @ 230 V	Service Factor	"C" Dim. (Inches)	♥ Notes
1/2	1800	56C	117704.00	✓	516	C6C17FC175	21	115/208-230	4.4	1.2	10.98	S, US
3/4	1800	56C	117705.00	✓	564	C6C17FC176	25	115/208-230	5.4	1.2	11.48	S, US
1	1800	56C	117706.00	✓	606	C6C17FC177	29	115/208-230	6.4	1.2	11.48	S, US

Specifications are subject to change without notice

♥ Note listing on inside back flap

View On-line Technical Information



Three Phase - Cast Iron - Three Phase Motors

150 & 170 Series - Rigid Base - General Purpose

NEMA
Premium

For reliable performance in heavy-duty industrial applications, nothing beats the LEESON Heavyweights. With their cast iron construction and 1.15 Service Factor, they are ideal for "tough to handle" applications.

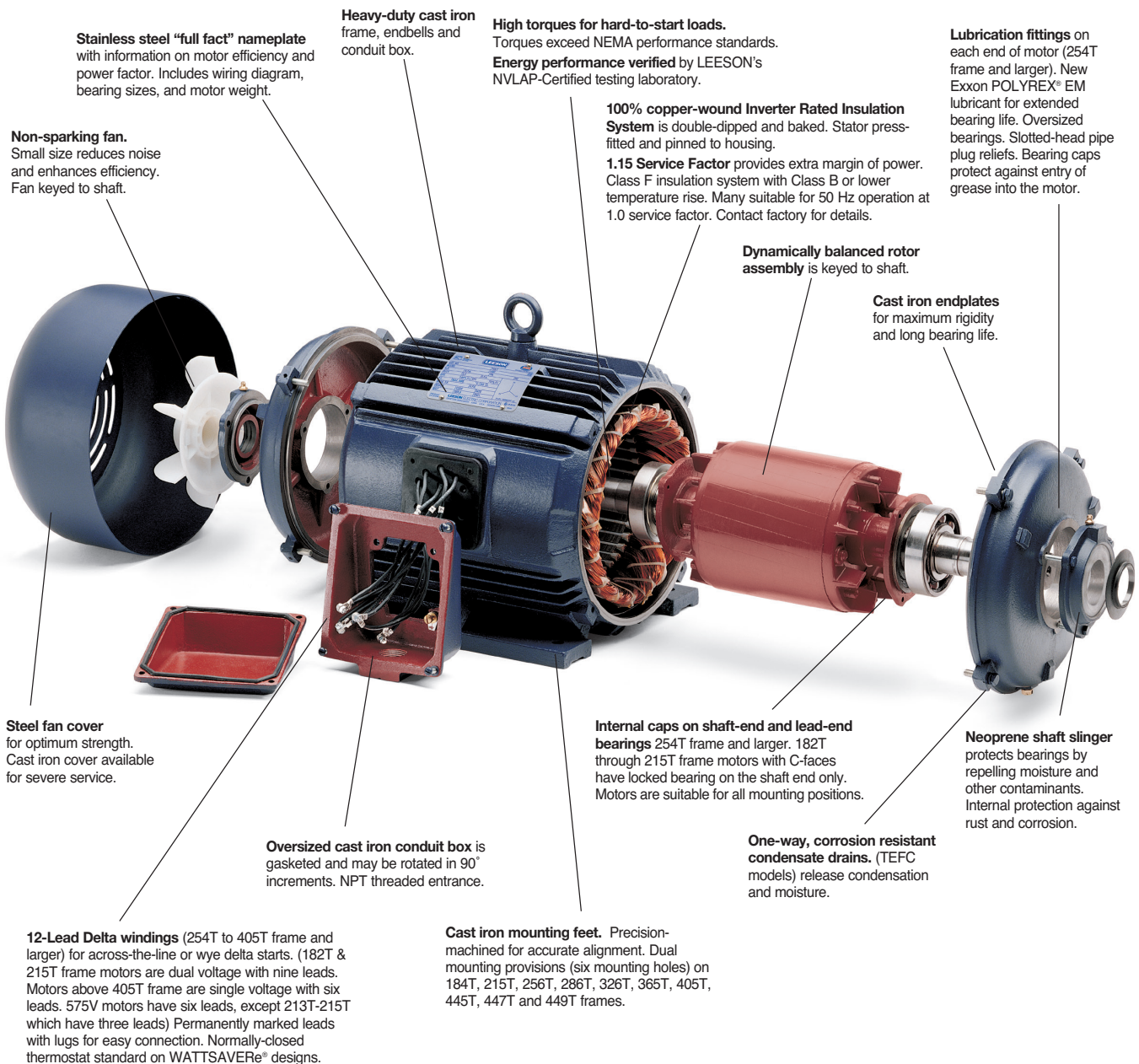
But that's only part of the story. LEESON 150 and 170-series cast iron motors are extremely versatile and can be field converted in minutes to a number of different configurations, including:

- Severe Duty TEFC (using cast iron fan guard kit)
- F2 mounting 180 frame or larger (by re-assembly)
- C face with rigid base (from stock or using C face kit)
- D flange with base (using D flange kit)

UL recognized and CSA certified.

LEESON's Inverter Rated Insulation System (IRIS™)

provides superior motor protection against voltage spikes induced by variable frequency drives. This *total insulation system* protects better than spike-resistant magnet wire alone. Specially formed phase insulation, cushioned and sleeved connections (from the leads all the way into the turns), and deep-penetrating, non-hygroscopic, high temperature varnish are just a few features contributing to the extra protection. All this plus second generation, spike-resistant magnet wire. The IRIS™ *total insulation system* is standard at no extra cost in all LEESON stock NEMA three-phase motors, 1 HP and larger. The LEESON Ultimate E, "199" Series motors have our standard insulation system.



LEESON

Three Phase - WattSaver® Premium Efficiency Motors

General Purpose

WATTSAVER^e

NEMA
Premium

The WATTSVERe® line of premium efficiency motors is LEESON's unique IRIS™ voltage-spike-resistant insulation system is standard at no extra cost. WATTSVERe® motors carry a three-year warranty in general purpose and inverter fed applications. These motors meet or exceed most utility rebate programs and the EPA's federally mandated efficiency levels. The efficiency ratings have been verified to IEEE

112B test standards by LEESON's NVLAP-Certified lab.

Cast iron 170 series motors can be field modified for forced ventilation service to extend the inverter-fed operating range and an encoder package is stocked for closed-loop vector inverter systems. These motors can be converted to IEEE841 compliant using the Custom PDQ Program. Contact LEESON.

Rugged cast iron construction on three phase, 1-350 HP models. These motors share features with normal efficiency 150 Series motors detailed on page 42. Add an optional cast iron fan guard for severe duty applications.

Efficiencies meet or exceed NEMA Premium on all WATTSVERe® motors.

Both 3/4 and full load efficiencies are listed on the stainless steel nameplate for your convenience in calculating realistic energy savings. Unique serial number identifies each motor and is stamped clearly on the metal nameplate.

Independently verified efficiencies by the Canadian Standards Association, an internationally recognized testing laboratory. CSA Report Number EEV78720-1.

Premium efficiency motors finished with primer and chemical resistant green acrylic matte enamel. IP44 enclosure protection.

Modification to meet IEEE 841 available through Custom PDQ. (See page 114). Includes addition of watertight Inpro shaft seals, two-part epoxy finish, and plated hardware.

One-way, corrosion resistant condensate drains. (TEFC models) release condensation and moisture.

Second-generation, high temperature, spike-resistant magnet wire for extended motor life. Stator impregnated with extra-heavy varnish system. 1.15 Service Factor. All WATTSVERe® motors have Class F insulation with a Class B rise. Motors rated at 40 degrees C ambient.

Meets or exceeds the 1997 mandated efficiency standards of the Energy Policy Act of 1992. Also meets or exceeds efficiency requirements of most electric utility rebate programs.

WATTSVERe® motors comply with EISA 2007

Three phase models suitable for inverter duty, as well as both 50 Hz and 60 Hz operation.



UL and CSA Recognition

LEESON's Inverter Rated Insulation System (IRIS™) provides superior protection against voltage spikes induced by variable frequency drives. This protects better than spike-resistant magnet wire alone. Specially formed phase insulation, cushioned and sleeved connections (from the leads all the way into the turns), and deep-penetrating, non-

hygroscopic, high temperature varnish are just a few features contributing to extra protection. All this plus second generation spike-resistant magnet wire. The IRIS™ is standard at no extra cost in all LEESON stock NEMA three-phase motors, 1 HP and larger. The LEESON Ultimate E, "199" Series motors have our standard insulation system.



Three Phase ODP Motors

**General Purpose – Drip-Proof –
208-230/460V & 460V Rigid Mount – ¼ HP – 500 HP
C Face motors – 1/4 HP – 200 HP**



- Standard, EPE and Premium efficient ratings
- Inverter-rated
- Nameplated for 50 Hz operation
- 1-year warranty on Standard efficient motors
- 2-year warranty on EPE efficient motors
- 3-year warranty on Premium efficient motors
- Class B insulation systems, Class F 140 frame and higher
- Shielded ball bearings for direct coupled applications
Contact your local sales office for belted load applications
- Rolled steel and cast iron designs
- UL recognized and CSA certified



Applications:

For use where water and dust exposure is minimal. Ideally suited for use on pumps, compressors, blowers, fans and other standard industrial applications.





Three Phase ODP Motors

General Purpose - Standard, EPAct and Premium Efficient Motors

Three Phase - Drip-Proof - Rigid Base

HP	SYN RPM 60 Hz	NEMA Frame	▼ Catalog Number	Stock	List Price	Model Number	App. Wgt. (lbs)	Voltage	F. L. Amps @ 230 V	% F.L. Eff.	Service Factor	"C" Dim. (Inches)	♥Notes	
1/4	1800	S56	100027.00	D	318	C4T17DH1	16	208-230/460	1.4	58.0	1.00	9.20	S, MX	
	1800	S56	E100027.00	√	412	C4T17DH45	17	208-230/460	1.0	72.4	1.35	10.97	S, MX	
	1800	48	LM24866	D	331	SPD4S0.25T61	19	230/460	1.3	62.0	1.35	9.30	S, US	
	1800	48	LM34048	√	427	SPD4B0.25T61	20	230/460	1.0	72.4	1.35	10.59	S, MX	
1/3	3600	48	101447.00	D	328	C4T34DB3	14	208-230/460	1.4	68.0	1.35	9.00	S, US	
	3600	48	E101447.00	√	423	C4T34DB7	18	208-230/460		73.4	1.35		S, US	
	1800	48	100446.00	D	342	C4T17DB2	17	208-230/460	1.6	64.3	1.35	9.10	S, MX	
	1800	48	E100446.00	√	443	C4T17DB17	18	208-230/460	1.2	73.4	1.35	10.84	S, MX	
	1800	S56	100028.00	D	336	C4T17DH2	18	208-230/460	1.6	64.3	1.35	9.50	S, MX	
	1800	S56	LM24152	D	355	SRD4S0.33T61	15	230/460	1.6	67.0	1.35	11.00	S, MX	
	1800	S56	LM34049	√	459	SRD4B0.33T61	23	208-230/460	1.3	77.0	1.25	10.20	S, MX	
	1800	S56	103017.00	D	449	C4T17DH39	23	208-230/460	1.3	77.0	1.25	10.20	S, MX	
	1800	S56	E103017.00	√	449	C4T17DH39	23	208-230/460	1.3	77.0	1.25	10.20	S, MX	
	1200	56	110425.00	D	543	C6T11DB3	23	208-230/460	1.6	65.0	1.15	9.90	S, US	
1/2	3600	S56	101448.00	D	347	C4T34DH7	17	208-230/460	1.8	69.0	1.25	9.40	S, US	
	3600	S56	E101448.00	√	455	C4T34DH7	19	208-230/460	1.8	73.4	1.25	9.40	S, US	
	3600	56	LM24869	D	360	SRD2S0.5T61	22	230/460	2.2	66.0	1.25	10.40	S, US	
	1800	S56	100029.00	D	383	C4T17DH3	20	208-230/460	2.0	68.0	1.25	10.00	S, MX	
	1800	S56	LM24098	D	410	SRD4S0.5T61	17	230/460	2.2	70.0	1.25	10.50	S, MX	
	1800	56	LM34050	√	486	SRD4B0.5T61	25	230/460		78.2	1.25		S, MX	
	1800	S56	103018.00	D	482	C4T17DH40	26	208-230/460	1.8	77.0	1.25	10.70	S, MX	
	1800	56	E119351.00	√	482	C6T17DB113	29	208-230/460		78.2	1.25		S, US	
	1200	56	110027.00	D	598	C6T11DB1	22	208-230/460	2.8	66.0	1.15	10.40	S, US	
	1200	56	E110027.00	√	741	C6T11DB22	29	208-230/460		75.3	1.15		S, US	
	3/4	3600	S56	101449.00	D	412	C4T34DH8	20	208-230/460	2.4	79.0	1.25	9.90	S, US
		3600	S56	E101449.00	√	464	C4T34DH8	20	208-230/460	2.4	79.0	1.25	9.90	S, MX
		3600	56	LM24870	D	425	SRD2S0.75T61	21	230/460	3.2	74.0	1.25	10.40	S, US
		1800	S56	100030.00	D	428	C4T17DH4	24	208-230/460	2.8	75.0	1.25	10.50	S, MX
		1800	S56	LM24099	D	454	SRD4S0.75T61	20	230/460	2.8	75.5	1.25	11.00	S, MX
		1800	S56	LM34051	√	498	SRD4B0.75T61	24	230/460		81.1	1.25		S, MX
		1800	56	116738.00	D	488	C6T17DB95	30	208-230/460	2.4	81.5	1.25	10.90	S, US
		1800	56	E116738.00	√	488	C6T17DB95	30	208-230/460	2.4	81.5	1.25	10.90	S, US
1200		56	110028.00	D	646	C6T11DB2	17	208-230/460	3.4	75.5	1.15	10.90	S, US	
1200		56	E110028.00	√	775	C6T11DB23	30	208-230/460		81.7	1.15		S, US	

Continued on next page

Green items are Premium Efficient
"E" prefix items comply with SMR 2015

▼ LM Numbers are Lincoln Models

D - To be discontinued when inventory is depleted

Specifications are subject to change without notice

♥ Note listing on inside back flap

Please view our on-line catalog for updated information that was unavailable at the time of this printing.

View On-line Technical Information



Tech Information

Single Phase ODP Motors

Single Phase TEFC Motors

Three Phase ODP Motors

Three Phase TEFC Motors

Inverter Duty Motors

Severe Duty Motors

Three Phase ODP Motors

General Purpose - Standard,
EPA and Premium Efficient Motors

Three Phase - Drip-Proof - Rigid Base

HP	SYN RPM 60 Hz	NEMA Frame	▼ Catalog Number	Stock	List Price	Model Number	App. Wgt. (lbs)	Voltage	F. L. Amps @ 230 V	% F.L. Eff.	Service Factor	"C" Dim. (Inches)	♥Notes	
1	3600	56	110426.00	D	471	C6T34DB1	22	208-230/460	3.2	77.0	1.25	9.80	S, US	
	3600	56	E110426.00	✓	471	C6T34DB1	22	208-230/460	3.2	77.0	1.25	9.80	S, US	
	3600	56	LM24155	D	493	SRD2S1T61	24	230/460	3.7	74.0	1.25	10.40	S, US	
	3600	56	116128.00	D	596	C6T34DB30	24	208-230/460	2.8	80.0	1.25	10.20	S, US	
Single Phase ODP Motors	1800	56	110029.00	D	483	C6T17DB1	22	208-230/460	4.2	78.5	1.15	10.40	S, US	
	1800	S56	LM24111	D	471	SRD4S1T61	22	230/460	3.4	76.5	1.15	10.50	S, MX	
	1800	56	LM34052	✓	580	SRD4B1T61	26	230/460		83.5	1.15		S, MX	
	1800	56HZ	115827.00	D	461	C6T17DB77	24	208-230/460	4.2	78.5	1.15	11.10	S, US, 5	
	1800	56HZ	E115827.00	✓	597	C6T17DB117	34	208-230/460	3.2	83.5	1.15	12.10	S, US, 5	
	1800	56	116752.00	D	670	C6T17DB92	36	208-230/460	3.2	85.5	1.25	11.70	S, US	
	1800	56	E116752.00	✓	670	C6T17DB92	36	208-230/460	3.2	85.5	1.25	11.70	S, US	
	1800	143T	121003.00	✓	670	C143T17DB10	36	208-230/460	3.2	85.5	1.25	12.10	S, US	
	1800	143T	LM24871	✓	553	SSD4B1T61	35	230/460	3.2	85.5	1.15	12.00	S, MX	
	1200	145T	121517.00	✓	779	C145T11DB7	41	208-230/460	3.8	82.5	1.25	12.60	S, US	
Single Phase TEFC Motors	1 1/2	3600	56	110429.00	D	527	C6T34DB2	29	208-230/460	4.2	81.5	1.15	10.80	S, US
	3600	56	116753.00	D	663	C6T34DB31	36	208-230/460	4.0	84.0	1.25	11.80	S, US	
	3600	56	E116753.00	✓	663	C6T34DB31	36	208-230/460	4.0	84.0	1.25	11.80	S, US	
	3600	143T	121514.00	✓	663	C143T34DB4	36	208-230/460	4.0	84.0	1.25	12.30	S, US	
	1800	56	110430.00	D	557	C6T17DB7	27	208-230/460	5.6	78.5	1.15	10.90	S, US	
	1800	56H	LM24117	D	501	SRD4S1.5T61	28	230/460	4.8	80.0	1.15	10.90	S, MX, 6	
	1800	56H	LM34053	✓	709	SRD4B1.5T61	34	230/460		86.5	1.15		S, MX, 6	
	1800	56	111309.00	C/A	615	A6T17DB26	33	208-230/460	5.6	78.5	1.15	10.90	S, US	
	1800	56HZ	115825.00	D	493	C6T17DB79	34	208-230/460	5.6	78.5	1.15	11.10	S, US, 5	
	1800	56HZ	E115825.00	✓	699	C6T17DB114	35	208-230/460	4.8	86.5	1.15	12.60	S, US, 5	
Three Phase ODP Motors	1800	56	116754.00	D	699	C6T17DB91	35	208-230/460	4.8	86.5	1.25	12.20	S, US	
	1800	56	E116754.00	✓	699	C6T17DB91	35	208-230/460	4.8	86.5	1.25	12.20	S, US	
	1800	145T	121004.00	✓	699	C145T17DB32	35	208-230/460	4.8	86.5	1.25	12.60	S, US	
	1800	145T	LM24875	✓	578	SSD4B1.5T61	45	230/460	5.0	85.5	1.15	13.00	S, MX	
	1200	182T	131971.00	✓	918	C182T11DB9	82	208-230/460	5.6	86.5	1.15	14.70	S, MX	
	1200	182T	199685.00	✓	747	C182T11DB10	75	230/460	4.4	86.5	1.15	13.72	C, CN	

Continued on next page

Green items are Premium Efficient
"E" prefix items comply with SMR 2015

▼ LM Numbers are Lincoln Models

C/A - Check Availability

D - To be discontinued when inventory is depleted

Specifications are subject to change without notice

♥ Note listing on inside back flap

Please view our on-line catalog for updated information that was unavailable at the time of this printing.



View On-line Technical Information



Three Phase ODP Motors

General Purpose - Standard, EPAct and Premium Efficient Motors

Tech Information

Single Phase ODP Motors

Single Phase TEFC Motors

Three Phase ODP Motors

Three Phase TEFC Motors

Inverter Duty Motors

Severe Duty Motors

Three Phase - Drip-Proof - Rigid Base

HP	SYN RPM 60 Hz	NEMA Frame	▼ Catalog Number	Stock	List Price	Model Number	App. Wgt. (lbs)	Voltage	F. L. Amps @ 230 V	% F.L. Eff.	Service Factor	"C" Dim. (Inches)	♥Notes
2	3600	56	113292.00	D	620	C6T34DB16	33	208-230/460	5.6	82.5	1.15	11.30	S, US
	3600	56	116755.00	D	781	C6T34DB32	—	208-230/460	4.8	85.5	1.25	12.20	S, US
	3600	56	E116755.00	√	781	C6T34DB32	—	208-230/460	4.8	85.5	1.25	12.20	S, US
	3600	56H	LM24877	D	646	SRD2S2T61	25	230/460	6.2	80.0	1.15	10.40	S, US, 6
	3600	145T	121515.00	√	781	C145T34DB15	43	208-230/460	4.8	85.5	1.25	12.60	S, US
1800	56H	113025.00	D	582	C6T17DB40	32	208-230/460	6.2	78.5	1.15	11.40	S, MX, 6	
	56H	LM24106	D	540	SRD4S2T61	36	230/460	6.8	81.5	1.15	11.90	S, MX, 47	
	56H	LM34054	C/A	806	SRD4B2T61	42	230/460	—	86.5	1.15	—	S, MX, 47	
	56HZ	115826.00	D	530	C6T17DB78	33	208-230/460	6.2	78.5	1.15	11.60	S, US, 5	
	56HZ	E115826.00	√	792	C6T17DB115	37	208-230/460	5.8	86.5	1.25	13.60	S, US, 5	
	56H	111310.00	C/A	710	A6T17DB27	36	208-230/460	6.2	78.7	1.15	11.40	S, US, 6, 33	
	56H	116756.00	D	792	C6T17DB96	37	208-230/460	5.8	86.5	1.25	13.20	S, US, 6	
	56H	E116756.00	√	792	C6T17DB96	37	208-230/460	5.8	86.5	1.25	13.20	S, US, 6	
	145T	121005.00	√	792	C145T17DB33	37	208-230/460	5.8	86.5	1.25	13.60	S, US	
	145T	LM24169	√	640	SSD4BT61	48	230/460	6.0	86.5	1.25	13.00	S, MX	
	1200	184T	131972.00	√	933	C184T11DB9	88	208-230/460	7.2	87.5	1.15	15.20	S, MX
	1200	184T	199686.00	√	760	C184T11DB10	99	230/460	5.8	87.5	1.15	14.72	C, CN
	3	3600	56H	113293.00	√	640	C6T34DB17	38	208-230/460	7.6	84.0	1.15	11.80
3600		56H	E113293.00	√	811	C6T34DB37	44	208-230/460	7.2	86.5	1.25	12.20	S, US, 6
3600		145T	121516.00	√	791	C145T34DB16	45	208-230/460	7.2	86.5	1.25	12.60	S, US
3600		145T	LM32731	√	720	SSD2B3T61	33	230/460	7.2	85.5	1.25	12.70	S, US
1800		56HZ	116595.00	D	632	C6T17DB90	44	208-230/460	8.6	82.5	1.15	13.10	S, US, 5
1800		182T	131519.00	√	810	C182T17DB37	75	208-230/460	7.9	89.5	1.25	13.70	S, MX
1800		182T	LM24222	√	834	SSD4B3T61	56	230/460	8.0	89.5	1.25	13.20	S, MX
1800		182T	199687.00	√	660	C182T17DB62	76	230/460	7.6	90.2	1.15	13.72	C, CN
1200		213T	171574.60	√	1,211	C213T11DB2	156	208-230/460	10.0	88.5	1.25	16.40	C, CN
1200		213T	199688.00	√	1,042	C213T11DB12	156	230/460	12.4	87.5	1.15	17.52	C, CN
5	3600	184T	131986.00	√	867	C184T34DB11	86	208-230/460	12.0	86.5	1.15	15.20	S, MX
	3600	182T	199689.00	√	696	C182T34DB8	126	230/460	12.4	87.5	1.15	13.72	C, CN
	1800	184T	131520.00	√	913	C184T17DB44	86	208-230/460	12.8	89.5	1.25	15.20	S, MX
	1800	184T	LM24202	√	935	SSD4BT61	91	230/460	12.6	89.5	1.25	15.20	S, MX
	1800	184T	199690.00	√	743	C184T17DB84	86	230/460	12.8	89.5	1.15	14.72	C, CN
	1200	215T	171575.60	√	1,531	C215T11DB6	188	208-230/460	15.0	90.2	1.25	16.40	C, CN
	1200	215T	199691.00	√	1,213	C215T11DB10	281	230/460	14.0	89.5	1.15	17.52	C, CN
7 1/2	3600	184T	131988.00	√	1,254	C184T34DB12	106	208-230/460	17.6	88.5	1.15	16.20	S, MX
	3600	184T	199692.00	√	856	C184T34DB17	143	230/460	18.0	88.5	1.15	14.72	C, CN
	1800	213T	140470.00	√	1,145	C213T17DB2	133	208-230/460	20.6	91.0	1.25	16.30	S, MX
	1800	213T	LM24194	√	1,317	SSD4B7.5T61	121	230/460	19.2	91.0	1.25	18.50	S, US
	1800	213T	170142.60	√	1,215	C213T17DB44	163	208-230/460	19.8	91.0	1.25	16.40	C, CN
	1800	213T	199693.00	√	961	C213T17DB49	160	230/460	19.0	91.7	1.15	17.52	C, CN
	1200	254T	170145.60	√	1,917	C254T11DB43	291	208-230/460	22.4	91.7	1.25	20.94	C, CN
	1200	254T	199694.00	√	1,517	C254T11DB46	281	230/460	21.0	90.2	1.15	22.64	C, CN

Green items are Premium Efficient
 "E" prefix items comply with SMR 2015

Continued on next page

Please view our on-line catalog for updated information that was unavailable at the time of this printing.

▼ LM Numbers are Lincoln Models

C/A - Check Availability

D - To be discontinued when inventory is depleted

Specifications are subject to change without notice

♥ Note listing on inside back flap

View On-line Technical Information



Three Phase ODP Motors

General Purpose - Standard,
EPA and Premium Efficient Motors

Three Phase - Drip-Proof - Rigid Base

HP	SYN RPM 60 Hz	NEMA Frame	▼ Catalog Number	Stock	List Price	Model Number	App. Wgt. (lbs)	Voltage	F. L. Amps @ 230 V	% F.L. Eff.	Service Factor	"C" Dim. (Inches)	♥Notes	
10	3600	213T	140753.00	✓	1,321	C213T34DB4	160	208-230/460	23.4	89.5	1.15	17.30	S, MX	
	3600	213T	LM32740	✓	1,396	SSD2B10T61	138	230/460	24.0	89.5	1.25	18.00	S, US	
	3600	213T	170143.60	✓	1,405	C213T34DB45	153	208-230/460	23.6	91.0	1.15	16.40	C, CN	
	3600	213T	199695.00	✓	1,098	C213T34DB48	150	230/460	23.0	89.5	1.15	17.52	C, CN	
	1800	215T	140472.00	✓	1,353	C215T17DB15	144	208-230/460	26.8	91.7	1.25	17.30	S, MX	
	1800	215T	LM24193	✓	1,471	SSDB10T61	155	230/460	25.0	91.7	1.25	18.50	S, US	
	1800	215T	170144.60	✓	1,433	C215T17DB49	203	208-230/460	25.6	91.7	1.15	17.90	C, CN	
	1800	215T	199696.00	✓	1,135	C215T17DB58	220	230/460	25.6	91.7	1.15	17.52	C, CN	
1200	256T	170146.60	✓	2,389	C256T11DB45	305	208-230/460	29.6	91.7	1.25	22.60	C, CN		
	256T	199697.00	✓	1,891	C256T11DB48	305	230/460	27.6	91.7	1.15	24.22	C, CN		
	15	3600	215T	140754.00	✓	1,755	C215T34DB4	170	208-230/460	35.0	91.0	1.15	18.60	S, MX
		3600	215T	LM32743	✓	1,865	SSD2B15T61	135	230/460	35.0	90.2	1.25	18.50	S, US
		3600	215T	170064.60	✓	1,888	C215T34DB3	178	208-230/460	34.6	91.0	1.25	17.90	C, CN
		3600	215T	199698.00	✓	1,608	C215T34DB6	184	230/460	35.0	91.0	1.15	17.52	C, CN
		1800	254T	170065.60	✓	1,908	C254T17DB9	289	208-230/460	37.0	93.0	1.15	20.90	C, CN
		1800	254T	LM24190	✓	2,194	CCD4B15T61	300	230/460	37.0	93.0	1.25	22.90	C, US
1800		254T	199699.00	✓	1,840	C254T17DB46	310	230/460	36.5	93.0	1.15	22.64	C, CN	
1200		284T	170067.60	✓	3,146	C284T11DB7	445	208-230/460	39.4	92.4	1.25	23.50	S, CN	
1200	284T	199700.00	✓	2,490	C284T11DB9	414	230/460	40.0	91.7	1.15	25.71	C, CN		
20	3600	254T	170032.60	✓	2,370	C254T34DB5	285	208-230/460	46.0	93.0	1.15	20.90	C, CN	
	3600	254T	199701.00	✓	1,853	C254T34DB6	300	230/460	45.0	91.7	1.15	22.64	C, CN	
	1800	256T	170006.60	✓	2,330	C256T17DB5	334	208-230/460	51.0	93.0	1.15	22.60	C, CN	
	1800	256T	LM24199	✓	2,531	CCD4B20T61	350	230/460	48.0	93.0	1.25	24.40	C, US	
	1800	286T	LM32746	✓	3,466	SSD4B20T61	233	230/460	48.0	93.0	1.25	25.20	S, US	
	1800	256T	199702.00	✓	1,945	C256T17DB12	360	230/460	48.0	93.0	1.15	24.22	C, CN	
	1200	286T	170000.60	✓	3,884	C286T11DB1	467	208-230/460	55.0	92.4	1.15	25.00	C, CN	
	1200	286T	199703.00	✓	3,034	C286T11DB7	457	230/460	54.0	92.4	1.15	27.09	C, CN	
25	3600	256T	170034.60	✓	2,942	C256T34DB5	325	208-230/460	52.4	93.0	1.15	22.60	C, CN	
	3600	256T	199704.00	✓	2,359	C256T34DB10	315	230/460	55.0	91.7	1.15	24.22	C, CN	
	1800	284T	170009.60	✓	2,942	C284T17DB7	414	208-230/460	59.6	93.6	1.15	23.50	C, CN	
	1800	284T	LM29576	✓	3,274	CCD4B25T61Y	435	230/460	64.0	93.6	1.25	24.90	C, US	
	1800	284TS	LM32748	C/A	3,274	CCD4B25TS61Y	435	230/460	64.0	93.6	1.25	23.60	C, US	
	1800	284T	199705.00	✓	2,295	C284T17DB11	424	230/460	62.0	93.6	1.15	25.71	C, CN	
	1200	324T	170002.60	✓	4,626	C324T11DB5	670	208-230/460	67.0	93.0	1.15	26.02	C, CN	
	1200	324T	199706.00	✓	3,614	C324T11DB7	695	230/460	68.0	93.0	1.15	28.55	C, CN	
30	3600	284TS	170036.60	✓	3,416	C284T34DB4	406	208-230/460	67.0	94.1	1.15	22.20	C, CN	
	3600	284T	LM32687	C/A	6,344	SD2B30T61Y	348	230/460	67.0	91.7	1.25	23.00	S, US	
	3600	284TS	199707.00	✓	2,918	C284T34DB9	396	230/460	66.5	91.7	1.15	24.41	C, CN	
	1800	286T	170013.60	✓	3,189	C286T17DB8	490	208-230/460	71.0	94.1	1.15	25.00	C, CN	
	1800	286T	LM29577	✓	3,795	CCD4B30T61Y	400	230/460	74.0	94.1	1.25	26.80	C, US	
	1800	286TS	LM32749	C/A	3,795	CCD4B39TS61Y	400	230/460	73.0	94.1	1.25	25.40	C, US	
	1800	286T	199708.00	✓	2,648	C286T17DB14	483	230/460	74.0	94.1	1.15	27.09	C, CN	
	1200	326T	170004.60	✓	4,824	C326T11DB1	760	208-230/460	78.0	93.6	1.15	27.50	C, CN	
1200	326T	199709.00	✓	4,236	C326T11DB7	760	230/460	81.0	93.6	1.15	29.73	C, CN		

Continued on next page

Green items are Premium Efficient

▼ LM Numbers are Lincoln Models

C/A - Check Availability

Specifications are subject to change without notice

♥ Note listing on inside back flap



View On-line Technical Information



Three Phase ODP Motors

General Purpose - Standard, EPAct and Premium Efficient Motors

Tech Information

Single Phase ODP Motors

Single Phase TEFC Motors

Three Phase ODP Motors

Three Phase TEFC Motors

Inverter Duty Motors

Severe Duty Motors

Three Phase - Drip-Proof - Rigid Base

HP	SYN RPM 60 Hz	NEMA Frame	▼ Catalog Number	Stock	List Price	Model Number	App. Wgt. (lbs)	Voltage	F. L. Amps @ 230 V	% F.L. Eff.	Service Factor	"C" Dim. (Inches)	♥Notes
40	3600	286TS	170038.60	√	4,495	C286T34DB3	451	208-230/460	91.2	93.6	1.15	23.60	C, CN
	3600	286TS	LM13969	C/A	7,636	SD2B40TS61Y	389	230/460	90.0	93.6	1.25	23.30	S, US
	3600	286T	LM32750	√	7,636	SD2B40T61Y	389	230/460	90.0	92.4	1.25	24.50	S, US
	3600	286TS	199710.00	√	3,512	C286T34DB6	452	230/460	89.0	92.4	1.15	25.79	C, CN
	1800	324T	170017.60	√	4,201	C324T17DB8	591	208-230/460	96.0	94.1	1.15	26.00	C, CN
	1800	324T	LM13811	√	8,099	SD4B40T61Y	469	230/460	104.0	94.1	1.25	25.80	S, US
	1800	324TS	LM32751	C/A	8,099	SD4B40TS61Y	469	230/460	103.0	94.1	1.25	24.30	S, US
	1800	324T	199711.00	√	3,328	C324T17DB12	581	230/460	95.0	94.5	1.15	28.55	C, CN
	1200	364T	170147.60	√	6,879	C364T11DB1	892	208-230/460	103.0	94.1	1.15	28.00	C, CN
	1200	364T	199712.00	√	5,437	C364T11DB8	875	230/460	99.0	94.1	1.15	31.69	C, CN
50	3600	324TS	170040.60	√	5,483	C324T34DB3	558	208-230/460	112.0	94.1	1.25	24.50	C, CN
	3600	324T	LM32752	C/A	7,691	SD2B50T61Y	469	230/460	122.0	93.0	1.25	25.80	S, US
	3600	324TS	199713.00	√	4,281	C324T34DB6	548	230/460	113.0	93.0	1.15	27.05	C, CN
	1800	326T	170021.60	√	5,075	C326T17DB5	660	208-230/460	118.0	94.5	1.15	27.50	C, CN
	1800	326T	LM13813	√	8,199	SD4B50T61Y	522	230/460	131.0	95.0	1.25	27.30	S, US
	1800	326TS	LM32674	√	8,199	SD4B50T61Y	522	230/460	131.0	94.5	1.25	25.80	S, US
	1800	326T	199714.00	√	3,966	C326T17DB9	710	230/460	118.0	94.5	1.15	29.73	C, CN
	1200	365T	199715.00	√	6,259	C365T11DB6	930	230/460	122.0	94.1	1.15	33.27	C, CN
	1200	365T	170148.60	√	7,868	C365T11DB1	918	208-230/460	128.0	94.5	1.15	33.60	C, CN
	1200	365T	170042.60	√	6,557	C326T34DB5	600	208-230/460	136.0	94.1	1.25	26.00	C, CN
60	3600	326TS	LM13814	√	7,469	SD2B60TS61Y	522	230/460	136.0	94.5	1.25	25.80	S, US
	3600	326T	LM32682	C/A	7,469	SDB60T61Y	522	230/460	136.0	93.6	1.25	27.30	S, US
	3600	326TS	199716.00	√	5,123	C326T34DB8	590	230/460	134.0	93.6	1.15	28.23	C, CN
	1800	364T	170025.60	√	5,588	C364T17DB7	736	208-230/460	139.0	94.1	1.15	31.50	C, CN
	1800	364T	LM14813	√	11,096	SD4B60T61Y	712	230/460	140.0	95.0	1.25	28.40	S, US
	1800	364TS	LM32753	C/A	11,096	SD4B60TS61Y	712	230/460	140.0	95.0	1.25	26.30	S, US
	1800	364T	199717.00	√	4,715	C364T17DB8	1005	230/460	139.0	95.0	1.15	31.69	C, CN
	1200	404T	170149.60	√	8,709	C404T11DB5	1031	208-230/460	159.0	94.5	1.25	32.80	C, CN
	1200	404T	199718.00	√	7,532	C404T11DB7	975	230/460	144.0	94.5	1.15	37.20	C, CN
	1200	405T	170044.60	√	8,664	C364T34DB3	740	208-230/460	170.0	94.1	1.15	26.90	C, CN
75	3600	364TS	LM14812	√	12,062	SD2B75TS61Y	712	230/460	164.0	94.5	1.25	26.90	S, US
	3600	364T	LM32754	C/A	12,062	SD2B75T61Y	712	230/460	164.0	93.6	1.25	28.40	S, US
	3600	364TS	199719.00	√	6,768	C364T34DB5	937	230/460	166.0	93.6	1.15	29.57	C, CN
	1800	365T	170029.60	√	6,890	C365T17DB5	1050	208-230/460	174.0	94.5	1.15	31.20	C, CN
	1800	365T	LM14815	√	11,294	SD4B75T61Y	763	230/460	176.0	95.0	1.25	28.40	S, US
	1800	365TS	LM32755	√	11,294	SD4B75TS61Y	763	230/460	180.0	95.0	1.25	27.30	S, US
	1800	365T	199720.00	√	5,647	C365T17DB8	1030	230/460	174.0	95.0	1.15	33.27	C, CN
	1200	405T	170150.60	√	10,322	C405T11DB6	1275	208-230/460	199.0	94.5	1.25	34.30	C, CN
	1200	405T	199721.00	√	9,258	C405T11DB8	1100	230/460	180.0	94.5	1.15	38.78	C, CN
	1200	405T	170151.60	√	9,794	C365T34DB4	980	208-230/460	226.0	94.5	1.15	29.10	C, CN
100	3600	365TS	LM14814	√	10,908	SD2B100TS61Y	763	230/460	220.0	95.0	1.25	27.30	S, US
	3600	365T	LM32756	C/A	10,908	SD2B100T61Y	763	230/460	220.0	93.6	1.25	29.40	S, US
	3600	365TS	199722.00	√	8,282	C365T34DB7	1016	230/460	222.0	93.6	1.15	31.14	C, CN
	1800	404T	170152.60	√	9,428	C404T17DB5	1183	208-230/460	225.0	95.4	1.25	32.80	C, CN
	1800	405T	LM13943	√	12,438	SD4B100T61Y	882	230/460	244.0	95.4	1.25	31.80	S, US
	1800	404TS	LM32757	√	12,438	SD4B100TS61Y	882	230/460	260.0	95.4	1.25	29.20	S, US
	1800	404T	199723.00	√	7,363	C404T17DB8	1025	230/460	226.0	95.4	1.15	37.20	C, CN
	1200	444T	170269.60	√	12,192	C444T11DB4	2604	460	118.0*	95.4	1.25	40.00	C, CN
	1200	444T	199724.00	√	11,493	C444T11DB6	1675	230/460	232.0	95.0	1.15	44.57	C, CN

Green items are Premium Efficient

▼ LM Numbers are Lincoln Models

C/A - Check Availability

Specifications are subject to change without notice

♥ Note listing on inside back flap

Continued on next page

View On-line Technical Information



Three Phase ODP Motors

General Purpose - Standard,
EAct and Premium Efficient Motors

Three Phase - Drip-Proof - Rigid Base

HP	SYN RPM 60 Hz	NEMA Frame	▼ Catalog Number	Stock	List Price	Model Number	App. Wgt. (lbs)	Voltage	F. L. Amps @ 460 V	% F.L. Eff.	Service Factor	"C" Dim. (Inches)	♥ Notes	
125	3600	404TS	LM170154.60	√	11,322	C404T34DB1	1585	208-230/460	284.0	94.5	1.25	29.80	C, CN	
	3600	404TS	LM13942	C/A	13,247	SD2B125TS61Y	882	230/460	276.0	95.0	1.25	29.20	S, US	
	3600	404T	LM32758	C/A	13,247	SD2B125T61Y	882	230/460	276.0	94.1	1.25	32.00	S, US	
	3600	404TS	199725.00		9,909	C404T34DB5	973	460	138.0*	94.1	1.15	35.45	C, CN	
	1800	405T	LM170155.60	√	11,931	C405T17DB6	1292	230/460	280.0	95.4	1.25	34.30	C, CN	
	1800	405TS	LM32759	√	12,581	SD4B125TS61Y	958	230/460	306.0	95.4	1.25	30.70	S, US	
1200	1800	405T	199726.00		9,320	C405T17DB8	1150	460	140.0*	95.4	1.15	38.78	C, CN	
	1200	445T	LM170259.60	√	15,848	C445T11DB4	2200	460	148.0*	95.8	1.25	40.00	C, CN	
	1200	445T	199727.00		15,081	C445T11DB8	1799	460	145.0*	95.0	1.15	44.57	C, CN	
	150	3600	405TS	LM171449.60	√	13,968	C405T34DB2	1173	460	169.0*	94.5	1.15	31.30	C, CN
		3600	405TS	199728.00		11,594	C405T34DB4	1075	460	164.0*	94.1	1.15	35.45	C, CN
		1800	444T	LM171522.60	√	14,089	C444T17DB2	2150	460	164.0*	95.8	1.15	40.00	C, CN
1800		444T	LM13817	√	16,119	SD4B150T64Y	1277	460	170.0*	95.8	1.25	37.40	S, US	
1800		444TS	LM32760	√	16,119	SD4B150TS64Y	277	460	170.0*	95.8	1.25	33.50	S, US	
1800		444T	199729.00		12,512	C444T17DB7	1275	460	168.0*	95.8	1.15	44.57	C, CN	
1200	1200	445T	LM171576.60	√	17,002	C445T11DB5	2153	460	178.0*	95.8	1.25	40.00	C, CN	
	1200	447T	199730.00		15,507	C447T11DB3	2050	460	172.0*	95.4	1.15	49.69	C, CN	
	200	3600	444TS	LM171573.60	√	18,576	C444T35DB1	1765	460	216.0*	95.4	1.25	36.30	C, CN
		3600	444TS	199731.00		18,035	C444T34DB2	1277	460	215.0*	95.0	1.15	40.83	C, CN
		1800	445T	LM171523.60	√	16,249	C445T17DB14	2037	460	220.0*	95.8	1.25	40.00	C, CN
		1800	445T	LM13820	√	19,824	SD4B200T64Y	1438	460	233.0*	96.2	1.25	39.40	S, US
1800		445T	199732.00		15,700	C445T17DB18	1885	460	220.0*	95.8	1.15	44.57	C, CN	
1800		445TS	LM32761	√	19,824	SD4B200TS64Y	1449	460	233.0*	96.2	1.25	35.50	S, US	
1200	1200	447T	LM171577.60	√	22,350	C447T11DB1	2750	460	239.0*	96.2	1.25	48.50	C, CN	
	1200	449T	LM16239	√	22,226	SDB200T64Y	2112	460	255.0*	95.8	1.15	47.90	S, US	
	1200	449T	199733.00		19,773	C449T11DB1	2200	460	228.0*	95.4	1.15	49.96	C, CN	
	250	3600	445TS	LM13761	√	23,142	SD2P250TS64Y	1438	460	266.0	94.5	1.15	35.50	S, US
		1800	445T	G151524.60	√	18,238	C445T17DB10	1940	460	284.0	95.4	1.15	40.00	C, CN
		1800	445T	LM13762	√	21,345	SD4P250T64Y	1438	460	293.0	95.4	1.15	39.40	S, US
300		3600	447TS	LM13825	C/A	34,090	SD2B300TS64Y	1745	460	316.0	96.2	1.15	39.00	S, US
		3600	447TS	LM13764	C/A	26,997	SD2P300TS64Y	1745	460	316.0	95.4	1.15	39.00	S, US
		1800	447T	LM13826	√	28,731	SD4B300T64Y	1745	460	348.0	95.8	1.15	42.90	S, US
	1800	447T	LM13765	√	22,535	SD4P300T64Y	1745	460	349.0	95.4	1.15	42.90	S, US	
	1800	447TS	LM22758	C/A	22,535	SD4P300TS64Y	1745	460	349.0	95.4	1.15	39.00	S, US	
	1800	445T	G151525.60	√	20,923	C445T17DB11	2345	460	329.0	95.4	1.15	40.00	C, CN	
350	3600	449TS	LM16237	C/A	40,518	SD2B350TS64Y	2112	460	368.0	95.8	1.15	44.00	S, US	
	3600	447TS	LM13767	C/A	30,558	SD2P350TS64Y	1745	460	369.0	95.4	1.15	39.00	S, US	
	3600	449TS	LM16226	C/A	32,090	SD2P350TS64Y	2112	460	370.0	95.0	1.15	44.00	S, US	
	1800	447TS	LM15159	C/A	25,933	SD4P350T64Y	1745	460	406.0	95.4	1.00	39.00	S, US	
1800	1800	447T	G151518.60	√	23,092	N445T17DB9	2041	460	392.0	94.1	1.15	40.00	C, CN	
	400	3600	449TS	LM13831	C/A	44,605	SD2B400TS64Y	2112	460	430.0	95.8	1.15	44.00	S, US
		3600	449TS	LM13770	C/A	34,569	SD2P400TS64Y	2112	460	420.0	95.4	1.15	44.00	S, US
		1800	449T	LM13832	C/A	43,285	SD4B400T64Y	2112	460	445.0	96.2	1.15	47.90	S, US
1800		449T	LM13771	C/A	32,398	SD4P400T64Y	2112	460	460.0	95.8	1.15	47.90	S, US	
1800	449TS	LM22759	C/A	32,398	SD4P400TS64Y	2112	460	460.0	95.8	1.15	44.00	S, US		

Green items are Premium Efficient

▼ LM Numbers are Lincoln Models

C/A - Check Availability

Specifications are subject to change without notice

♥ Note listing on inside back flap



View On-line Technical Information



Three Phase C Face Motors

Drip-Proof - General Purpose

Tech Information

Single Phase
ODP Motors

Single Phase
TEFC Motors

Three Phase
ODP Motors

Three Phase
TEFC Motors

Inverter Duty
Motors

Severe Duty
Motors

Three Phase - Drip-Proof - C Face Less Base

HP	SYN RPM 60 Hz	NEMA Frame	▼ Catalog Number	Stock	List Price	Model Number	App. Wgt. (lbs)	Voltage	F. L. Amps @ 230 V	% F.L. Eff.	Service Factor	"C" Dim. (Inches)	♥ Notes
1/4	1800	S56C	103014.00	D	320	C4T17DC47	19	208-230/460	1.4	58.0	1.35	9.24	S, MX
	1800	S56C	E103014.00	√	414	C4T17DC55	20	208-230/460	1.0	69.5	1.35	10.34	S, MX
1/3	3600	S56C	100375.00	D	327	C4T34DC2	15	208-230/460	1.4	68.0	1.35	9.31	S, US
	3600	S56C	E100375.00	√	430	C4T34DC45	19	208-230/460		69.5	1.35		S, US
1/2	1800	S56C	100048.00	D	352	C4T17DC1	17	208-230/460	1.6	64.3	1.35	9.49	S, MX
	1800	S56C	102695.00	D	443	C4T17DC45	22	208-230/460	1.3	77.0	1.25	10.24	S, MX
	1800	S56C	E102695.00	√	443	C4T17DC45	22	208-230/460	1.3	77.0	1.25	10.24	S, MX
1/2	3600	S56C	100056.00	D	349	C4T34DC1	17	208-230/460	1.8	69.0	1.25	9.31	S, US
	3600	S56C	E100056.00	√	464	C4T34DC46	19	208-230/460		73.4	1.25		S, US
	1800	S56C	100049.00	D	407	C4T17DC2	21	208-230/460	2.0	68.0	1.25	9.99	S, MX
1/2	1800	S56C	102200.00	D	473	C4T17DC39	25	208-230/460	1.8	77.0	1.25	10.74	S, MX
	1800	56C	119352.00	√	500	C6T17DC97	29	208-230/460		78.2	1.25		S, US
	1200	56C	110434.00	D	601	C6T11DC1F	26	208-230/460	2.8	66.0	1.15	10.38	S, US
3/4	1200	56C	E110434.00	√	755	C6T11DC12	29	208-230/460		75.3	1.15		S, US
	3600	S56C	100378.00	√	416	C4T34DC3	20	208-230/460	2.4	79.0	1.25	9.81	S, US
	3600	S56C	E100378.00	√	468	C4T34DC3	20	208-230/460	2.4	79.0	1.25	9.81	S, US
3/4	3600	56C	LM24914	D	432	SRD2S0.75TCN61	20	230/460	3.2	74.0	1.25	10.44	S, US
	1800	S56C	100050.00	D	452	C4T17DC3	24	208-230/460	2.8	75.0	1.25	10.49	S, MX
	1800	56C	LM24915	D	486	SRD4S0.75TCN61	20	230/460	3.0	75.5	1.15	10.44	S, US
3/4	1800	56C	114934.00	D	507	C6T17DC68	29	208-230/460	2.4	81.5	1.25	10.86	S, US
	1800	56C	E114934.00	√	507	C6T17DC68	29	208-230/460	2.4	81.5	1.25	10.86	S, US
	1200	143TC	120063.00	√	652	C143T11DC1	20	208-230/460	3.0	80.0	1.15	12.12	S, US
3/4	1200	56C	116728.00	D	652	C6T11DC11	35	208-230/460	3.4	75.5	1.15	10.88	S, US
	1200	56C	E116728.00	√	791	C6T11DC13	36	208-230/460		81.7	1.15		S, US
	1	3600	56C	110111.00	√	478	C6T34DC7	22	208-230/460	3.2	77.0	1.25	9.88
1	3600	56C	E110111.00	√	478	C6T34DC7	22	208-230/460	3.2	77.0	1.25	9.88	S, US
	1800	143TC	G120172.00	√	559	C143T17DC13	30	208-230/460	3.1	82.5	1.15	11.68	S, US
	1800	56C	110043.00	D	494	C6T17DC1	22	208-230/460	4.2	78.5	1.15	10.38	S, US
1	1800	S56C	LM24917	D	524	SRD4S1TCN61	22	230/460	3.4	76.5	1.15	11.30	S, MX
	1800	56C	116740.00	D	736	C6T17DC80	32	208-230/460	3.4	85.5	1.25	11.68	S, US
	1800	56C	E116740.00	√	736	C6T17DC80	32	208-230/460	3.4	85.5	1.25	11.68	S, US
1	1800	143TC	121064.00	√	736	C143T17DC12	32	208-230/460	3.4	85.5	1.25	12.12	S, US
	1200	145TC	G120082.00	√	770	C145T11DC5	35	208-230/460	3.6	80.0	1.15	12.62	S, US
	1 1/2	3600	143TC	G121668.00	√	608	C143T34DC5	35	208-230/460	4.0	82.5	1.50	11.78
1 1/2	3600	56C	110437.00	√	554	C6T34DC12	27	208-230/460	4.2	81.5	1.15	10.84	S, US
	3600	56C	E110437.00	√	716	C4T34DC48	35	208-230/460	4.0	84.0	1.25	11.80	S, US
	1800	145TC	G120081.00	√	599	C145T17DC42	37	208-230/460	4.4	84.0	1.15	12.12	S, US
1 1/2	1800	56C	110044.00	D	575	C6T17DC2	27	208-230/460	5.6	78.5	1.15	10.88	S, US
	1800	56C	116741.00	D	768	C6T17DC81	36	208-230/460	5.6	86.5	1.25	12.68	S, US
	1800	56C	E116741.00	√	768	C6T17DC81	36	208-230/460	5.6	86.5	1.25	12.68	S, US
1 1/2	1800	143TC	121063.00	√	768	C145T17DC30	36	208-230/460	5.6	86.5	1.25	13.12	S, US
	1200	182TC	G132250.00	C/A	805	C182T11DC4	60	208-230/460	5.7	84.0	1.15	12.70	S, MX

Green items are Premium Efficient
"E" prefix items comply with SMR 2015

▼ LM Numbers are Lincoln Models

D - To be discontinued when inventory is depleted

Specifications are subject to change without notice

♥ Note listing on inside back flap

Continued on next page

Please view our on-line catalog for updated information that was unavailable at the time of this printing.

View On-line Technical Information



Three Phase C Face Motors

Drip-Proof - General Purpose

Three Phase - Drip-Proof - C Face Less Base

HP	SYN RPM 60 Hz	NEMA Frame	▼ Catalog Number	Stock	List Price	Model Number	App. Wgt. (lbs)	Voltage	F. L. Amps @ 230 V	% F.L. Eff.	Service Factor	"C" Dim. (Inches)	♥ Notes
2	3600	143TC	G121670.00	√	682	C145T34DC12	45	208-230/460	5.2	84.0	1.15	12.18	S, US
	3600	56C	113894.00	D	641	C6T34DC63	31	208-230/460	5.6	82.5	1.15	11.34	S, US
	3600	56C	E113894.00	√	796	C6T34DC104	41	208-230/460	4.8	85.5	1.25	12.20	S, US
	3600	56HC	LM24921	D	668	SRD2S2TCN61	25	230/460	6.2	80.0	1.15	10.44	S, US
1800	145TC	G120035.00	√	654	C145T17DC41	39	208-230/460	6.4	84.0	1.15	12.69	S, US	
	56C	115553.00	D	615	C6T17DC77	32	208-230/460	6.2	78.5	1.15	11.19	S, US	
	56C	116742.00	D	864	C6T17DC82	41	208-230/460	5.8	86.5	1.25	13.18	S, US	
	56C	E116742.00	√	864	C6T17DC82	41	208-230/460	5.8	86.5	1.25	13.18	S, US	
	145TC	121071.00	√	876	C145T17DC31	41	208-230/460	5.8	86.5	1.25	13.62	S, US	
1200	184TC	G132059.00	C/A	837	C184T1DC5	81	208-230/460	7.2	85.5	1.15	13.63	S, MX	
3	3600	145TC	G121187.00	√	702	C145T34DC10	45	208-230/460	7.6	84.0	1.15	13.63	S, US
	3600	145TC	LM32793	D	813	SSD2P3TCN61	33	230/460	7.6	84.0	1.15	11.99	S, US
	3600	56C	114420.00	D	681	C6T34DC68	37	208-230/460	7.6	84.0	1.15	11.84	S, US
	3600	56C	E114420.00	√	827	C6T34DC105	45	208-230/460	7.2	85.5	1.25	13.18	S, US
	3600	56C	LM24923	D	713	SRD2S3TCN61	31	230/460	8.4	84.0	1.15	11.44	S, US
	1800	182TC	G131489.00	√	757	C182T17DC28	57	208-230/460	8.4	86.5	1.15	12.69	S, MX
1800	182TC	131518.00	√	926	C182T17DC20	75	208-230/460	7.8	89.5	1.25	13.20	S, MX	
1200	213TC	G140765.00	C/A	1,088	C213T11DC5	140	208-230/460	11.6	86.5	1.15	13.75	S, MX	
5	3600	145TC	G121664.00	√	741	C145T34DC11	47	208-230/460	12.4	85.5	1.15	13.75	S, US
	3600	182TC	G131779.00	√	777	C182T34DC11	64	208-230/460	12.2	85.5	1.15	13.20	S, MX
	1800	184TC	G131490.00	√	796	C184T17DC27	69	208-230/460	13.2	87.5	1.15	13.69	S, MX
	1800	184TC	LM24234	√	800	SSD4P5TCN61	93	230/460	13.2	87.5	1.25	15.78	S, MX
	1800	184TC	131517.00	√	1,088	C184T17DC16	96	208-230/460	12.8	89.5	1.25	15.20	S, MX
7 1/2	3600	184TC	G131780.00	√	1,136	C184T34DC9	78	208-230/460	17.6	87.5	1.15	14.70	S, MX
	1800	213TC	G140580.00	√	1,054	C213T17DC11	144	208-230/460	20.6	88.5	1.15	15.75	S, MX
	1800	213TC	140483.00	√	1,205	C213T17DC7	132	208-230/460	20.6	91.0	1.25	16.25	S, MX
10	3600	213TC	G140688.00	√	1,295	C213T34DC1	138	208-230/460	23.4	88.5	1.15	16.53	S, MX
	1800	215TC	G140108.00	√	1,296	C215T17DC8	132	208-230/460	28.0	89.5	1.15	16.75	S, MX
	1800	215TC	140485.00	C/A	1,362	C213T17DC5	144	208-230/460	26.8	91.9	1.25	17.25	S, MX
15	3600	215TC	G140689.00	√	1,794	C215T34DC2	145	208-230/460	34.0	89.5	1.15	19.28	S, MX
	1800	254TC	G151682.60	√	1,898	C254T17DC3	265	208-230/460	37.6	91.0	1.15	21.32	C, CN
20	3600	254TC	G151683.60	√	2,283	C254T34DC3	258	208-230/460	46.6	90.2	1.15	21.38	C, CN
	1800	256TC	G151684.60	√	2,319	C256T17DC5	307	208-230/460	48.0	91.0	1.15	23.03	C, CN
25	3600	256TC	G151685.60	√	2,654	C256T34DC2	292	208-230/460	57.0	91.0	1.15	22.60	C, CN
	1800	284TC	G151686.60	√	2,826	C284T17DC2	388	208-230/460	59.6	91.7	1.15	23.54	C, CN
30	3500	284TSC	G151687.60	√	3,095	C283T34DC3	373	208-230/460	70.4	91.0	1.15	25.00	C, CN

Green items are Premium Efficient
 "E" prefix items comply with SMR 2015

▼ LM Numbers are Lincoln Models

C/A - Check Availability

D - To be discontinued when inventory is depleted

♥ Note listing on inside back flap

Specifications are subject to change without notice



View On-line Technical Information



Three Phase C Face Motors

Drip-Proof - General Purpose

Three Phase - Drip-Proof - C Face With Base

HP	SYN RPM 60 Hz	NEMA Frame	▼ Catalog Number	Stock	List Price	Model Number	App. Wgt. (lbs)	Voltage	F. L. Amps @ 230 V	% F.L. Eff.	Service Factor	"C" Dim. (Inches)	♥Notes
1/3	1800	S56C	100599.00	D	401	C4T17DK1	18	208-230/460	1.6	64.3	1.35	9.49	S, MX
	1800	S56C	LM24277	D	381	SRDAS0.33TC61	15	230/460	2.2	67.0	1.35	9.80	S, MX
	1800	S56C	103021.00	D	465	C4T17DK9	23	208-230/460	1.3	77.0	1.25	10.24	S, MX
	1800	S56C	E103021.00	✓	465	C4T17DK9	23	208-230/460	1.3	77.0	1.25	10.24	S, MX
1/2	3600	S56C	100600.00	D	381	C4T34DK1	17	208-230/460	2.4	69.0	1.25	9.31	S, US
	3600	S56C	E100600.00	✓	493	C4T34DK18	27	208-230/460		78.2	1.25		S, US
	1800	S56C	100601.00	D	459	C4T17DK2	23	208-230/460	2.2	68.0	1.15	9.99	S, MX
	1800	S56C	103022.00	D	491	C4T17DK10	26	208-230/460	1.8	77.0	1.25	10.74	S, MX
3/4	1800	S56C	119353.00	✓	514	C6T17DK40	26	208-230/460		78.2	1.25		S, US
	3600	S56C	102971.00	D	439	C4T34DK9	21	208-230/460	2.4	79.0	1.25	9.85	S, US
	3600	S56C	E102971.00	✓	497	C4T34DK9	21	208-230/460	2.4	79.0	1.25	9.85	S, US
	3600	S56C	LM24882	D	480	SRD2S0.75TC61	21	230/460	3.2	74.0	1.25	10.44	S, US
1	1800	S56C	100602.00	D	503	C4T17DK3	25	208-230/460	2.8	75.0	1.25	10.49	S, MX
	1800	S56C	LM24267	D	508	SRD4S0.75TC61	20	230/460	2.8	75.5	1.25	10.80	S, MX
	1800	S56C	LM34055	✓	518	SRD4B0.75TC61	29	230/460		81.1	1.25		S, MX
	1800	S56C	116762.00	D	520	C6T17DK30	30	208-230/460	2.4	81.5	1.25	10.86	S, US
	1800	S56C	E116762.00	✓	520	C6T17DK30	30	208-230/460	2.4	81.5	1.25	10.86	S, US
	3600	S56C	116784.00	D	501	C6T34DK16	23	208-230/460	3.2	77.0	1.15	9.84	S, US
1 1/2	3600	S56C	E116784.00	✓	501	C6T34DK16	23	208-230/460	3.2	77.0	1.15	9.84	S, US
	1800	S56C	110901.00	D	591	C6T17DK3	28	208-230/460	4.2	78.5	1.15	10.38	S, US
	1800	S56C	LM24346	D	524	SRD4S1TC61	22	230/460	3.4	76.5	1.15	11.30	S, MX
	1800	S56C	LM34056	✓	755	SRD4B1TC61	34	208-230/460		83.5	1.15		S, MX
	1800	S56C	116763.00	D	744	C6T17DK33	33	208-230/460	3.4	85.5	1.25	11.68	S, US
	1800	S56C	E116763.00	✓	744	C6T17DK33	33	208-230/460	3.4	85.5	1.25	11.68	S, US
	1800	143TC	121674.00	D	744	C143T17DK5	34	208-230/460	3.2	85.5	1.25	12.12	S, US, ♣
	1800	143TC	121935.00	✓	684	C143T17DK6	34	208-230/460	3.2	85.5	1.25	12.12	S, US
2	3600	S56C	116785.00	D	593	C6T34DK17	28	208-230/460	4.2	81.5	1.15	10.84	S, US
	3600	S56C	E116785.00	✓	731	C6T34DK20	35	208-230/460	4.0	84.0	1.25	11.80	S, US
	1800	S56C	110902.00	D	620	C6T17DK4	29	208-230/460	5.6	78.5	1.15	10.88	S, US
	1800	56HC	LM24889	D	553	SRD4S1.5TC61	28	230/460	4.8	80.0	1.15	10.94	S, US, 6
	1800	56HC	LM34057	✓	786	SRD4B1.5TC61	34	230/460		86.5	1.15		S, US, 6
	1800	S56C	116764.00	D	770	C6T17DK32	37	208-230/460	5.6	86.5	1.15	12.68	S, US
	1800	S56C	E116764.00	✓	770	C6T17DK32	37	208-230/460	5.6	86.5	1.15	12.68	S, US
	1800	145TC	121675.00	✓	770	C145T17DK22	37	208-230/460	5.6	86.5	1.25	13.12	S, US
2	3600	S56C	114218.00	D	735	C6T34DK8	34	208-230/460	5.6	82.5	1.15	11.40	S, US
	3600	S56C	E114218.00	✓	808	C6T34DK25	41	208-230/460	4.8	85.5	1.25	12.20	S, US
	1800	56HC	116630.00	D	652	C6T17DK28	32	208-230/460	6.2	78.5	1.15	11.38	S, US, 6
	1800	56HC	LM24345	D	656	SRD4S2TC61	36	230/460	6.2	81.5	1.15	11.94	S, US, 6
	1800	56HC	LM34058	✓	879	SRD4B2TC61	42	230/460		86.5	1.25		S, US, 6
	1800	56HC	116765.00	D	871	C6T17DK31	42	208-230/460	5.8	86.5	1.25	13.18	S, US, 6
	1800	56HC	E116765.00	✓	871	C6T17DK31	42	208-230/460	5.8	86.5	1.25	13.18	S, US, 6
	1800	145TC	121676.00	✓	871	C145T17DK21	42	208-230/460	5.8	86.5	1.25	13.62	S, US

Green items are Premium Efficient
 "E" prefix items comply with SMR 2015

- D - To be discontinued when inventory is depleted
- ▼ LM Numbers are Lincoln Models
- C/A - Check Availability
- ♣ - 121674.00 has an oversized conduit box
- Specifications are subject to change without notice
- ♥ Note listing on inside back flap

Continued on next page

Please view our on-line catalog for updated information that was unavailable at the time of this printing.

View On-line Technical Information



Tech Information

Single Phase
ODP Motors

Single Phase
TEFC Motors

Three Phase
ODP Motors

Three Phase
TEFC Motors

Inverter Duty
Motors

Severe Duty
Motors

Three Phase C Face Motors

Drip-Proof - General Purpose

Three Phase - Drip-Proof - C Face With Base

HP	SYN RPM 60 Hz	NEMA Frame	▼ Catalog Number	Stock	List Price	Model Number	App. Wgt. (lbs)	Voltage	F. L. Amps @ 230 V	% F.L. Eff.	Service Factor	"C" Dim. (Inches)	♥ Notes
3	3600	56HC	LM24894	D	669	SRD2S3TC61	33	230/460	8.4	84.0	1.15	11.44	S, US, 6
	3600	145TC	121928.00	✓	802	C145T34DK16	45	230/460	7.2	85.5	1.25	13.76	S, US
	1800	56HCZ	116631.00	D	754	C6T17DK29	38	208-230/460	8.6	82.5	1.15	13.62	S, US, 6
	1800	182TC	132081.00	✓	943	C182T17DK17	76	208-230/460	7.8	89.5	1.25	14.20	S, MX
5	1800	182TC	199735.00	✓	765	C182T17DK42	77	230/460	7.6	90.2	1.15	14.45	C, CN
	3600	182TC	132242.00	✓	867	C184T34DK20	92	208-230/460	12.2	86.5	1.15	15.19	S, MX
	3600	182TC	199736.00	✓	804	C182T34DK18	128	230/460	12.4	87.5	1.15	14.45	C, CN
	1800	184TC	132082.00	✓	1,105	C184T17DK26	97	208-230/460	12.8	89.5	1.25	15.20	S, MX
7 1/2	1800	184TC	199737.00	✓	899	C184T17DK42	88	230/460	12.8	89.5	1.15	15.46	C, CN
	3600	184TC	132244.00	✓	1,309	C184T34DK21	106	208-230/460	17.6	88.5	1.15	16.19	S, MX
	3600	184TC	199738.00	✓	976	C184T34DK26	145	230/460	18.0	88.5	1.15	15.46	C, CN
	1800	213TC	140767.00	C/A	1,215	C213T17DK7	132	208-230/460	20.8	91.0	1.25	16.25	S, MX
10	1800	213TC	170170.60	✓	1,180	C213T17DK15	165	208-230/460	19.8	91.0	1.15	16.38	C, CN
	1800	213TC	199739.00	✓	1,125	C213T17DK45	162	230/460	19.0	91.7	1.15	18.10	C, CN
	3600	213TC	141111.00	✓	1,452	C213T34DK6	160	208-230/460	23.4	89.5	1.15	17.30	S, MX
	3600	213TC	LM32778	C/A	1,529	SSD2B10TC61	138	230/460	26.8	89.5	1.25	17.25	S, MX
	3600	213TC	170171.60	✓	1,575	C213T3DK7	195	208-230/460	27.6	89.5	1.15	16.38	C, CN
	3600	213TC	199740.00	✓	1,302	C213T34DK47	152	230/460	23.0	89.5	1.15	18.10	C, CN
	1800	215TC	140768.00	✓	1,378	C215T17DK6	144	208-230/460	26.8	91.9	1.25	17.25	S, MX
	1800	215TC	LM32649	✓	1,589	SSD4B10TC61	138	230/460	25.0	91.7	1.25	19.28	S, MX
15	1800	215TC	170172.60	✓	1,542	C215T17DK13	200	208-230/460	25.6	91.7	1.15	18.62	C, CN
	1800	215TC	199741.00	✓	1,320	C215T17DK45	223	230/460	25.6	91.7	1.15	18.10	C, CN
	3600	215TC	170173.60	✓	2,176	C215T34DK9	200	208-230/460	34.6	90.2	1.15	17.87	C, CN
	3600	215TC	141119.00	✓	1,876	C215T34DK3	170	208-230/460	35.0	91.0	1.15	18.55	S, MX
	3600	215TC	199742.00	✓	1,841	C215T34DK46	187	230/460	35.0	91.0	1.15	18.10	C, CN
	1800	254TC	170175.60	✓	2,202	C254T17DK7	280	208-230/460	37.0	93.0	1.15	20.94	C, CN
	1800	254TC	199743.00	✓	2,146	C254T17DK11	314	230/460	36.5	93.0	1.15	23.00	C, CN
	1800	254TC	LM32781	C/A	2,497	CCD4B15TC61	326	230/460	37.0	93.6	1.25	23.31	C, US
20	3600	254TC	170070.60	✓	2,631	C254T34DK6	280	208-230/460	46.6	91.0	1.15	20.94	C, CN
	3600	254TC	199744.00	✓	2,323	C254T34DK8	305	230/460	45.0	91.7	1.15	23.00	C, CN
	1800	256TC	170071.60	✓	2,679	C256T17DK6	340	208-230/460	51.0	93.0	1.15	22.60	C, CN
	1800	286TC	LM32783	✓	3,705	SSD4B20TC61	233	230/460	48.0	93.0	1.25	29.19	S, US
	1800	256TC	199745.00	✓	2,577	C256T17DK7	365	230/460	48.0	93.0	1.15	24.60	C, CN

Green items are Premium Efficient

Continued on next page

▼ LM Numbers are Lincoln Models

C/A - Check Availability

D - To be discontinued when inventory is depleted

Specifications are subject to change without notice

♥ Note listing on inside back flap



View On-line Technical Information



Three Phase C Face Motors

Drip-Proof - General Purpose

Three Phase - Drip-Proof - C Face With Base

HP	SYN RPM 60 Hz	NEMA Frame	▼ Catalog Number	Stock	List Price	Model Number	App. Wgt. (lbs)	Voltage	F. L. Amps @ 230 V	% F.L. Eff.	Service Factor	"C" Dim. (Inches)	♥ Notes
25	3600	256TC	171688.60	√	3,293	C256T34DK6	383	208-230/460	57.0	92.5	1.15	23.03	C, CN
	3600	256TSC	199746.00	√	2,724	C256T34DK7	321	230/460	55.0	91.7	1.15	24.60	C, CN
	1800	284TC	170073.60	√	3,385	C284T17DK4	404	208-230/460	59.6	93.6	1.15	23.54	C, CN
	1800	284TSC	LM32785	√	3,589	CCD4B25TSC61Y	447	230/460	62.0	93.6	1.25	23.57	C, US
	1800	284TC	199747.00	√	2,996	C284T17DK5	430	230/460	62.0	93.6	1.15	25.71	C, CN
30	1200	324TC	LM14535	√	5,766	SD6B25TC61Y	479	230/460	65.0	93.0	1.25	28.00	S, US
	3600	284TSC	LM17382	√	5,891	SD2B30TSC61Y	355	230/460	67.0	93.0	1.25	21.78	S, US
	3600	284TSC	199748.00	√	3,351	C284T34DK3	401	230/460	66.5	91.7	1.15	24.41	C, CN
	1800	286TC	171377.60	√	3,875	C286T17DK5	471	208-230/460	71.0	94.1	1.15	25.00	C, CN
40	1800	286TSC	LM32786	√	4,157	CCD4B30TSC61Y	400	230/460	74.0	94.1	1.25	25.44	C, US
	1800	286TC	199749.00	√	3,619	C286T17DK6	488	230/460	74.0	94.1	1.15	27.09	C, CN
	3600	286TSC	LM17384	√	7,699	SD2B40TSC61Y	406	230/460	90.0	93.6	1.25	23.28	S, US
	3600	286TSC	199750.00	√	4,022	C286T34DK3	456	230/460	89.0	92.4	1.15	25.79	C, CN
	1800	324TC	170378.60	√	4,911	C324T17DK10	560	208-230/460	96.0	94.1	1.15	26.02	C, CN
50	1800	324TC	LM13837	C/A	8,373	SD4B40TC61Y	479	230/460	103.0	94.1	1.25	25.91	S, US
	1800	324TC	199751.00	√	4,214	C324T17DK11	587	230/460	95.0	94.5	1.15	28.55	C, CN
	3600	324TSC	LM13838	√	7,739	SD2B50TSC61Y	479	230/460	110.0	94.1	1.25	24.41	S, US
	3600	324TSC	199752.00	√	4,894	C324T34DK3	554	230/460	113.0	93.0	1.15	27.05	C, CN
	1800	326TC	170379.60	√	5,816	C326T17DK4	614	208-230/460	118.0	94.5	1.15	27.52	C, CN
60	1800	326TC	LM13839	√	8,377	SD4B50TC61Y	479	230/460	130.0	94.5	1.25	27.41	S, US
	1800	326TSC	LM32655	√	8,377	SD4B50TSC61Y	532	230/460	131.0	94.5	1.25	25.91	S, US
	1800	326TC	199753.00	√	4,846	C326T17DK5	716	230/460	118.0	94.5	1.15	29.73	C, CN
	3600	326TSC	LM13840	C/A	7,454	SD2B60TSC61Y	535	230/460	136.0	93.6	1.25	25.91	S, US
	3600	326TSC	199754.00	√	5,865	C326T34DK1	597	230/460	134.0	93.6	1.15	28.23	C, CN
75	1800	364TC	171689.60	√	7,300	C364T17DK2	716	208-230/460	139.0	95.0	1.15	28.01	C, CN
	1800	364TSC	LM32787	√	11,222	SD4B60TSC61Y	724	230/460	140.0	94.5	1.25	28.35	S, US
	1800	364TC	LM15570	C/A	11,222	SD4B60TC61Y	724	230/460	140.0	95.0	1.25	28.35	S, US
	1800	364TC	199755.00	√	6,502	C364T17DK5	1011	230/460	139.0	95.0	1.15	31.69	C, CN
	3600	364TSC	LM15569	√	11,895	SD2B75TSC61Y	724	230/460	164.0	95.0	1.25	26.27	S, US
100	3600	364TSC	199756.00	√	7,711	C364T34DK1	943	230/460	166.0	93.6	1.15	29.57	C, CN
	1800	365TC	171690.60	√	8,866	C365T17BK2	766	208-230/460	172.0	95.0	1.15	31.18	C, CN
	1800	365TSC	LM32656	√	11,185	SD4B75TSC61Y	775	230/460	176.0	95.0	1.25	27.27	S, US
	1800	365TC	199816.00	√	6,850	C365T17DK3	1036	230/460	174.0	95	1.15	33.27	C, CN
	3600	365TSC	LM15572	C/A	12,220	SD2B100TSC61Y	775	230/460	110.0	95.4	1.25	27.27	S, US
125	3600	365TSC	199758.00	√	9,433	C365T34DK1	1022	230/460	222.0	93.6	1.15	31.14	C, CN
	1800	404TC	171691.60	√	11,285	C404T17DK2	1141	208-230/460	225.0	95.4	1.15	32.76	C, CN
	1800	404TSC	LM32788	√	12,071	SD4B100TSC1Y	898	230/460	130.0	95.4	1.25	29.16	S, US
	1800	404TC	199759.00	√	9,270	C404T17DK3	1033	230/460	226.0	95.4	1.15	37.20	C, CN
	3600	404TSC	LM17388	C/A	15,647	SD2B125TSC61Y	898	230/460	138.0	95.0	1.25	29.16	S, US
150	1800	405TSC	LM32657	√	12,602	SD4B125TSC61Y	974	230/460	153.0	95.4	1.25	30.66	S, US
	1800	405TC	LM17389	C/A	12,602	SD4B125TC61Y	974	230/460	153.0	95.4	1.25	33.66	S, US
	3600	405TSC	LM17390	C/A	18,416	SD2B150TSC61Y	974	230/460	169.0	94.1	1.25	30.66	S, US
200	1800	444TSC	LM32789	√	16,146	SD4B150TSC64Y	1298	460	170.0*	95.8	1.25	33.50	S, US
	1800	444TSC	LM13795	C/A	22,571	SD2B200TSC64Y	1298	460	216.0*	95.8	1.25	33.50	S, US
	1800	445TSC	LM32677	√	19,867	SD4B200TSC64Y	1470	460	233.0*	96.2	1.25	35.50	S, US

Green items are Premium Efficient

* F.L. Amps at 460V

▼ LM Numbers are Lincoln Models

C/A - Check Availability

Specifications are subject to change without notice

♥ Note listing on inside back flap

View On-line Technical Information



Tech Information

Single Phase
ODP Motors

Single Phase
TEFC Motors

Three Phase
ODP Motors

Three Phase
TEFC Motors

Inverter Duty
Motors

Severe Duty
Motors

Three Phase ODP Motors

ecoSaver™

General Purpose

Rigid Base – C Face Less Base – C Face With Base

Premium Efficient



Motors for Small Motor Rule (SMR) 2015

- These motors comply with the DOE Small Motor Rule 2010
- This rule making takes effect on March 9, 2015

Three Phase – Drip-Proof – Rigid Base

HP	SYN RPM 60 Hz	NEMA Frame	▼ Catalog Number	Stock	List Price	Model Number	App. Wgt. (lbs)	Voltage	F. L. Amps @ 230 V	% F. L. Eff.	Service Factor	"C" Dim. (Inches)	♥ Notes
1/4	1800	S56	E100027.00	✓	412	C4T17DH45	17	208-230/460	1.0	72.4	1.35	10.97	S, MX
	1800	48	LM34048	✓	427	SPD4B0.25T61	20	230/460	1.0	72.4	1.35	10.59	S, MX
1/3	3600	48	E101447.00	✓	423	C4T34DB7	18	208-230/460		73.4	1.35		S, US
	1800	48	E100446.00	✓	443	C4T17DB17	18	208-230/460	1.2	73.4	1.35	10.84	S, MX
	1800	S56	LM34049	✓	459	SRD4B0.33T61	23	208-230/460	1.3	77.0	1.25	10.20	S, MX
	1800	S56	E103017.00	✓	449	C4T17DH39	23	208-230/460	1.3	77.0	1.25	10.20	S, MX
	1200	56	E110425.00	✓	702	C6T11DH2	28	208-230/460		73.4	1.15		S, US
1/2	3600	S56	E101448.00	✓	455	C4T34DH7	19	208-230/460	1.8	73.4	1.25	9.40	S, US
	1800	56	LM34050	✓	486	SRD4B0.5T61	25	230/460		78.2	1.25		S, MX
	1800	56	E119351.00	✓	482	C6T17DB113	29	208-230/460		78.2	1.25		S, US
	1200	56	E110027.00	✓	741	C6T11DB22	29	208-230/460		75.3	1.15		S, US
3/4	3600	S56	E101449.00	✓	464	C4T34DH8	20	208-230/460	2.4	79.0	1.25	9.90	S, US
	1800	S56	LM34051	✓	498	SRD4B0.75T61	24	230/460		81.1	1.25		S, MX
	1800	56	E116738.00	✓	488	C6T17DB95	30	208-230/460	2.4	81.5	1.25	10.90	S, US
	1200	56	E110028.00	✓	775	C6T11DB23	30	208-230/460		81.7	1.15		S, US
1	3600	56	E110426.00	✓	471	C6T34DB1	22	208-230/460	3.2	77.0	1.25	9.80	S, US
	1800	56	E116752.00	✓	670	C6T17DB92	36	208-230/460	3.2	85.5	1.25	11.70	S, US
	1800	56	LM34052	✓	580	SRD4B1T61	34	230/460		83.5	1.15		S, MX
	1800	56HZ	E115827.00	✓	597	C6T17DB117	34	208-230/460	3.2	83.5	1.15	12.12	S, US, 5
1 1/2	3600	56	E116753.00	✓	663	C6T34DB31	36	208-230/460	4.0	84.0	1.25	11.80	S, US
	1800	56	E116754.00	✓	699	C6T17DB91	35	208-230/460	4.8	86.5	1.25	12.20	S, US
	1800	56H	LM34053	✓	709	SRD4B1.5T61	34	230/460		86.5	1.15		S, MX, 6
	1800	56HZ	E115825.00	✓	699	C6T17DB114	35	208-230/460	4.8	86.5	1.15	12.60	S, US, 5
2	3600	56	E116755.00	✓	781	C6T34DB32	43	208-230/460	4.8	85.5	1.25	12.20	S, US
	1800	56H	E116756.00	✓	792	C6T17DB96	37	208-230/460	5.8	86.5	1.25	13.20	S, US, 6
	1800	56H	LM34054	C/A	806	SRD4B2T61	42	230/460		86.5	1.15		S, MX, 47
	1800	56HZ	E115826.00	✓	792	C6T17DB115	37	208-230/460	5.8	86.5	1.25	13.60	S, US, 5
3	3600	56H	E113293.00	✓	811	C6T34DB37	44	208-230/460	7.2	86.5	1.25	12.20	S, US, 6

Green items are Premium Efficient
"E" prefix items comply with SMR 2015

▼ LM Numbers are Lincoln Models

C/A - Check Availability

Specifications are subject to change without notice

Please view our on-line catalog for updated information that was unavailable at the time of this printing.

♥ Note listing on inside back flap



View On-line Technical Information





Three Phase ODP Motors **ecoSaver**

General Purpose
Rigid Base – C Face Less Base – C Face With Base
Premium Efficient

Three Phase – Drip-Proof – C Face Less Base

HP	SYN RPM 60 Hz	NEMA Frame	▼ Catalog Number	Stock	List Price	Model Number	App. Wgt. (lbs)	Voltage	F. L. Amps @ 230 V	% F. L. Eff.	Service Factor	"C" Dim. (Inches)	♥ Notes
1/4	1800	S56C	E103014.00	✓	414	C4T17DC55	20	208-230/460	1.0	69.5	1.35	10.34	S, MX
1/3	3600	S56C	E100375.00	✓	430	C4T34DC45	19	208-230/460		69.5	1.35		S, US
	1800	S56C	E102695.00	✓	443	C4T17DC45	22	208-230/460	1.3	77.0	1.25	10.24	S, MX
1/2	3600	S56C	E100056.00	✓	464	C4T34DC46	22	208-230/460		73.4	1.15		S, MX
	1800	56C	E119352.00	✓	500	C6T17DC97	29	208-230/460		78.2	1.25		S, US
	1200	56C	E110434.00	✓	755	C6T11DC12	29	208-230/460		75.3	1.15		S, US
3/4	3600	S56C	E100378.00	✓	468	C4T34DC3	20	208-230/460	2.4	79.0	1.25	9.81	S, US
	1800	56C	E114934.00	✓	507	C6T17DC68	29	208-230/460	2.4	81.5	1.25	10.86	S, US
	1200	56C	E116728.00	✓	791	C6T11DC13	36	208-230/460		81.7	1.15		S, US
1	3600	56C	E110111.00	✓	478	C6T34DC7	22	208-230/460	3.2	77.0	1.25	9.88	S, US
	1800	56C	E116740.00	✓	736	C6T17DC80	32	208-230/460	3.4	85.5	1.25	11.68	S, US
1 1/2	3600	56C	E110437.00	✓	716	C4T34DC48	35	208-230/460	4.0	84.0	1.25	11.80	S, US
	1800	56C	E116741.00	✓	768	C6T17DC81	36	208-230/460	5.6	86.5	1.25	12.68	S, US
2	3600	56C	E113894.00	✓	796	C6T34DC104	41	208-230/460	4.8	85.5	1.25	12.20	S, US
	1800	56C	E116742.00	✓	864	C6T17DC82	41	208-230/460	5.8	86.5	1.25	13.18	S, US
3	3600	56C	E114420.00	✓	827	C6T34DC105	45	208-230/460	7.2	85.5	1.25	13.18	S, US

Green items are Premium Efficient

▼ LM Numbers are Lincoln Models

Specifications are subject to change without notice

♥ Note listing on inside back flap

Please view our on-line catalog for updated information that was unavailable at the time of this printing.

Three Phase – Drip-Proof – C Face With Base

HP	SYN RPM 60 Hz	NEMA Frame	▼ Catalog Number	Stock	List Price	Model Number	App. Wgt. (lbs)	Voltage	F. L. Amps @ 230 V	% F. L. Eff.	Service Factor	"C" Dim. (Inches)	♥ Notes
1/3	1800	S56C	E103021.00	✓	465	C4T17DK9	23	208-230/460	1.3	77.0	1.25	10.24	S, MX
1/2	3600	S56C	E100600.00	✓	493	C4T34DK18	27	208-230/460		78.2	1.25		S, US
	1800	56C	E119353.00	✓	514	C6T17DK40	29	208-230/460		78.2	1.25		S, US
3/4	3600	S56C	E102971.00	✓	497	C4T34DK9	21	208-230/460	2.4	79.0	1.25	9.85	S, US
	1800	S56C	LM34055	✓	518	SRD4B0.75TC61	29	208-230/460		81.1	1.15		S, MX
	1800	56C	E116762.00	✓	520	C6T17DK30	30	208-230/460	2.4	81.5	1.25	10.86	S, US
1	3600	56C	E116784.00	✓	501	C6T34DK16	23	208-230/460	3.2	77.0	1.15	9.84	S, US
	1800	S56C	LM34056	✓	755	SRD4B1TC61	34	208-230/460		83.5	1.15		S, MX
	1800	56C	E116763.00	✓	744	C6T17DK33	33	208-230/460	3.4	85.5	1.25	11.68	S, US
1 1/2	3600	56C	E116785.00	✓	731	C6T34DK20	35	208-230/460	4.0	84.0	1.25	11.80	S, US
	1800	56C	E116764.00	✓	770	C6T17DK32	37	208-230/460	5.6	86.5	1.15	12.68	S, US
	1800	56HC	LM34057	✓	786	SRD4B1.5TC61	34	230/460		86.5	1.15		S, US, 6
2	3600	56C	E114218.00	✓	808	C6T34DK25	41	208-230/460	4.8	85.5	1.25	12.20	S, US
	1800	56HC	E116765.00	✓	871	C6T17DK31	42	208-230/460	5.8	86.5	1.25	13.18	S, US, 6
	1800	56HC	LM34058	✓	879	SRD4B2TC61	42	230/460		86.5	1.25		S, US, 6

Green items are Premium Efficient
 "E" prefix items comply with SMR 2015

▼ LM Numbers are Lincoln Models

Specifications are subject to change without notice

♥ Note listing on inside back flap

Please view our on-line catalog for updated information that was unavailable at the time of this printing.

View On-line Technical Information



Tech Information

Single Phase ODP Motors

Single Phase TEFC Motors

Three Phase ODP Motors

Three Phase TEFC Motors

Inverter Duty Motors

Severe Duty Motors

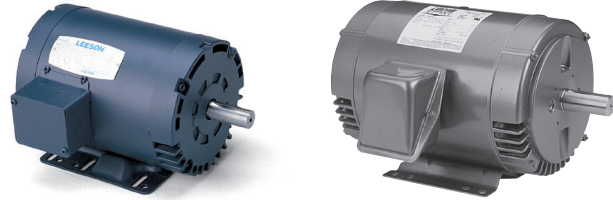
Three Phase ODP Motors Compressor Duty

General Specifications:

Motors designed for air compressor, pump, fan and blower duty applications which require high breakdown torque and rugged mechanical construction.

Mechanical Features:

- Double shielded ball bearings
- Designed for belted loads
- Class F Insulation



Three Phase - Drip-Proof - Rigid Base

HP	SYN RPM 60 Hz	NEMA Frame	▼ Catalog Number	Stock	List Price	Model Number	App. Wgt. (lbs)	Voltage	F. L. Amps @ 230 V	% F.L. Eff.	Service Factor	"C" Dim. (Inches)	♥Notes
1	1800	143T	121003.00	√	670	C143T17DB10	36	208-230/460	3.2	85.5	1.25	12.10	S, US
			LM24871	√	553	SSD4B1T6	35	208-230/460	3.2	85.5	1.25	12.00	S, MX
1 1/2	1800	145T	121004.00	√	699	C145T17DB32	35	208-230/460	4.8	86.5	1.25	12.60	S, US
			LM24875	√	578	SSD4B1.5T6	45	208-230/460	4.4	86.5	1.25	13.00	S, MX
2	1800	145T	121005.00	√	792	C145T17DB33	37	208-230/460	5.8	86.5	1.25	13.60	S, US
			LM24169	√	640	SSD4B2T6	48	208-230/460	6.0	86.5	1.25	11.50	S, MX
3	1800	182T	131519.00	√	810	C182T17DB37	75	208-230/460	7.8	89.5	1.25	13.70	S, MX
			LM24222	√	834	SSD4B3T61	75	208-230/460	8.0	89.5	1.25	13.20	S, MX
5	1800	184T	131520.00	√	913	C184T17DB44	86	208-230/460	12.8	89.5	1.25	14.70	S, MX
			LM24202	√	935	SSD4B5T61	91	208-230/460	12.6	89.5	1.25	14.20	S, MX
7 1/2	1800	213T	140470.00	√	1,145	C213T17DB2	133	208-230/460	20.6	91.0	1.25	16.30	S, MX
			LM24194	√	1,317	SSD4B7.5T6	125	208-230/460	19.2	91.0	1.25	18.50	S, US
10	1800	215T	140472.00	√	1,353	C215T17DB15	144	208-230/460	26.8	91.7	1.25	17.30	S, MX
			LM24193	√	1,471	SSD4B10T6	155	208-230/460	25.0	91.7	1.25	18.50	S, US
20	1800	256T	170006.60	√	2,330	C256T17DB5	324	208-230/460	51.0	93.0	1.25	22.60	C, CN
			LM24199	√	2,531	CCD4B20T6	350	208-230/460	48.0	93.0	1.25	24.40	C, US

Green items are Premium Efficient

▼ LM Numbers are Lincoln Models

Specifications are subject to change without notice

♥ Note listing on inside back flap



View On-line Technical Information



Three Phase ODP Motors

Resilient Base

General Purpose or Fan & Blower Service

General Specifications:

- Industrial quality resilient base
- Moderate starting torque
- Double shielded ball bearings
- Belt-Driven or fan-on-shaft applications



Drip-Proof - Three Phase - Resilient Base

HP	SYN RPM 60 Hz	NEMA Frame	Catalog Number	Stock	List Price	Model Number	App. Wgt. (lbs)	Voltage	Over-load Prot.	F. L. Amps @ 230	Service Factor	% F.L. Eff.	"C" Dim. (Inches)	♥Notes
1/3	3450	S56	101639.00	✓	382	A4T34DJ4	17	208-230/460	Auto.	1.7	1.35	61.0	10.31	S, US, 33
	1725	S56	100210.00	✓	417	C4T17DJ3	18	208-230/460	None	1.6	1.35	64.3	10.31	S, MX
	1725	S56	E100210.00	✓	457		19	208-230/460	None		1.35	73.4		S, MX
	1725	S56	101520.00	✓	506	A4T17DJ18	19	208-230/460	Auto.	1.6	1.35	64.3	10.81	S, MX, 33
1/2	3450	S56	101640.00	C/A	459	A4T34DJ3	18	208-230/460	Auto.	2.4	1.25	69.0	10.31	S, US, 33
	1725	S56	100145.00	✓	478	C4T17DJ1	22	208-230/460	None	2.0	1.25	68.0	10.81	S, MX
	1725	S56	E119360.00	✓	534		23	208-230/460	None		1.25	78.2		S, MX
	1725	S56	100796.00	✓	556	A4T17DJ10	22	208-230/460	Auto.	2.0	1.25	68.0	11.31	S, MX
3/4	3450	S56	E101773.00	✓	480	C4T34DJ8	20	208-230/460	None	2.4	1.25	79.0	10.81	S, US
	3450	S56	E101773.00	✓	480	C4T34DJ8	20	208-230/460	None	2.4	1.25	79.0	10.81	S, MX
	3450	S56	E101641.00	✓	560	A4T34DJ5	20	208-230/460	Auto.	2.4		79.0	11.31	S, US, 33
	1725	S56	100146.00	✓	530	C4T17DJ2	25	208-230/460	None	2.8	1.25	75.0	11.31	S, MX
	1725	56	E119361.00	✓	572		26	208-230/460	None		1.25	81.1		S, MX
	1725	S56	100908.00	✓	603	A4T17DJ13	26	208-230/460	Auto.	2.8	1.25	75.0	11.81	S, US, 33
1	3450	56	E114192.00	✓	511	C6T34DR35	24	208-230/460	None	3.2	1.25	77.0	10.82	S, US
	3450	56	E114192.00	✓	511	C6T34DR35	24	208-230/460	None	3.2	1.25	77.0	10.82	S, US
	3450	56	113895.00	C/A	591	A6T34DR30	25	208-230/460	Auto.	3.2	1.25	77.0	10.82	S, US, 33
	1725	56	110052.00	✓	557	C6T17DR1	23	208-230/460	None	4.2	1.15	78.5	11.31	S, US
	1725	56	E110052.00	✓	720	C6T17DR37	24	208-230/460	None	3.2	1.15	83.5		S, US
	1725	56H	111311.00	✓	626	A6T17DR11	27	208-230/460	Auto.	4.2	1.15	78.5	11.31	S, US, 33
1 1/2	3450	56H	114194.00	C/A	622	C6T34DR36	31	208-230/460	None	4.2	1.15	81.5	11.82	S, US
	3450	56H	E114194.00	C/A	737	C6T34DR3	31	208-230/460	None	4.0				S, US
	3450	56H	113896.00	C/A	670	A6T34DR31	29	208-230/460	Auto.	4.2	1.15	81.5	11.82	S, US, 33
	1725	56H	110433.00	✓	641	C6T17DR4	32	208-230/460	None	5.6	1.15	78.5	11.81	S, US
	1725	56H	E110433.00	✓	773	C6T17DR38	33	208-230/460	None	4.8	1.15	86.5		S, US
	1725	56H	113846.00	✓	664	A6T17DR25	29	208-230/460	Auto.	5.6	1.15	78.5	11.81	S, US, 49
2	3450	56H	114196.00	C/A	721	C6T34DR37	36	208-230/460	None	5.6	1.15	82.9	12.32	S, US
	3450	56H	E114196.00	C/A	814	C6T34DR38	37	208-230/460	None	4.8	1.15	85.5		S, US
	3450	56H	113897.00	✓	776	A6T34DR32	39	208-230/460	Auto.	5.6	1.15	82.9	12.32	S, US, 33
	1725	56H	114197.00	✓	696	C6T17DR29	37	208-230/460	None	6.2	1.15	78.5	12.31	S, US
	1725	56H	E114197.00	✓	849	C6T17DR39	38	208-230/460	None	5.8	1.15	86.5		S, US
	1725	56H	113847.00	✓	762	A6T17DR26	34	208-230/460	Auto.	6.2	1.15	78.5	12.31	S, US, 33
3	3450	56HZ	113926.00	✓	767	U6T34DR33	40	208-230/460	Auto.	7.6	1.00	84.0	13.19	S, US, 33
	1725	56HZ	116593.00	✓	835	A6T17DR33	47	230/460	Auto.	8.6	1.15	82.5	14.19	S, US, 33

Green items are Premium Efficient
"E" prefix items comply with SMR 2015

Please view our on-line catalog for updated information
that was unavailable at the time of this printing.

C/A - Check Availability

Specifications are subject to change without notice

♥ Note listing on inside back flap

View On-line Technical Information



Three Phase ODP Motors

F2 Conduit Box Mount Motors - General Purpose

Three Phase - ODP - Rigid Base

HP	SYN RPM 60 Hz	NEMA Frame	Catalog Number	Stock	List Price	Model Number	App. Wgt. (lbs)	Voltage	F. L. Amps @ 230	Service Factor	% F.L. Eff.	"C" Dim. (Inches)	♥Notes
3	1800	182T	132232.00	√	822	C182T17DB57	75	208-230/460	7.2	1.15	89.5	13.70	S, MX
5	1800	184T	132233.00	√	913	C184T17DB77	86	208-230/460	12.8	1.15	89.5	14.70	S, MX
7 1/2	1800	213T	140831.00	C/A	1,145	C213T17DB14	133	208-230/460	20.6	1.25	91.0	16.30	S, MX

Green items are Premium Efficient

C/A - Check Availability

Specifications are subject to change without notice

♥ Note listing on inside back flap

Three Phase ODP Motors

Three Phase - Automatic Overload Protected Motors

General Specifications:

- General purpose
- Automatic reset protection
- Not for use with variable frequency inverters



Three Phase - Drip-Proof - Rigid Base

HP	SYN RPM 60 Hz	NEMA Frame	Catalog Number	Stock	List Price	Model Number	App. Wgt. (lbs)	Voltage	Over-load Prot.	F. L. Amps @ 230	Service Factor	% F.L. Eff.	"C" Dim. (Inches)	♥Notes
3	1800	182T	132234.00	√	976	U182T17DB61	58	208-230/460	Auto	8.4	1.15	86.50	12.69	S, MX
5	1800	184T	132235.00	√	1,095	U184T17DB82	78	208-230/460	Auto	13.2	1.15	87.50	13.69	S, MX

Green items are Premium Efficient

Specifications are subject to change without notice

♥ Note listing on inside back flap



View On-line Technical Information



Three Phase Motors Totally Enclosed

Three Phase Motors – General Purpose – Totally Enclosed –
208-230/460V & 460V Rigid Mount – ¼ HP – 400 HP
Steel Frame – Cast Iron Frame – Aluminum Frame

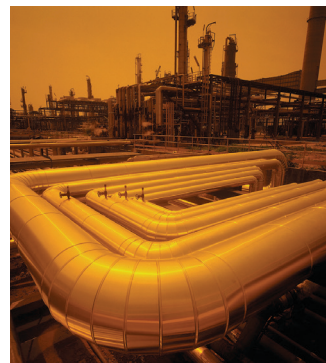
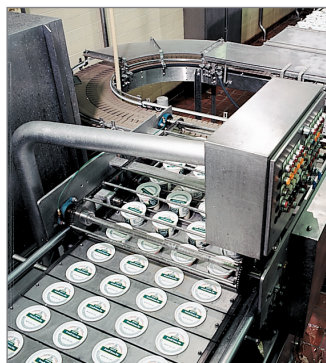


- Standard, EPAct and Premium efficient ratings
- Inverter-rated
- Class B insulation systems – 42, 48 and 56 frames
- Class F insulation system – 140 frame and higher
- Shielded ball bearings for direct coupled applications
Contact your local sales office for belted load applications
- Continuous duty
- Dynamically balanced rotors
- 1-year warranty on Standard efficient motors
- 2-year warranty on EPAct efficient motors
- 3-year warranty on Premium efficient motors
- Torques exceed NEMA performance standards
- UL recognized and CSA certified



Applications:

- For use where exposure to water, dust and corrosives exists. Ideally suited for use on pumps, compressors, fans, blowers, conveyors, machine tools and other industrial applications.



Three Phase Motors Totally Enclosed Fan Cooled

General Purpose - Standard,
EPAct and Premium Efficient - Three Phase Motors

Three Phase - TEFC - Rigid Base

HP	SYN RPM 60 Hz	NEMA Frame	▼ Catalog Number	Stock	List Price	Model Number	App. Wgt. (lbs)	Voltage	F. L. Amps @ 230 V	% F.L. Eff.	Service Factor	"C" Dim. (Inches)	♥Notes	
1/4	1800	48	101646.00	√	347	C4T17FB9	18	208-230/460	1.4	58.0	1.15	9.31	S, MX	
	1800	48	LM24929	√	365	SPF4S0.25T61	17	230/460	1.3	62.5	1.15	9.59	S, MX	
1/3	3600	48	102684.00	√	349	C4T34FB5	18	208-230/460	1.4	68.0	1.00	8.81	S, US	
	1800	48	101647.00	√	415	C4T17FB10	21	208-230/460	1.6	64.3	1.15	9.31	S, MX	
Single Phase TEFC Motors	1800	S56	101079.00	√	381	C4T17FH6	22	208-230/460	1.6	64.3	1.15	9.69	S, MX	
	1800	S56	LM24107	√	408	SRF4S0.33T61	16	230/460	1.6	65.5	1.15	10.22	S, MX	
	1800	S56	103019.00	√	557	C4T17FH12	24	208-230/460	1.3	77.0	1.25	10.19	S, MX	
	1200	56	110441.00	√	599	C6T11FB5	23	208-230/460	1.6	65.0	1.15	10.81	S, US	
1/2	3600	48	100905.00	√	409	C4T34FB2	18	208-230/460	1.8	69.0	1.00	9.94	S, US	
	3600	56	LM24165	√	422	SRF2S0.5T61	22	230/460	2.2	69.0	1.15	11.82	S, US	
Three Phase ODP Motors	1800	48	100961.00	√	487	C4T17FB4	21	208-230/460	2.0	73.0	1.15	9.56	S, MX	
	1800	S56	100913.00	√	436	C4T17FH1	24	208-230/460	2.0	73.0	1.15	9.94	S, MX	
	1800	S56	LM24073	√	466	SRF4S0.5T61	18	230/460	2.2	70.0	1.15	10.72	S, MX	
	1800	S56	103020.00	√	591	C4T17FH13	27	208-230/460	1.8	77.0	1.25	10.69	S, MX	
	1200	56	110353.00	√	646	C6T11FB2	26	208-230/460	2.4	70.0	1.15	11.31	S, US	
	1200	56	LM24105	√	675	SRF6S0.5T61	24	230/460	2.7	68.0	1.15	11.82	S, MX	
Three Phase TEFC Motors	900	56	114618.00	√	963	C6T8FB11	31	208-230/460	2.4	69.0	1.15	11.81	S, US	
	900	143T	LM24291	C/A	1005	SSF8S0.5T61	31	230/460	2.6	66.0	1.15	13.37	S, US	
	3/4	3600	48	100960.00	√	449	C4T34FB3	21	208-230/460	2.4	79.0	1.00	10.44	S, US
		3600	56	110313.00	√	449	C6T34FB2	22	208-230/460	2.4	75.5	1.15	10.81	S, US
3600		56	LM24133	√	466	SRF2S0.75T61	23	230/460	3.2	74.0	1.15	11.82	S, US	
1800	56	110034.00	√	465	C6T17FB1	22	208-230/460	2.8	77.0	1.15	10.81	S, US		
Inverter Duty Motors	1800	S56	LM24075	√	501	SRF4S0.75T61	30	230/460	2.8	75.5	1.15	11.22	S, MX	
	1800	56	116739.00	√	620	C6T17FB152	31	208-230/460	2.4	81.5	1.25	11.31	S, US	
	1200	56	110275.00	√	646	C6T11FB3	33	208-230/460	3.0	75.5	1.15	11.81	S, US	
	1200	56	LM24136	√	691	SRF6S0.75T61	28	230/460	3.2	74.0	1.15	12.32	S, MX	
	1200	143T	121009.00	√	659	C143T11FB2	34	208-230/460	3.0	75.5	1.15	12.75	S, US	
	1200	143T	LM24103	√	691	SSF6S0.75T61	29	230/460	3.2	74.0	1.15	12.37	S, MX	
Severe Duty Motors	900	145T	121199.00	√	1110	C145T8FB5	21	208-230/460	3.1	70.0	1.15	12.75	S, US	
	900	145T	LM24276	√	1151	SSF8S0.75T61	49	230/460	4.8	70.0	1.15	14.87	S, US	

Green items are Premium Efficient

♥ Note listing on inside back flap

▼ LM Numbers are Lincoln Models

Continued On Next Page

C/A - Check Availability

Specifications are subject to change without notice



View On-line Technical Information



Three Phase Motors Totally Enclosed Fan Cooled

General Purpose - Standard,
EPA and Premium Efficient - Three Phase Motors

Three Phase - TEFC - Rigid Base

HP	SYN RPM 60 Hz	NEMA Frame	▼ Catalog Number	✓	List Price	Model Number	App. Wgt. (lbs)	Voltage	F. L. Amps @ 230 V	% F.L. Eff.	Service Factor	"C" Dim. (Inches)	♥ Notes
1	3600	56	110145.00	✓	525	C6T34FB1	24	208-230/460	3.2	77.0	1.15	10.81	S, US
	3600	56	LM24094	✓	548	SRF2S1T61	24	230/460	3.7	74.0	1.15	11.82	S, US
	3600	56	116129.00	✓	695	C6T34FB49	24	208-230/460	2.8	80.0	1.25	11.31	S, US
1800	56	110035.00	✓	487	C6T17FB2	30	208-230/460	3.8	77.0	1.15	11.31	S, US	
	56	LM24078	✓	519	SRF4S1T61	27	230/460	3.6	77.0	1.15	12.32	S, MX	
	56	116757.00	✓	762	C6T17FB151	32	208-230/460	3.2	85.5	1.25	12.81	S, US	
1800	56HZ	115830.00	✓	516	C6T17FB120	33	208-230/460	3.8	77.0	1.15	12.75	S, US, 5	
	143T	120921.00	✓	762	C143T17FB13	32	208-230/460	3.2	85.5	1.25	13.25	S, US	
	143T	LM32796	✓	753	SSF4B1T61	41	230/460	3.2	85.5	1.25	12.93	S, MX	
1800	143T	171640.60	✓	817	C145T17FB25	61	208-230/460	3.2	85.5	1.15	13.46	C, CN	
	143T	LM24102	✓	837	CCN3BIT61	56	230/460	3.0	85.5	1.25	10.43	C, US	
	1200	56	113933.00	✓	669	C6T11FB13	35	208-230/460	4.0	77.0	1.15	12.31	S, US
1200	56H	LM24159	✓	697	SRF6S1T61	35	230/460	4.0	78.5	1.15	12.82	S, MX	
	145T	121520.00	✓	901	C145T11FB20	47	208-230/460	3.8	82.5	1.25	13.75	S, US	
	145T	LM33121	✓	864	SSF6B1T61	35	230/460	3.8	82.5	1.15	14.87	S, MX	
1200	145T	171643.60	✓	962	C145T11FB25	58	208-230/460	3.8	82.5	1.25	13.46	C, CN	
	900	182T	G131478.00	✓	1368	C182T8FB9	57	230/460	4.2	74.0	1.15	12.96	S, MX
	1 1/2	3600	56	110745.00	✓	574	C6T34FB16	30	208-230/460	4.2	81.5	1.15	11.81
3600		56	LM24144	✓	602	SRF2S1.5T61	34	230/460	4.6	80.0	1.15	11.82	S, US
3600		56	116758.00	✓	789	C6T34FB50B	33	208-230/460	4.0	84.0	1.25	12.81	S, US
3600	143T	121518.00	✓	789	C143T34FB1	33	208-230/460	4.0	84.0	1.25	13.25	S, US	
	143T	LM33122	✓	789	SSF2B1.5T61	32	230/460	4.0	84.0	1.25	13.37	S, US	
	143T	171642.60	✓	845	C143T34FB5	49	208-230/460	4.0	84.0	1.15	13.46	C, CN	
1800	56	110444.00	✓	547	C6T17FB14	30	208-230/460	5.0	78.5	1.15	11.81	S, US	
	56H	LM24118	✓	551	SRF4S1.5T61	30	230/460	4.8	80.0	1.15	12.32	S, MX	
	56	116759.00	✓	777	C6T17FB150	34	208-230/460	4.8	86.5	1.25	13.31	S, US	
1800	56HZ	115829.00	✓	527	C6T17FB121	37	208-230/460	5.0	78.5	1.15	12.75	S, US, 5	
	145T	120922.00	✓	791	C145T17FB33	34	208-230/460	4.8	86.5	1.15	13.75	S, US	
	145T	LM33123	✓	791	SSF4B1.5T61	45	230/460	4.8	86.5	1.25	13.43	S, MX	
1800	145T	171646.60	✓	844	C145T17FB78	69	208-230/460	4.8	86.5	1.15	13.46	C, CN	
	145T	LM25637	✓	893	CCN4B1.5T61	62	230/460	4.4	84.0	1.25	11.43	C, US	
	1200	56H	114930.00	✓	768	C6T11FB17	48	208-230/460	5.7	77.0	1.15	13.31	S, US
1200	56HZ	116591.00	✓	778	C6T11FB24	45	208-230/460	5.7	77.0	1.15	13.75	S, US, 5	
	182T	131980.00	✓	1313	C182T11FB9	89	208-230/460	5.6	87.5	1.15	15.96	S, MX	
	182T	199001.00	✓	766	C182T11FB1	89	230/460	4.8	87.5	1.15	14.80	C, CN	
1200	182T	LM15648	D	1108	AAF6B1.5T61	83	230/460	4.4	87.7	1.25	15.19	A, US	
	182T	LM33561	✓	1108	AAF6B1.5T61AP26	83	230/460	4.4	87.7	1.25	14.96	A, MX	
	900	184T	G131479.00	✓	1626	C184T8FB6	68	230/460	5.6	77.0	1.15	13.96	S, MX
900	184T	LM32798	✓	1517	AAF8P1.5T61	71	230/460	6.2	77.0	1.15	15.19	A, US	

Green items are Premium Efficient

♥ Note listing on inside back flap

▼ LM Numbers are Lincoln Models

Continued On Next Page

D - To be discontinued when inventory is depleted

Specifications are subject to change without notice

View On-line Technical Information



Tech Information

Single Phase
ODP Motors

Single Phase
TEFC Motors

Three Phase
ODP Motors

Three Phase
TEFC Motors

Inverter Duty
Motors

Severe Duty
Motors

Three Phase Motors Totally Enclosed Fan Cooled

General Purpose - Standard,
EPAct and Premium Efficient - Three Phase Motors

Three Phase - TEFC - Rigid Base

HP	SYN RPM 60 Hz	NEMA Frame	▼ Catalog Number	Stock	List Price	Model Number	App. Wgt. (lbs)	Voltage	F. L. Amps @ 230 V	% F.L. Eff.	Service Factor	"C" Dim. (Inches)	♥Notes
2	3600	56	111916.00	✓	646	C6T34FB24	33	208-230/460	5.6	82.5	1.15	12.31	S, US
	3600	56	116760.00	✓	863	C6T34FB51	44	208-230/460	4.8	85.5	1.25	13.31	S, US
	3600	145T	121519.00	✓	863	C145T34FB33	44	208-230/460	4.8	85.5	1.25	13.75	S, US
	3600	145T	LM33124	✓	863	SSF2BT61	31	230/460	4.8	85.5	1.25	13.43	S, US
	3600	145T	171648.60	✓	922	C145T34FB37	56	208-230/460	4.8	85.5	1.25	13.46	C, CN
1800	56H	113026.00	✓	595	C6T17FB65	35	208-230/460	6.2	81.5	1.15	12.31	S, US	
	56H	LM24097	✓	585	SRF4S2T61	40	230/460	5.8	82.5	1.15	13.82	S, MX	
	56HZ	115828.00	✓	551	C6T17FB119	37	208-230/460	6.2	81.5	1.15	12.75	S, US	
	56H	116761.00	✓	823	C6T17FB154	45	208-230/460	5.8	86.5	1.25	14.32	S, US	
	145T	120923.00	✓	823	C145T17FB32	45	208-230/460	5.8	86.5	1.25	14.76	S, US	
	145T	LM33125	✓	712	SSF4B2T61	41	230/460	6.5	86.5	1.25	13.93	S, MX	
	145T	171647.60	✓	879	C145T17FB79	68	208-230/460	5.8	86.5	1.15	13.46	C, CN	
	145T	LM24127	✓	940	CCN4B2T61	64	230/460	6.0	85.5	1.15	11.43	C, US	
	1800	145T	171647.60	✓	879	C145T17FB79	68	208-230/460	5.8	86.5	1.15	13.46	C, CN
1200	184T	131981.00	✓	1336	C184T11FB20	89	208-230/460	7.2	88.5	1.15	15.96	S, MX	
	184T	199002.00	✓	923	C184T11FB1	125	230/460	6.0	88.5	1.15	15.81	C, CN	
	184T	LM15651	D	1133	AAF6B2T61	92	230/460	6.0	88.5	1.25	16.19	A, US	
	184T	LM33563	✓	1148	AAF6B2T61AP26	92	230/460	6.0	88.5	1.25	14.96	A, MX	
	900	213T	G140516.00	✓	2245	C213T8FB3	114	230/460	8.0	82.5	1.15	18.22	S, MX
3	3600	56H	114614.00	✓	752	C6T34FB35	40	208-230/460	7.6	84.0	1.15	13.25	S, US, 5
	3600	145T	121968.00	✓	995	C145T34FB49	48	208-230/460	8.0	86.5	1.15	13.93	S, US
	3600	182T	131985.00	✓	1071	C182T34FB72	66	208-230/460	7.6	86.5	1.25	13.96	S, MX
	3600	182T	199003.00	✓	895	C182T34FB1	94	230/460	7.6	86.5	1.15	14.80	C, CN
	3600	182T	LM15646	D	1363	AAF2B3T61	83	230/460	7.6	87.5	1.25	15.19	A, US
	3600	182T	LM33564	✓	1363	AAF2B3T61AP26	83	230/460	7.6	87.5	1.25	14.96	A, MX
	3600	182T	LM33262	C/A	1071	SSF2B3T61	75	230/460	7.6	87.5	1.15	13.46	S, MX
	1800	56HZ	116594.00	✓	652	C6T17FB144	45	208-230/460	8.6	82.5	1.00	14.26	S, US
	1800	182T	131463.00	✓	930	C182T17FB32	80	208-230/460	7.8	89.5	1.15	13.96	S, MX
	1800	182T	LM15647	D	1096	AAF4B3T61	83	230/460	8.0	89.5	1.25	15.19	A, US
	1800	182T	LM33486	✓	986	AAF4B3T61AP26	83	230/460	8.0	89.5	1.25	14.96	A, MX
1800	182T	LM32741	✓	930	SSF4B3T61	77	230/460	7.8	89.5	1.15	13.96	S, MX	
	182T	171320.60	✓	1044	C182T17FB42	108	208-230/460	7.8	89.5	1.25	15.89	C, CN	
	182T	199004.00	✓	836	C182T17FB1	102	230/460	7.8	89.5	1.15	14.80	C, CN	
	1200	213T	171378.60	✓	1478	C213T11FB1	166	208-230/460	9.4	89.5	1.25	18.19	C, CN
	1200	213T	199005.00	✓	1256	C213T11FB1	173	230/460	8.6	89.5	1.15	18.23	C, CN
	1200	213T	LM16030	✓	1628	AF6B3T61	127	230/460	9.0	87.5	1.15	17.20	A, US
	1200	213T	LM34006	C/A	1256	SSF6P3T61	85	230/460	8.8	89.5	1.15	18.73	S, MX
	900	215T	G151809.22	C/A	3505	C215T8FB1	171	208-230/460	11.4	84.0	1.15	19.61	C, CA

Green items are Premium Efficient

♥ Note listing on inside back flap

▼ LM Numbers are Lincoln Models

Continued On Next Page

C/A - Check Availability

D - To be discontinued when inventory is depleted

Specifications are subject to change without notice



View On-line Technical Information



Three Phase Motors Totally Enclosed Fan Cooled

General Purpose - Standard,

EPAct and Premium Efficient - Three Phase Motors

Three Phase - TEFC - Rigid Base

HP	SYN RPM 60 Hz	NEMA Frame	▼ Catalog Number	Stock	List Price	Model Number	App. Wgt. (lbs)	Voltage	F. L. Amps @ 230 V	% F.L. Eff.	Service Factor	"C" Dim. (Inches)	♥ Notes
5	3600	184T	131987.00	√	1197	C184T34FB20	88	208-230/460	12.0	88.5	1.25	16.46	S, MX
	3600	184T	LM15649	√	1526	AAF2BT61	89	230/460	11.8	89.5	1.25	16.19	A, US
	3600	184T	LM33565	√	1461	AAF2BT61AP26	89	230/460	11.8	89.5	1.25	14.96	A, MX
	3600	184T	199006.00	√	995	C184T34FB1	109	230/460	12.0	88.5	1.15	15.81	C, CN
	3600	184T	LM15869	C/A	1526	CCF2BT61	108	230/460	11.8	88.5	1.15	15.81	C, US
1800	184T	131464.00	√	1023	C184T17FB42	87	208-230/460	12.8	89.5	1.15	14.96	S, MX	
	184T	LM15650	D	1219	AAF4B5T61	104	230/460	12.4	90.2	1.25	16.19	A, US	
	184T	LM33487	√	1153	AAF4B5T61AP26	87	230/460	12.4	90.2	1.25	14.96	A, MX	
	184T	171322.60	√	1086	C184T17FB43	112	208-230/460	12.8	89.5	1.25	16.80	C, CN	
	184T	199007.00	√	941	C184T17FB1	117	230/460	12.4	90.2	1.15	15.81	C, CN	
1200	215T	171379.60	√	1647	C215T11FB1	176	208-230/460	14.4	89.5	1.25	19.61	C, CN	
	215T	199008.00	√	1559	C215T11FB1	203	230/460	14.0	90.2	1.15	19.73	C, CN	
	215T	LM16033	√	1888	AF6B5T61	138	230/460	13.8	89.5	1.15	18.70	A, US	
	215T	LM32802	√	1626	SSF6BT61	140	230/460	14.0	90.2	1.15	20.23	S, US	
900	254T	G151355.22	√	3920	C254T8FB5	188	208-230/460	14.4	88.3	1.15	23.23	C, CA	
	254T	LM32803	√	2677	AF8P5T61	159	230/460	15.0	87.5	1.15	23.40	A, US	
7 1/2	3600	213T	170158.60	√	1527	C215T11FB11	156	208-230/460	18.0	91.0	1.25	18.19	C, CN
	3600	213T	199009.00	√	1304	C213T34FB1	185	230/460	17.8	89.5	1.15	18.23	C, CN
	3600	213T	LM28968	√	1726	AF2B7.5T61	127	230/460	17.8	91.7	1.25	20.65	A, US
	3600	213T	140756.00	√	1443	C213T34FB1	156	208-230/460	17.8	90.2	1.15	19.84	S, MX
	1800	213T	140450.00	√	1315	C213T17FB6	153	208-230/460	21.4	91.7	1.25	18.70	S, MX
	1800	213T	LM32805	√	1214	SSF4B7.5T61	144	230/460	19.4	91.7	1.15	20.23	S, US
	1800	213T	LM16029	√	1813	AF4B7.5T61	127	230/460	19.2	91.1	1.25	18.70	A, US
	1800	213T	170157.60	√	1451	C213T17FB43	158	208-230/460	18.6	91.7	1.25	18.19	C, CN
	1800	213T	199010.00	√	1238	C213T17FB1	194	230/460	18.6	91.7	1.15	18.23	C, CN
	1800	213T	LM24209	√	1548	CCF4B7.5T61	180	230/460	19.2	91.7	1.25	19.70	C, US
	1200	254T	170122.60	√	2146	C254T11FB3	259	208-230/460	22.2	91.7	1.25	23.19	C, CN
	1200	254T	199011.00	√	2062	C254T11FB1	223	230/460	20.4	91.0	1.15	23.70	C, CN
	1200	254T	LM15672	√	2774	AF6B7.5T61	209	230/460	19.8	91.0	1.25	23.40	A, US
	900	256T	G151356.22	√	4672	C256T8FB42	300	208-230/460	20.0	87.7	1.15	24.96	C, CA
900	256T	LM32807	√	3168	AF8P7.5T61	195	230/460	23.0	86.5	1.15	25.15	A, US	

Green items are Premium Efficient

▼ LM Numbers are Lincoln Models

C/A - Check Availability

D - To be discontinued when inventory is depleted

Specifications are subject to change without notice

♥ Note listing on inside back flap

Continued On Next Page

View On-line Technical Information



Tech Information

Single Phase
ODP Motors

Single Phase
TEFC Motors

Three Phase
ODP Motors

Three Phase
TEFC Motors

Inverter Duty
Motors

Severe Duty
Motors

Three Phase Motors Totally Enclosed Fan Coolec

General Purpose - Standard,
EPAct and Premium Efficient - Three Phase Motors

Three Phase - TEFC - Rigid Base

HP	SYN RPM 60 Hz	NEMA Frame	▼ Catalog Number	Stock	List Price	Model Number	App. Wgt. (lbs)	Voltage	F. L. Amps @ 230 V	% F.L. Eff.	Service Factor	"C" Dim. (Inches)	♥Notes
10	3600	215T	140755.00	✓	1675	C215T34FB11	170	208-230/460	23.6	91.7	1.15	21.09	S, MX
	3600	215T	LM32808	✓	1816	SSF2B10T61	172	230/460	23.6	91.7	1.15	21.48	S, US
	3600	215T	170159.60	✓	1809	C215T34FB47	181	208-230/460	23.4	91.7	1.25	19.61	C, CN
	3600	215T	199012.00	✓	1522	C215T34FB1	217	230/460	22.8	90.2	1.15	19.73	C, CN
	3600	215T	LM16031	✓	1911	AF2B10T61	185	230/460	23.6	91.7	1.25	19.70	A, US
1800	215T	215T	140451.00	✓	1590	C215T17FB18	161	208-230/460	26.6	91.7	1.25	19.70	S, MX
	215T	215T	LM32809	✓	1499	SSF4B10T61	168	230/460	26.0	91.7	1.25	21.48	S, US
	215T	215T	170140.60	✓	1733	C215T17FB43	196	208-230/460	25.0	91.7	1.25	19.61	C, CN
	215T	215T	199013.00	✓	1490	C215T17FB1	225	230/460	24.4	91.7	1.15	19.73	C, CN
	215T	215T	LM16032	✓	1923	AF4B10T61	160	230/460	26.9	91.7	1.25	18.70	A, US
1200	256T	256T	170123.60	✓	3070	C256T11FB4	310	208-230/460	29.0	91.7	1.25	24.92	C, CN
	256T	256T	199014.00	✓	2518	C256T11FB1	368	230/460	26.8	91.0	1.15	25.43	C, CN
	256T	256T	LM15675	✓	3260	AF6B10T61	236	230/460	26.2	91.0	1.25	25.15	A, US
900	284T	G150282.22	✓	5427	C284T8FB2	346	208-230/460	26.0	88.8	1.15	26.26	C, CA	
15	3600	215T	170615.60	✓	2274	C215T34FB13	223	208-230/460	35.0	92.4	1.15	19.61	C, CN
	3600	254T	170062.60	✓	2457	C254T34FB4	292	208-230/460	35.0	92.4	1.25	23.19	C, CN
	3600	254T	199015.00	✓	2038	C254T34FB1	350	230/460	34.0	91.0	1.15	23.70	C, CN
	3600	254T	LM15670	✓	2620	AAF2B15T61	215	230/460	35.0	91.7	1.25	23.40	A, US
	1800	254T	170066.60	✓	2345	C254T17FB10	290	208-230/460	36.0	92.4	1.25	23.19	C, CN
1800	254T	254T	199016.00	✓	1914	C254T17FB1	375	230/460	37.0	92.4	1.15	23.70	C, CN
	254T	254T	LM15671	✓	2317	AAF4B15T61	209	230/460	37.5	92.4	1.25	23.40	A, US
	254T	254T	LM24208	✓	2619	CCF4B15T61	322	230/460	37.5	92.4	1.25	23.52	C, US
	1200	284T	170068.60	✓	4212	C284T11FB4	380	208-230/460	40.6	92.4	1.25	26.26	C, CN
	1200	284T	199017.00	✓	3277	C284T11FB1	475	230/460	39.5	91.7	1.15	27.83	C, CN
900	286T	G150261.22	✓	5962	G150261.22	480	208-230/460	40.0	91.0	1.15	27.83	C, CA	
20	3600	256T	170033.60	✓	3004	C256T34FB10	332	208-230/460	46.0	92.4	1.15	24.92	C, CN
	3600	256T	199018.00	✓	2476	C256T34FB1	375	230/460	46.0	91.0	1.15	27.80	C, CN
	3600	256T	LM15673	✓	3054	AF2B0T61	325	230/460	47.0	92.4	1.25	25.15	A, US
	1800	256T	170007.60	✓	2933	C256T17FB4	332	208-230/460	49.0	93.0	1.15	24.92	C, CN
	1800	256T	199019.00	✓	2406	C256T17FB1	425	230/460	48.0	93.0	1.15	27.80	C, CN
1800	256T	256T	LM15674	✓	2907	AAF4B20T61	295	230/460	48.0	93.0	1.25	25.15	A, US
	1200	286T	170001.60	✓	5267	C286T11FB6	406	208-230/460	54.0	91.7	1.15	27.83	C, CN
	1200	286T	199020.00	✓	3753	C286T11FB1	550	230/460	52.0	91.7	1.15	31.34	C, CN
	900	324T	G150263.22	C/A	7169	C324T8FB3	640	208-230/460	54.0	91.0	1.15	29.53	C, CA

Green items are Premium Efficient

♥ Note listing on inside back flap

▼ LM Numbers are Lincoln Models

Continued On Next Page

C/A - Check Availability

Specifications are subject to change without notice



View On-line Technical Information



Three Phase Motors Totally Enclosed Fan Cooled

General Purpose - Standard,
EPA and Premium Efficient - Three Phase Motors

Three Phase - TEFC - Rigid Base

HP	SYN RPM 60 Hz	NEMA Frame	▼ Catalog Number	Stock	List Price	Model Number	App. Wgt. (lbs)	Voltage	F. L. Amps @ 230 V	% F.L. Eff.	Service Factor	"C" Dim. (Inches)	♥Notes
25	3600	284TS	170035.60	✓	3906	C284T34FB5	393	208-230/460	56.8	93.0	1.15	24.88	C, CN
	3600	284TS	199021.00	✓	3051	C284T34FB1	475	230/460	55.5	91.7	1.15	28.82	C, CN
	3600	284TS	LM13960	✓	4638	AF2B25TS61Y	385	230/460	56.0	92.4	1.25	25.25	A, US
	3600	284T	LM32811	C/A	4638	AF2B25T61Y	433	230/460	56.0	92.4	1.25	26.62	A, US
1800	284T	170011.60	✓	3689	C284T17FB5	395	208-230/460	59.0	93.6	1.15	26.26	C, CN	
	284T	199022.00	✓	2811	C284T17FB1	500	230/460	62.0	93.6	1.15	30.16	C, CN	
	284T	LM13961	✓	3944	AF4B25T61Y	495	230/460	64.0	93.6	1.25	26.62	A, US	
	1200	324T	170003.60	✓	6164	C324T11FB3	555	208-230/460	66.0	93.0	1.15	29.53	C, CN
	1200	324T	199023.00	✓	4936	C324T11FB1	675	230/460	66.0	93.0	1.15	32.68	C, CN
	900	326T	G150265.22	C/A	8360	C326T8FB2	700	208-230/460	63.0	90.2	1.15	31.02	C, CA
	30	3600	286TS	170037.60	✓	4610	C286T34FB4	423	208-230/460	67.0	93.0	1.15	26.46
3600	286TS	199024.00	✓	3563	C286T34FB1	500	230/460	66.0	91.7	1.15	30.00	C, CN	
	286T	LM32813	✓	5062	AF2B30T61Y	438	230/460	66.0	92.4	1.25	28.12	A, US	
1800	286T	170015.60	✓	4297	C286T17FB5	442	208-230/460	70.0	94.1	1.15	27.83	C, CN	
	286T	199025.00	✓	3270	C286T17FB1	525	230/460	73.0	93.6	1.15	31.34	C, CN	
1800	286T	LM13964	✓	4527	AF4B30T61Y	426	230/460	75.0	93.6	1.25	28.12	A, US	
	1200	326T	170005.60	✓	6918	C326T11FB3	624	208-230/460	77.0	93.6	1.15	31.02	C, CN
1200	326T	199026.00	✓	5295	C326T11FB1	725	230/460	80.0	93.0	1.15	33.86	C, CN	

Green items are Premium Efficient

▼ LM Numbers are Lincoln Models

C/A - Check Availability

Specifications are subject to change without notice

♥ Note listing on inside back flap

Continued On Next Page

Tech Information

Single Phase
ODP Motors

Single Phase
TEFC Motors

Three Phase
ODP Motors

Three Phase
TEFC Motors

Inverter Duty
Motors

Severe Duty
Motors

View On-line Technical Information



Three Phase Motors Totally Enclosed Fan Cooled

General Purpose - Standard,
EPAct and Premium Efficient - Three Phase Motors

Three Phase - TEFC - Rigid Base

HP	SYN RPM 60 Hz	NEMA Frame	▼ Catalog Number	Stock	List Price	Model Number	App. Wgt. (lbs)	Voltage	F. L. Amps @ 230 V	% F.L. Eff.	Service Factor	"C" Dim. (Inches)	♥ Notes
40	3600	324TS	170039.60	✓	5750	C324T34FB3	510	208-230/460	89.0	93.6	1.25	28.03	C, CN
	3600	324TS	199027.00	✓	4700	C324T34FB1	675	230/460	88.0	92.4	1.15	31.26	C, CN
	3600	324T	LM32671	C/A	7472	SF2B40T61Y	535	230/460	88.0	93.6	1.25	28.50	S, US
1800	324T	324T	170019.60	✓	5708	C324T17FB5	539	230/460	92.0	94.1	1.15	29.53	C, CN
	1800	324T	199028.00	✓	4301	C324T17FB1	750	230/460	94.0	94.1	1.15	32.68	C, CN
	1800	324T	LM13699	✓	8974	SF4B40T61Y	504	230/460	101.0	94.1	1.25	28.50	S, US
1800	324TS	324TS	LM32686	✓	8974	SF4B40TS61Y	504	230/460	101.0	94.1	1.25	27.00	S, US
	1200	364T	170096.60	✓	9483	C364T11FB4	788	208-230/460	102.0	94.1	1.15	32.64	C, CN
	1200	364T	199029.00	✓	7326	C364T11FB1	950	230/460	94.0	94.1	1.15	36.61	C, CN
50	3600	326TS	170041.60	✓	6983	C326T34FB4	564	208-230/460	111.0	94.5	1.25	29.53	C, CN
	3600	326TS	199030.00	✓	5364	C326T34FB1	725	230/460	109.0	93.0	1.15	32.44	C, CN
	3600	326T	LM32669	C/A	8915	SF2B50T61Y	558	230/460	111.0	94.1	1.25	30.00	S, US
1800	326T	326T	170023.60	✓	6894	C326T17FB7	587	208-230/460	117.0	94.5	1.15	31.02	C, CN
	1800	326T	199031.00	✓	5280	C326T17FB1	775	230/460	119.0	94.5	1.15	33.86	C, CN
	1800	326T	LM13701	✓	8864	SF4B50T61Y	585	230/460	127.0	94.5	1.25	36.00	S, US
1800	326TS	326TS	LM32815	C/A	8864	SF4B50TS61Y	558	230/460	127.0	94.5	1.25	34.50	S, US
	1200	365T	170097.60	✓	11381	C365T11FB5	682	208-230/460	124.0	94.1	1.15	33.62	C, CN
	1200	365T	199032.00	✓	8327	C365T11FB1	1000	230/460	117.0	94.1	1.15	38.39	C, CN
60	3600	364TS	170043.60	✓	10358	C364T34FB3	758	208-230/460	136.0	94.1	1.15	30.51	C, CN
	3600	364TS	199033.00	✓	7293	C364T34FB1	925	230/460	132.0	93.6	1.15	34.57	C, CN
	1800	364T	170027.60	✓	9806	C364T17FB6	899	208-230/460	137.0	95.4	1.15	32.64	C, CN
1800	364T	364T	199034.00	✓	7205	C364T17FB1	1000	230/460	138.0	95.0	1.15	36.61	C, CN
	1800	364T	LM14809	✓	11979	SF4B60T61Y	765	230/460	144.0	95.0	1.25	31.90	S, US
	1200	404T	170098.60	✓	13424	C404T11FB3	1035	208-230/460	142.0	94.5	1.25	36.42	C, CN
1200	404T	199035.00	✓	9756	C404T11FB1	1200	230/460	140.0	94.5	1.15	42.72	C, CN	

Green items are Premium Efficient

▼ LM Numbers are Lincoln Models

C/A - Check Availability

Specifications are subject to change without notice

♥ Note listing on inside back flap

Continued On Next Page



View On-line Technical Information



Three Phase Motors Totally Enclosed Fan Cooled

General Purpose - Standard,
EPA and Premium Efficient - Three Phase Motors

Three Phase - TEFC - Rigid Base

HP	SYN RPM 60 Hz	NEMA Frame	▼ Catalog Number	Stock	List Price	Model Number	App. Wgt. (lbs)	Voltage	F. L. Amps @ 230V	% F.L. Eff.	Service Factor	"C" Dim. (Inches)	♥ Notes	
75	3600	365TS	170045.60	✓	12688	C365T34FB3	800	208-230/460	169.0	94.5	1.15	31.50	C, CN	
		365TS	199036.00	✓	9058	C365T34FB1	1025	230/460	164.0	94.1	1.15	36.34	C, CN	
	1800	365T	170031.60	✓	12237	C365T17FB4	1028	208-230/460	171.0	95.8	1.15	33.62	C, CN	
		365T	199037.00	✓	8852	C365T17FB1	1100	230/460	170.0	95.4	1.15	38.39	C, CN	
		365T	LM14811	✓	11995	SF4B75T61Y	822	230/460	178.0	95.4	1.15	32.90	S, US	
		365TS	LM32672	✓	11995	SF4B75TS61Y	822	230/460	178.0	95.4	1.25	30.77	S, US	
1200	405T	170099.60	✓	14150	C405T11FB5	995	208-230/460	176.0	95.0	1.25	37.91	C, CN		
	405T	199038.00	✓	11485	C405T11FB1	1300	230/460	174.0	94.5	1.15	42.72	C, CN		
100	3600	405TS	170160.60	✓	15623	C449T11FB1	975	208-230/460	218.0	95.0	1.25	34.92	C, CN	
		405TS	199039.00	✓	10989	C405T34FB1	1250	230/460	216.0	94.5	1.15	39.76	C, CN	
	1800	405T	170087.60	✓	15217	C405T17FB4	1090	208-230/460	225.0	95.4	1.15	37.91	C, CN	
		405T	199040.00	✓	10819	C405T17FB1	1375	230/460	224.0	95.4	1.15	42.72	C, CN	
	1800	405T	LM13940	✓	14491	SF4B100T61Y	1052	230/460	244.0	95.4	1.15	38.40	S, US	
		405TS	LM32819	✓	14491	SF4B100TS61Y	1052	230/460	244.0	95.4	1.15	35.40	S, US	
	1200	444T	170256.60	✓	20142	C444T11FB6	1457	460	121.0*	95.0	1.25	42.87	C, CN	
		444T	199041.00	✓	16936	C444T11FB1	2000	230/460	228.0	95.0	1.15	50.79	C, CN	
	125	3600	444TS	171580.60	✓	18653	C444T34FB8	1373	460	132.0*	95.0	1.25	39.10	C, CN
			444TS	199042.00	✓	15350	C444T34FB1	1750	460	136.0*	95.0	1.15	47.05	C, CN
1800		444T	170369.60	✓	20203	C444T17FB5	1576	460	137.0*	95.4	1.15	42.87	C, CN	
		444T	199043.00	✓	15163	C444T17FB1	1850	460	140.0*	95.4	1.15	50.79	C, CN	
1800		444T	LM13704	✓	19371	SF4B125T64Y	1351	460	146.0*	96.2	1.15	41.58	S, US	
		444TS	LM32820	C/A	19371	SF4B125TS64Y	1351	460	146.0*	96.2	1.15	37.83	S, US	
1200		445T	170260.60	✓	22758	C445T11FB5	1596	460	155.0*	95.4	1.25	44.88	C, CN	
		445T	199044.00	✓	17673	C445T11FB1	2050	460	142.0*	95.0	1.15	50.79	C, CN	

Green items are Premium Efficient

* F.L. Amps at 460V

▼ LM Numbers are Lincoln Models

C/A - Check Availability

Specifications are subject to change without notice

♥ Note listing on inside back flap

Continued On Next Page

View On-line Technical Information



Tech Information

Single Phase
ODP Motors

Single Phase
TEFC Motors

Three Phase
ODP Motors

Three Phase
TEFC Motors

Inverter Duty
Motors

Severe Duty
Motors

Three Phase Motors Totally Enclosed Fan Cooled

General Purpose - Standard,
EPAct and Premium Efficient - Three Phase Motors

Three Phase - TEFC - Rigid Base

HP	SYN RPM 60 Hz	NEMA Frame	▼ Catalog Number	Stock	List Price	Model Number	App. Wgt. (lbs)	Voltage	F. L. Amps @ 460 V	% F.L. Eff.	Service Factor	"C" Dim. (Inches)	♥ Notes	
150	3600	445TS	171578.60	✓	23022	C445T34FB3	1445	460	163.0	95.0	1.15	44.88	C, CN	
		445TS	199045.00	✓	18855	C445T34FB1	2050	460	162.0	95.0	1.15	47.05	C, CN	
	1800	445T	170371.60	✓	23116	C445T17FB8	1627	460	163.0	95.8	1.15	44.88	C, CN	
		445T	199046.00	✓	17805	C445T17FB1	2050	460	165.0	95.8	1.15	50.79	C, CN	
	1800	445TS	LM13707	✓	22469	SF4B150T64Y	1531	460	168.0	96.2	1.15	43.58	S, US	
		445TS	LM32679	C/A	22469	SF4B150TS64Y	1504	460	168.0	96.2	1.15	39.49	S, US	
	1200	447T	171315.60	✓	25663	C447T11FB1	2230	460	185.0	95.8	1.25	48.00	C, CN	
		447T	199047.00	✓	22471	C447T11FB1	2500	460	170.0	95.8	1.15	55.91	C, CN	
200	3600	447TS	171579.60	✓	26515	C447T34FB3	2100	460	216.0	95.4	1.25	48.00	C, CN	
		447TS	199048.00	✓	22017	C447T34FB1	2300	460	215.0	95.4	1.15	52.17	C, CN	
	3600	445TS	LM13709	✓	35224	SF2B200TS64Y	1531	460	211.0	95.4	1.15	39.49	S, US	
	1800	447T	170352.60	✓	26474	C447T17FB8	2785	460	216.0	96.2	1.15	48.00	C, CN	
		447T	199049.00	✓	21655	C447T17FB1	2350	460	225.0	96.2	1.15	55.91	C, CN	
	1800	445T	LM13710	✓	27788	SF4B200T64Y	1531	460	227.0	95.0	1.15	43.58	S, US	
	1200	449T	171316.60	✓	33614	C449T11FB1	2542	460	241.0	96.2	1.25	52.80	C, CN	
		449T	199050.00	✓	23932	C449T11FB1	2900	460	228.0	95.8	1.15	55.91	C, CN	
	250	3600	449TS	LM16222	C/A	35381	SF2P250TS64Y	2185	460	263.0	95.8	1.15	47.99	S, US
			4447TS	LM13556	C/A	33698	SF2P250TS64Y	1812	460	263.0	95.4	1.15	42.99	S, US
1800		449T	G151516.60	✓	28621	C449T17FB3	2541	460	274.0	95.0	1.15	52.80	C, CN	
1800		447T	LM13713	C/A	34985	SF4B250T64Y	1812	460	282.0	95.4	1.15	47.08	S, US	
1800		447T	LM13557	✓	28968	SF4P250T64Y	1812	460	283.0	95.0	1.15	47.08	S, US	
1200		449T	LM30826	C/A	38146	CCF6P250T64Y	3408	460	300.0	95.4	1.15	51.86	C, US	

Green items are Premium Efficient

♥ Note listing on inside back flap

▼ LM Numbers are Lincoln Models

Continued On Next Page

C/A - Check Availability

Specifications are subject to change without notice

Single Phase
ODP Motors

Single Phase
TEFC Motors

Three Phase
ODP Motors

Three Phase
TEFC Motors

Inverter Duty
Motors

Severe Duty
Motors



View On-line Technical Information



Three Phase Motors Totally Enclosed Fan Cooled

General Purpose - Standard,
EPAct and Premium Efficient - Three Phase Motors

Three Phase - TEFC - Rigid Base

HP	SYN RPM 60 Hz	NEMA Frame	▼ Catalog Number	Stock	List Price	Model Number	App. Wgt. (lbs)	Voltage	F. L. Amps @ 460 V	% F.L. Eff.	Service Factor	"C" Dim. (Inches)	♥Notes
300	3600	449TS	LM13715	C/A	52975	SF2B300TS64Y	2185	460	314.0	95.8	1.15	47.99	S, US
		449TS	LM13559	C/A	41186	SF2P300TS64Y	2185	460	315.0	95.4	1.15	47.99	S, US
	1800	449T	G151529.60	√	32190	C449T17FB9	2558	460	327.0	95.4	1.15	52.80	C, CN
		447T	LM13716	C/A	38298	SF4B300T64Y	2185	460	352.0	95.8	1.15	47.08	S, US
	1800	449T	LM17953	√	30285	SF4P300T64Y	1812	460	338.0	95.4	1.15	52.08	S, US
	1800	449TS	LM18347	C/A	30285	SF4P300TS64Y	2185	460	338.0	95.0	1.15	47.99	S, US
	1800	447T	LM13560	√	30285	SF4P300T64Y	2185	460	353.0	95.4	1.00	47.08	S, US
350	3600	449TS	LM13719	C/A	57684	SFB350TS64Y	2185	460	370.0	95.8	1.15	47.99	S, US
		449TS	LM13562	C/A	45677	SF2350TS64Y	2185	460	367.0	95.4	1.00	47.99	S, US
	3600	449TS	LM19577	C/A	51710	CCF2P350TS64Y	3050	460	380.0	95.4	1.15	48.09	C, US
	1800	449T	G151530.60	√	33542	C449T17FB10	2710	460	402.0	95.4	1.15	52.80	C, CN
	1800	449T	LM13563	C/A	31368	SF4P350T64Y	2185	460	395.0	95.4	1.15	52.08	S, US
400	3600	449TS	LM13721	C/A	70447	SF2B400TS64Y	2185	460	420.0	95.4	1.00	47.99	S, US
		449TS	LM13564	C/A	55792	SF2P400TS64Y	2185	460	424.0	94.1	1.00	47.99	S, US
	1800	449T	LM33803	C/A	51857	CCF4B400T64YE3	3558	460	460.0	96.5	1.15	56.71	C, US
	1800	449T	LM13565	C/A	41486	SF4P400T64Y	2185	460	447.0	95.4	1.00	52.08	S, US

Green items are Premium Efficient

♥ Note listing on inside back flap

▼ LM Numbers are Lincoln Models

C/A - Check Availability

Specifications are subject to change without notice

Tech Information

Single Phase
ODP Motors

Single Phase
TEFC Motors

Three Phase
ODP Motors

Three Phase
TEFC Motors

Inverter Duty
Motors

Severe Duty
Motors

View On-line Technical Information



Three Phase C Face Motors

Totally Enclosed - General Purpose

Tech Information

Three Phase - Totally Enclosed - C Face Less Base

HP	SYN RPM 60 Hz	NEMA Frame	▼ Catalog Number	Stock	List Price	Model Number	App. Wgt. (lbs)	Voltage	F. L. Amps @ 230 V	% F.L. Eff.	Service Factor	"C" Dim. (Inches)	♥ Notes
1/6	1800	48CZ	102662.00	✓	332	C4T17FC31	15	208-230/460	0.7	71.0	1.00	9.44	S, MX
1/4	3600	48CZ	101965.00	✓	435	C4T34NC11	15	208-230/460	1.0	67.0	1.00	9.03	S, US, 12
	1800	48CZ	101966.00	✓	376	C4T17NC35	18	208-230/460	1.0	78.0	1.15	9.31	S, MX, 12
	1800	48CZ	101981.00	✓	376	C4T17FC19	17	208-230/460	1.4	58.0	1.15	8.94	S, MX
	1800	S56C	101648.00	✓	369	C4T17NC28	17	208-230/460	1.0	78.0	1.15	9.56	S, MX, 12
	1800	S56C	101767.00	✓	369	C4T17FC9	19	208-230/460	1.4	58.0	1.15	9.69	S, MX
	1800	56C	LM24964	✓	391	SRF4S0.25TCN61	14	230/460	1.1	71.0	1.15	11.32	S, US
1/3	3600	56C	110446.00	✓	367	C6T34NC2	20	208-230/460	1.2	77.0	1.15	9.90	S, US, 12
	1800	48CZ	102664.00	✓	383	C4T17FC30	20	208-230/460	1.6	64.3	1.15	9.19	S, MX
	1800	S56C	101769.00	✓	396	C4T17FC10	20	208-230/460	1.6	64.3	1.15	9.69	S, MX
	1800	S56C	LM24093	✓	423	SRF4S0.33TCN61	15	230/460	1.6	65.5	1.15	10.19	S, MX
	1800	S56C	102863.00	✓	406	C4T17NC47	19	208-230/460	1.3	77.0	1.15	9.56	S, MX, 12
	1800	S56C	102696.00	✓	555	C4T17FC33	22	208-230/460	1.3	77.0	1.25	10.19	S, MX
1/2	1200	48C	101291.00	✓	617	C4T11NC1	20	208-230/460	1.8	73.0	1.00	9.56	S, MX
	1200	56C	113311.00	✓	617	C6T11FC16	22	208-230/460	1.6	65.0	1.15	10.81	S, US
	1200	56C	LM24858	✓	646	SRF6S0.33TCN61	21	230/460	2.2	62.0	1.15	11.32	S, MX
	3600	48C	100449.00	✓	428	C4T34NC4	23	208-230/460	1.6	67.0	1.00	10.06	S, US, 12
	3600	56C	110144.00	✓	428	C6T34NC1	25	208-230/460	1.6	82.5	1.15	10.40	S, US, 12
	3600	56C	114176.00	✓	428	C6T34FC42	19	208-230/460	2.0	72.0	1.15	10.31	S, US
	1800	48CZ	100486.00	✓	483	C4T17NC11	24	208-230/460	1.6	78.0	1.00	10.31	S, MX, 12
	1800	48CZ	102666.00	✓	462	C4T17FC32	24	208-230/460	2.0	73.0	1.15	9.69	S, MX
	1800	S56C	102861.00	✓	481	C4T17NC46	23	208-230/460	1.8	77.0	1.15	10.06	S, MX, 12
	1800	S56C	102860.00	✓	462	C4T17FC40	19	208-230/460	2.0	73.0	1.15	10.19	S, MX
	1800	S56C	LM24083	✓	516	SRF4S0.5TCN61	17	230/460	2.2	70.0	1.15	10.69	S, MX
	1800	S56C	101780.00	✓	595	C4T17FC12	25	208-230/460	1.8	77.0	1.15	10.69	S, MX
900	1200	56C	110163.00	✓	668	C6T11FC1	25	208-230/460	2.4	70.0	1.15	11.31	S, US
	1200	56C	LM24128	✓	695	SRF6S0.5TCN61	23	230/460	2.7	68.0	1.15	11.82	S, MX
	900	143TC	LM24965	✓	1058	SSF8S0.5TCN61	31	230/460	2.6	66.0	1.15	13.37	S, US
3/4	3600	56C	110448.00	✓	449	C6T34FC9	21	208-230/460	2.4	75.5	1.15	10.81	S, US
	3600	56C	LM24151	✓	466	SRF2S0.75TCN61	22	230/460	3.2	74.0	1.15	11.82	S, US
	1800	56C	110047.00	✓	500	C6T17FC1	22	208-230/460	2.8	77.0	1.15	10.81	S, US
	1800	S56C	LM24077	✓	535	SRF4S0.75TCN61	21	230/460	2.8	75.5	1.15	11.19	S, MX
	1800	56C	114213.00	✓	640	C6T17FC114	27	208-230/460	2.7	81.5	1.15	11.31	S, US
	1200	143TC	120097.00	✓	699	C143T11FC1	32	208-230/460	3.0	80.0	1.15	10.88	S, US
	1200	56C	112378.00	✓	699	C6T11FC10	29	208-230/460	3.0	75.5	1.15	11.81	S, US
	900	145TC	LM24967	✓	1205	SSF8S0.75TCN61	49	230/460	4.2	70.0	1.15	14.87	S, US

▼ LM Numbers are Lincoln Models

♥ Note listing on inside back flap

Note 12 - TENV

Continued On Next Page

Specifications are subject to change without notice



View On-line Technical Information



Three Phase C Face Motors

Totally Enclosed - General Purpose

Tech Information

Three Phase - Totally Enclosed - C Face Less Base

HP	SYN RPM 60 Hz	NEMA Frame	▼ Catalog Number	Stock	List Price	Model Number	App. Wgt. (lbs)	Voltage	F. L. Amps @ 230 V	% F.L. Eff.	Service Factor	"C" Dim. (Inches)	♥ Notes
1	3600	56C	110112.00	✓	527	C6T34FC6	21	208-230/460	3.2	77.0	1.15	10.81	S, US
	3600	56C	LM24139	✓	553	SRF2S1TCN61	24	230/460	3.7	74.0	1.15	11.82	S, US
	3600	56C	116748.00	✓	712	C6T34FC97	29	208-230/460	2.8	80.0	1.25	11.31	S, US
1800	143TC	G120024.00	✓	607	C143T17FC23	34	208-230/460	3.1	82.5	1.15	11.28	S, US	
	143TC	LM24148	✓	659	SSF4P1TCN61	28	230/460	3.6	82.5	1.25	12.87	S, MX	
	56C	110048.00	✓	534	C6T17FC2	24	208-230/460	3.8	77.0	1.15	11.31	S, US	
1800	56C	LM24080	✓	571	SRF3S1TCN61	27	230/460	3.6	77.0	1.15	12.32	S, MX	
	56C	114638.00	✓	889	C6T17FC132	34	208-230/460	3.4	85.5	1.15	12.81	S, US	
	143TC	121067.00	✓	889	C143T17FC16	36	208-230/460	3.4	85.5	1.15	13.25	S, US	
1200	145TC	G120098.00	✓	753	C145T11FC9	35	208-230/460	3.6	80.0	1.15	12.28	S, US	
	145TC	LM32846	✓	821	SSF6P1TCN61	33	230/460	3.6	82.5	1.15	12.50	S, US	
	56C	112379.00	✓	686	C6T11FC11	32	208-230/460	4.0	77.0	1.15	12.31	S, US	
1200	56HC	LM24130	✓	717	SRF6S1TCN61	33	230/460	4.0	78.5	1.15	12.82	S, MX	
	56C	116749.00	✓	935	C6T11FC29	47	208-230/460	3.8	82.5	1.25	13.75	S, US	
	1 1/2	3600	143TC	G120105.00	✓	661	C143T34FC18	27	208-230/460	4.0	82.5	1.15	11.78
3600		56C	110192.00	✓	581	C6T34FC5	28	208-230/460	4.2	81.5	1.15	11.81	S, US
3600		56C	LM24096	✓	606	SRF2S1.5TCN61	26	230/460	4.6	80.0	1.15	13.82	S, US
3600	56C	116750.00	✓	808	C6T34FC98C	33	208-230/460	4.0	84.0	1.25	11.98	S, US	
	1800	145TC	G120037.00	✓	634	C145T17FC62	36	208-230/460	4.4	84.0	1.15	12.13	S, US
	1800	145TC	LM24149	✓	621	SSF4P1.5TCN61	31	230/460	4.4	84.0	1.25	14.37	S, MX
1800	56C	110125.00	✓	565	C6T17FC3	29	208-230/460	5.0	78.5	1.15	11.81	S, US	
	56C	LM24112	✓	606	SRF4S1.5TCN61	29	230/460	4.8	80.0	1.15	12.32	S, MX	
	56C	116743.00	✓	938	C6T17FC209	41	208-230/460	4.8	86.5	1.25	13.31	S, US	
1800	145TC	121066.00	✓	938	C145T17FC37	41	208-230/460	4.8	86.5	1.15	13.75	S, US	
	182TC	G132249.00	✓	879	C182T11FC4	82	208-230/460	5.6	85.5	1.15	14.96	S, MX	
	56C	113634.00	✓	782	C6T11FC18	39	208-230/460	5.7	77.0	1.15	13.31	S, US	
2	3600	145TC	G120061.00	✓	729	C145T34FC38	44	208-230/460	5.2	84.0	1.15	11.78	S, US
	3600	145TC	LM32678	✓	792	SSF2P2TCN61	45	230/460	5.2	84.0	1.15	13.37	S, US
	3600	56C	111273.00	✓	661	C6T34FC22	36	208-230/460	5.6	82.5	1.15	12.31	S, US
3600	56C	LM24132	✓	691	SRF2S2TCN61	29	230/460	6.0	82.5	1.15	12.32	S, US	
	56C	116751.00	✓	935	C6T34FC94	44	208-230/460	4.8	85.5	1.25	14.25	S, US	
	1800	145TC	G120038.00	✓	651	C145T17FC105	44	208-230/460	5.6	84.0	1.15	12.12	S, US
1800	145TC	LM24125	✓	716	SSF4P2TCN61	39	230/460	5.6	84.0	1.25	13.87	S, MX	
	56C	110451.00	✓	601	C6T17FC9	34	208-230/460	6.2	81.5	1.15	12.81	S, US	
	56C	LM24084	✓	646	SRF4S2TCN61	39	230/460	5.8	82.5	1.15	13.82	S, MX	
1800	56C	116744.00	✓	985	C6T17FC210	45	208-230/460	5.8	86.5	1.25	13.82	S, US	
	145TC	121065.00	✓	985	C145T17FC38	45	208-230/460	5.8	86.5	1.25	14.26	S, US	
	1200	184TC	G131525.00	✓	958	C184T11FC10	75	208-230/460	7.4	86.5	1.15	13.97	S, MX

Single Phase ODP Motors

Single Phase TEFC Motors

Three Phase ODP Motors

Three Phase TEFC Motors

Inverter Duty Motors

Severe Duty Motors

Green items are Premium Efficient

▼ LM Numbers are Lincoln Models

Specifications are subject to change without notice

♥ Note listing on inside back flap

Continued On Next Page

View On-line Technical Information



Three Phase C Face Motors

Totally Enclosed - General Purpose

Three Phase - Totally Enclosed - C Face Less Base

HP	SYN RPM 60 Hz	NEMA Frame	▼ Catalog Number	Stock	List Price	Model Number	App. Wgt. (lbs)	Voltage	F. L. Amps @ 230 V	% F.L. Eff.	Service Factor	"C" Dim. (Inches)	♥Notes
3	3600	145TC	G120993.00	✓	825	C145T34FC39	60	208-230/460	8.4	85.5	1.15	13.42	S, US
	3600	145TC	LM32848	✓	903	SSF2S3TCN61	40	208-230/460	7.6	85.5	1.15	13.42	S, US
	3600	56C	111630.00	✓	752	C6T34FC28	37	208-230/460	7.6	84.0	1.15	12.81	S, US
	3600	182TC	G131513.00	✓	910	C182T34FC6	55	208-230/460	8.0	84.0	1.15	13.97	S, MX
	3600	182TC	199082.00	✓	886	C182T34FC1	83	230/460	7.6	86.5	1.15	15.75	C, CN
1800	182TC	G131491.00	✓	807	C182T17FC35	67	208-230/460	8.2	87.5	1.15	13.96	S, MX	
	182TC	199083.00	✓	876	C182T17FC1	87	230/460	7.8	89.5	1.15	15.75	C, CN	
	182TC	LM16298	D	919	AAF4P3TCN61	91	230/460	8.4	87.5	1.25	14.94	A, US	
	182TC	LM33574	✓	863	AAF4P3TCN61AP26	91	230/460	8.4	87.5	1.25	14.96	A, MX	
	56C	113890.00	✓	802	C6T17FC91	43	208-230/460	8.6	82.5	1.00	13.81	S, US	
	182TC	LM33337	✓	807	SSF4P3TCN61	67	230/460	8.2	87.5	1.15	13.96	S, MX	
	182TC	131503.00	✓	1056	C182T17FC26	72	208-230/460	7.8	89.5	1.15	14.96	S, MX	
	182TC	LM16824	D	1056	AAF4B3TCN61	95	230/460	8.0	89.5	1.25	15.94	A, US	
	182TC	LM33573	✓	1056	AAF4B3TCN61AP21	95	230/460	8.0	89.5	1.25	14.96	A, MX	
1200	213TC	G141114.00	✓	1362	C213T11FC1	133	208-230/460	14.4	87.5	1.15	17.71	S, MX	
5	3600	184TC	G131514.00	✓	964	C184T34FC23	79	208-230/460	12.0	87.5	1.15	14.47	S, MX
	3600	184TC	199084.00	✓	983	C184T34FC1	95	230/460	13.4	88.5	1.15	16.73	C, CN
	1800	184TC	G131492.00	✓	929	C184T17FC46	80	208-230/460	12.8	87.5	1.15	14.97	S, MX
	1800	184TC	199085.00	✓	955	C184T17FC1	110	230/460	12.4	89.5	1.15	16.73	C, CN
	1800	184TC	LM16299	D	1016	AAF4P5TCN61	104	230/460	13.0	87.5	1.25	15.94	A, US
	1800	184TC	LM33489	✓	966	AAF4P5TCN61AP26	104	230/460	13.0	87.5	1.25	15.94	A, MX
	1800	184TC	131501.00	✓	1140	C184T17FC29	90	208-230/460	12.8	89.5	1.15	15.97	S, MX
	1200	215TC	G140535.00	✓	1571	C215T11FC3	142	208-230/460	17.6	87.5	1.15	18.21	S, MX
	7 1/2	3600	184TC	G131510.00	✓	1184	C184T34FC22	90	208-230/460	16.8	88.5	1.00	15.97
3600		S213TC	G131912.00	✓	1216	C184T34FC24	91	208-230/460	16.8	88.5	1.00	16.96	S, MX
3600		213TC	G151345.60	✓	1300	C213T34FC43	158	208-230/460	17.8	88.5	1.25	18.95	C, CN
3600		213TC	199086.00	✓	1383	C213T34FC1	116	230/460	17.8	89.5	1.15	19.53	C, CN
1800		213TC	G141113.00	✓	1154	C213T17FC9	144	208-230/460	20.4	89.5	1.15	17.71	S, MX
1800		213TC	G151346.60	✓	1207	C213T17FC42	148	208-230/460	19.2	89.5	1.25	18.95	C, CN
1800		213TC	199087.00	✓	1210	C213T17FC1	143	230/460	18.6	91.7	1.15	19.53	C, CN
1800		213TC	140486.00	✓	1326	C213T17FC7	144	208-230/460	21.4	91.7	1.25	18.70	S, MX
10		3600	213TC	G140690.00	✓	1495	C215T34FC4	112	208-230/460	23.6	90.2	1.15	20.57
	3600	215TC	G151347.60	✓	1526	C215T34FC43	153	208-230/460	23.6	90.2	1.25	20.36	C, CN
	3600	215TC	199088.00	✓	1461	C215T34FC1	137	230/460	22.8	90.2	1.15	21.02	C, CN
	1800	215TC	G140109.00	✓	1333	C215T17FC10	158	208-230/460	26.0	89.5	1.15	20.57	S, MX
	1800	215TC	140484.00	✓	1600	C215T17FC4	160	208-230/460	26.6	91.7	1.25	19.70	S, MX
	1800	215TC	G151348.60	✓	1419	C215T17FC42	173	208-230/460	25.2	91.0	1.25	20.36	C, CN
	1800	215TC	199089.00	✓	1423	C215T17FC1	168	230/460	24.4	91.7	1.15	21.02	C, CN
	1800	215TC	LM16301	✓	1633	AF4P10TCN61	149	230/460	27.0	89.5	1.25	19.63	A, US

Green items are Premium Efficient

♥ Note listing on inside back flap

▼ LM Numbers are Lincoln Models

Continued On Next Page

D - To be discontinued when inventory is depleted

Specifications are subject to change without notice



View On-line Technical Information



Three Phase C Face Motors

Totally Enclosed - General Purpose

Three Phase - Totally Enclosed - C Face Less Base

HP	SYN RPM 60 Hz	NEMA Frame	▼ Catalog Number	Stock	List Price	Model Number	App. Wgt. (lbs)	Voltage	F. L. Amps @ 230 V	% F.L. Eff.	Service Factor	"C" Dim. (Inches)	♥ Notes
15	3600	215TC	G140691.00	√	2009	C215T34FC5	158	208-230/460	36.0	90.2	1.15	20.57	S, MX
		215TC	G151349.60	√	2130	C215T34FC44	173	208-230/460	35.0	90.2	1.25	23.80	C, CN
	1800	254TC	G151350.60	√	2034	C254T17FC5	251	208-230/460	37.0	91.0	1.25	23.80	C, CN
		254TC	LM16302	√	2457	AF4P15TCN61	221	230/460	39.0	91.0	1.25	23.40	A, US
20	3600	256TC	G151351.60	√	2704	C256T34FC5	250	208-230/460	46.2	90.2	1.25	25.50	C, CN
		256TC	G151352.60	√	2504	C256T17FC4	265	208-230/460	48.2	91.0	1.25	25.50	C, CN
25	1800	284TC	G151507.60	√	3237	C284T17FC5	355	208-230/460	58.8	92.4	1.15	26.26	C, CN
30	1800	286TC	G151508.60	√	3863	C286T17FC5	422	208-230/460	69.8	92.4	1.15	27.83	C, CN
40	1800	324TC	G151509.60	√	4931	C324T17FC5	562	208-230/460	94.0	93.0	1.15	29.53	C, CN
50	1800	326TC	G151510.60	√	5708	C326T17FC5	620	208-230/460	118.0	93.0	1.15	31.02	C, CN
60	1800	364TC	G151519.60	√	8606	C364T17FC10	689	208-230/460	138.0	95.4	1.15	32.64	C, CN

▼ LM Numbers are Lincoln Models

♥ Note listing on inside back flap

Specifications are subject to change without notice

Tech Information

Single Phase
ODP Motors

Single Phase
TEFC Motors

Three Phase
ODP Motors

Three Phase
TEFC Motors

Inverter Duty
Motors

Severe Duty
Motors

View On-line Technical Information



Three Phase C Face Motors

Totally Enclosed - General Purpose

Three Phase - Totally Enclosed - C Face With Base

HP	SYN RPM 60 Hz	NEMA Frame	▼ Catalog Number	Stock	List Price	Model Number	App. Wgt. (lbs)	Voltage	F. L. Amps @ 230 V	% F.L. Eff.	Service Factor	"C" Dim. (Inches)	♥ Notes
1/4	1800	S56	LM24946	C/A	416	SRF4S0.25TC61	21	230/460	1.3	62.5	1.15	9.94	S, US
1/3	1800	S56C	102921.00	√	443	C4T17NK3	18	208-230/460	1.3	77.0	1.15	9.56	S, 12, MX
		S56C	102922.00	√	441	C4T17FK11	19	208-230/460	1.3	77.0	1.15	10.19	S, MX
	1800	S56C	LM24114	√	460	SRF4S0.33TC61	21	230/460	1.6	65.5	1.15	10.10	S, MX
		S56C	102697.00	√	565	C4T17FK5	22	208-230/460	1.3	77.0	1.25	10.19	S, MX
1/2	3600	56C	110182.00	√	444	C6T344NK1	26	208-230/460	1.6	82.5	1.15	10.40	S, 12, US
		56C	114142.00	√	444	C6T34FK46	21	208-230/460	2.6	68.0	1.15	10.81	S, US
		56C	LM24129	√	476	SRF2S0.5TC61	22	230/460	2.2	69.0	1.15	11.81	S, US
	1800	S56C	102919.00	√	510	C4T17NK2	22	208-230/460	2.0	77.0	1.15	10.06	S, 12, MX
		S56C	102917.00	√	510	C4T17FK10	19	208-230/460	2.0	73.0	1.15	10.19	S, MX
	1800	S56C	LM24074	√	518	SRF4S0.5TC61	18	230/460	2.2	70.0	1.15	10.69	S, MX
		S56C	102024.00	√	608	C4T17FK2	23	208-230/460	1.8	77.0	1.15	10.69	S, MX
	1200	56C	110914.00	√	687	C6T11FK1	25	208-230/460	2.4	70.0	1.15	11.31	S, US
56C		LM24104	√	727	SRF6S0.5TC61	24	230/460	2.7	68.0	1.15	11.81	S, MX	
3/4	900	143TC	LM24949	√	1058	SSF8S0.5TC61	31	230/460	2.6	66.0	1.15	13.37	S, US
		56C	110915.00	√	480	C6T34FK6	23	208-230/460	2.4	75.5	1.15	10.81	S, US
	3600	56C	LM24134	√	522	SRF2S0.75TC61	22	230/460	3.2	74.0	1.15	11.81	S, US
		56C	110916.00	√	549	C6T17FK5	22	208-230/460	2.8	77.0	1.15	10.81	S, US
	1800	S56C	LM24076	√	553	SRF4S0.75TC61	20	230/460	2.8	75.5	1.15	11.19	S, MX
		56C	114624.00	√	653	C6T17FK58	25	208-230/460	2.7	81.5	1.25	11.31	S, US
	1200	56C	116340.00	√	719	C6T11FK12	29	208-230/460	3.0	75.5	1.15	11.81	S, US
		56C	LM24140	√	744	SRF6S0.75TC61	26	230/460	3.2	74.0	1.15	12.31	S, MX
	1200	143TC	120485.00	√	719	C143T11FK2	34	208-230/460	3.0	75.5	1.15	13.25	S, US
		143TC	LM24273	√	744	SSF6S0.75TC61	28	230/460	3.2	74.0	1.15	12.37	S, MX
1	900	145TC	LM24265	√	1205	SSF8S0.75TC61	49	230/460	4.8	70.0	1.15	14.87	S, US
		56C	110181.00	√	569	C6T34FK1	24	208-230/460	3.2	77.0	1.15	10.81	S, US
	3600	56C	LM24126	√	602	SRF2S1TC61	25	230/460	3.7	74.0	1.15	11.81	S, US
		56C	110912.00	√	585	C6T17FK6	24	208-230/460	3.6	77.0	1.15	11.31	S, US
	1800	56C	LM24079	√	572	SRF4S1TC61	28	230/460	3.6	77.0	1.15	12.31	S, MX
		56C	116745.00	√	920	C6T17FK98	34	208-230/460	3.4	85.5	1.25	12.81	S, US
	1800	143TC	121179.00	√	920	C143T17FK9	34	208-230/460	3.4	85.5	1.15	13.25	S, US
		143TC	LM32822	√	776	SSF4B1TC61	41	208-230/460	3.2	85.5	1.25	12.93	S, US
	1200	145TC	121936.00	√	901	C145T11FK7	47	208-230/460	3.8	81.5	1.25	13.75	S, US
		56HC	LM24349	√	751	SRF6S1TC61	38	230/460	4.0	78.5	1.15	12.82	S, MX
	1200	145TC	LM32823	√	926	SSF6B1TC61	47	230/460	3.8	82.5	1.25	14.87	S, US
	900	182TC	LM32692	D	1348	AAF8P1TC61	75	230/460	4.4	74.0	1.15	15.83	A, US
182TC		LM33566	C/A	1348	AAF8P1TC61AP26	75	230/460	4.4	74.0	1.15	14.96	A, MX	

♥ Note listing on inside back flap

Continued On Next Page

Green items are Premium Efficient

▼ LM Numbers are Lincoln Models

C/A - Check Availability

D - To be discontinued when inventory is depleted

Specifications are subject to change without notice



View On-line Technical Information



Three Phase C Face Motors

Totally Enclosed - General Purpose

Three Phase - Totally Enclosed - C Face With Base

HP	SYN RPM 60 Hz	NEMA Frame	▼ Catalog Number	Stock	List Price	Model Number	App. Wgt. (lbs)	Voltage	F. L. Amps @ 230 V	% F.L. Eff.	Service Factor	"C" Dim. (Inches)	♥Notes
1 1/2	3600	56C	110917.00	√	638	C6T34FK7	29	208-230/460	4.2	81.5	1.15	11.81	S, US
	3600	56C	LM24135	√	654	SRF2S1.5TC61	41	230/460	4.6	80.0	1.15	11.82	S, US
	3600	143TC	121672.00	√	842	C143T34FK15	33	208-230/460	3.6	84.0	1.25	13.25	S, US
	1800	56C	110918.00	√	617	C6T17FK7	30	208-230/460	5.0	78.5	1.15	11.81	S, US
	1800	56HC	LM24095	√	605	SRF4S1.5TC61	31	230/460	4.8	80.0	1.15	12.32	S, MX
	1800	56C	116746.00	√	954	C6T17FK96	37	208-230/460	5.6	86.5	1.25	13.31	S, US
	1800	145TC	121180.00	√	954	C145T17FK26	37	208-230/460	5.6	86.5	1.15	13.75	S, US
	1800	145TC	LM32825	√	812	SSF4B1.5TC51	44	230/460	4.6	86.5	1.15	14.37	S, US
	1200	56HC	114198.00	√	828	C6T11FK6	41	208-230/460	5.7	77.0	1.15	13.31	S, US, 47
	1200	56HCZ	116592.00	√	828	C6T11FK15	44	208-230/460	5.7	77.0	1.15	13.75	S, US, 32
	1200	182TC	LM16728	D	1098	AAF6B1.5TC61	95	230/460	4.4	87.5	1.25	15.83	A, US
	1200	182TC	LM33567	√	1098	AAF6B1.5TC61AP26	95	230/460	4.4	87.5	1.25	14.97	A, MX
2	3600	56C	113927.00	√	722	C6T34FK44	34	208-230/460	5.6	82.5	1.15	12.31	S, US
	3600	56HC	LM24121	√	727	SRF2S2TC61	38	230/460	6.0	82.5	1.15	12.32	S, US
	3600	145TC	121673.00	√	863	C145T34FK39	44	208-230/460	4.8	85.5	1.25	13.75	S, US
	3600	145TC	LM32828	√	902	SSF2B2TC61	40	208-230/460	4.8	85.5	1.25	13.43	S, US
	1800	56HC	116106.00	√	659	C6T17FK76	36	208-230/460	6.2	81.5	1.15	12.81	S, US
	1800	56HC	LM24081	√	614	SRF4S2TC61	50	230/460	5.2	82.5	1.15	13.82	S, MX
	1800	56HC	116747.00	√	997	C6T17FK97	43	208-230/460	5.8	86.5	1.25	13.82	S, US
	1800	145TC	121181.00	√	997	C145T17FK27	43	208-230/460	5.8	86.5	1.25	14.26	S, US
	1800	145TC	LM32829	√	881	SSF4B2TC61	46	230/460	6.0	86.5	1.15	14.87	S, MX
	1200	184TC	132243.00	√	1138	C184T11FK6	93	208-230/460	7.2	88.5	1.15	15.96	S, MX
	1200	184TC	LM16739	D	1214	AAF6B2TC61	104	230/460	6.0	88.5	1.25	16.83	A, US
	1200	184TC	LM33569	√	1214	AAF6B2TC61AP26	88	230/460	6.0	88.5	1.25	14.97	A, MX
900	213TC	LM32831	C/A	1914	AAF8P2TC61	107	230/460	7.3	82.5	1.15	17.95	A, US	

Green items are Premium Efficient

▼ LM Numbers are Lincoln Models

C/A - Check Availability

D - To be discontinued when inventory is depleted

Specifications are subject to change without notice

♥ Note listing on inside back flap

Continued On Next Page

View On-line Technical Information



Three Phase C Face Motors

Totally Enclosed - General Purpose

Three Phase - Totally Enclosed - C Face With Base

HP	SYN RPM 60 Hz	NEMA Frame	▼ Catalog Number	Stock	List Price	Model Number	App. Wgt. (lbs)	Voltage	F. L. Amps @ 230 V	% F.L. Eff.	Service Factor	"C" Dim. (Inches)	♥Notes
3	3600	56HC	114615.00	✓	804	C6T34FK55	38	208-230/460	7.6	84.0	1.15	12.81	S, US, 47
	3600	145TC	121929.00	✓	1059	C145T34FK43	45	208-230/460	7.6	86.5	1.15	13.76	S, US
	3600	182TC	132079.00	✓	1246	C182T34FK10	70	208-230/460	7.6	86.5	1.25	13.96	S, MX
	3600	182TC	171564.60	✓	1235	C182T34FK14	66	208-230/460	7.2	86.5	1.15	16.76	C, CN
	3600	182TC	LM16741	D	1218	AAF2B3TC61	95	230/460	7.6	87.5	1.25	15.83	A, US
	3600	182TC	LM33570	✓	1218	AAF2B3TC61AP26	95	230/460	7.6	87.5	1.25	14.97	A, MX
	3600	182TC	199051.00	✓	813	C182T34FK1	83	230/460	7.6	86.5	1.15	15.75	C, CN
1800	56HC	116107.00	✓	835	C6T17FK77	45	208-230/460	8.6	82.5	1.00	13.81	S, US, 47	
	56HCZ	116388.00	✓	835	C6T17FK90	46	208-230/460	8.6	82.5	1.00	14.25	S, US, 32	
	182TC	131504.00	✓	1076	C182T17FK14	75	208-230/460	7.8	89.5	1.15	14.96	S, MX	
	182TC	LM16742	D	1056	AAF4B3TC61	75	230/460	8.0	89.5	1.25	15.83	A, US	
	182TC	LM33485	✓	1070	AAF4B3TC61AP26	75	230/460	8.0	89.5	1.25	14.97	A, MX	
	182TC	171565.60	✓	1199	C182T17FK27	125	208-230/460	7.8	89.5	1.15	15.89	C, CN	
	182TC	199052.00	✓	766	C182T17FK1	87	230/460	7.8	89.5	1.15	15.75	C, CN	
	215TC	140834.00	✓	1537	C215T11FK9	170	230/460	9.4	89.5	1.15	18.21	S, MX	
	213TC	LM16744	✓	1726	AF6B3TC61	131	230/460	8.8	89.5	1.25	19.45	S, MX	
	5	3600	184TC	171446.60	✓	1285	C184T34FK44	111	208-230/460	12.0	88.5	1.15	16.80
3600		184TC	199053.00	✓	943	C184T34FK1	95	230/460	13.4	88.5	1.15	16.73	C, CN
3600		184TC	132080.00	✓	1231	C184T34FK32	100	208-230/460	12.0	88.5	1.25	16.46	S, MX
3600		184TC	LM16745	D	1582	AAF2B5TC61	104	230/460	11.8	89.5	1.25	16.83	A, US
3600		184TC	LM33571	✓	1582	AAF2B5TC61AP26	104	230/460	11.8	89.5	1.25	14.97	A, MX
1800		184TC	171566.60	✓	1244	C184T17FK35	109	208-230/460	12.8	89.5	1.15	16.80	C, CN
1800		184TC	199054.00	✓	852	C184T17FK1	110	230/460	12.4	89.5	1.15	16.73	C, CN
1800		184TC	131502.00	✓	1166	C184T17FK15	99	208-230/460	12.8	89.5	1.15	15.97	S, MX
1800		184TC	LM16747	✓	1223	AAF4BTC61	104	230/460	12.4	90.2	1.25	16.83	A, US
1800		184TC	LM33484	✓	1240	AAF4B5TC61AP26	104	230/460	12.4	90.2	1.25	16.83	A, MX
1200		215TC	171116.60	✓	1914	C215T11FB11	180	208-230/460	14.4	89.5	1.15	19.61	C, CN
1200		215TC	LM16748	✓	1979	AF6B5TC61	149	230/460	13.8	89.5	1.25	19.45	A, US
1200		215TC	LM32835	✓	1738	SSF6B5TC61	149	230/460	14.0	89.5	1.15	20.97	S, MX
900		254TC	LM32836	✓	2831	AF8P5TC61	167	230/460	15.0	87.5	1.15	23.40	A, US
7 1/2		3600	184TC	132313.00	✓	1338	C184T34FK48	103	208-230/460	17.6	89.5	1.15	13.97
	3600	213TC	140770.00	✓	1520	C215T34FK11	160	208-230/460	17.8	90.2	1.15	19.64	S, MX
	3600	213TC	170166.60	✓	1513	C213T34FK5	147	208-230/460	18.0	89.5	1.15	18.19	C, CN
	3600	213TC	199055.00	✓	1159	C213T34FK1	116	230/460	17.8	89.5	1.15	19.53	C, CN
	1800	213TC	140521.00	✓	1332	C213T17FK7	144	208-230/460	21.4	91.7	1.25	18.70	S, MX
	1800	213TC	170165.60	✓	1430	C286T17DK5	155	208-230/460	18.6	91.7	1.15	18.19	C, CN
	1800	213TC	199056.00	✓	1105	C213T17FK1	160	230/460	19.2	91.7	1.15	19.53	C, CN
	1800	213TC	LM16752	✓	1871	AF4B7.5TC61	138	230/460	19.2	91.6	1.25	19.45	A, US
	1200	254TC	170138.60	✓	2756	C254T11FB9	249	208-230/460	22.2	91.0	1.15	23.19	C, CN
	1200	254TC	LM16753	✓	2708	AAF6B7.5TC61	221	230/460	19.8	91.0	1.25	23.40	A, US
900	256TC	LM32839	✓	3327	AF8P7.5TC61	203	230/460	23.0	86.5	1.15	25.15	A, US	

Green items are Premium Efficient

▼ LM Numbers are Lincoln Models

D - To be discontinued when inventory is depleted

Specifications are subject to change without notice

♥ Note listing on inside back flap

Continued On Next Page



View On-line Technical Information



Three Phase C Face Motors

Totally Enclosed - General Purpose

Three Phase - Totally Enclosed - C Face With Base

HP	SYN RPM 60 Hz	NEMA Frame	▼ Catalog Number	Stock	List Price	Model Number	App. Wgt. (lbs)	Voltage	F. L. Amps @ 230 V	% F.L. Eff.	Service Factor	"C" Dim. (Inches)	♥ Notes	
10	3600	215TC	140769.00	✓	1719	C213T34FK1	175	208-230/460	23.6	91.7	1.15	21.09	S, MX	
	3600	215TC	LM32840	✓	1930	SSF2B10TC1	125	230/460	23.6	91.7	1.25	22.22	S, MX	
	3600	215TC	170168.60	✓	1772	C215T34FK15	181	208-230/460	23.4	90.2	1.15	19.61	C, CN	
	3600	215TC	199057.00	✓	1295	C215T34FK1	137	230/460	22.8	90.2	1.15	21.02	C, CN	
	3600	215TC	LM16755	✓	2007	AF2B10TC61	149	230/460	23.6	91.7	1.25	20.45	A, US	
	1800	215TC	140522.00	✓	1608	C215T17FK3	160	208-230/460	26.6	91.7	1.25	19.70	S, MX	
	1800	215TC	LM32841	✓	1595	SSF4B10TC61	135	230/460	25.6	91.7	1.25	20.97	S, MX	
	1800	215TC	170167.60	✓	1636	C215T17FK20	177	208-230/460	25.0	91.7	1.15	19.61	C, CN	
	1800	215TC	199058.00	✓	1256	C215T17FK1	164	230/460	24.4	91.7	1.15	21.02	C, CN	
	1800	215TC	LM16757	✓	1978	AF4B10TC61	149	230/460	25.0	91.7	1.25	19.45	A, US	
1200	256TC	170139.60	✓	3072	C256T11FB11	300	208-230/460	29.0	91.0	1.15	24.92	C, CN		
	256TC	LM16759	✓	3385	AF6B10TC61	248	230/460	26.2	91.0	1.25	25.15	A, US		
	15	3600	254TC	171586.60	✓	2719	C254T34FK8	292	208-230/460	34.6	91.7	1.25	23.19	C, CN
		3600	254TC	199059.00	✓	2142	C254T34FK1	350	230/460	34.0	91.0	1.15	26.60	C, CN
3600		215TC	194128.00	✓	1974	C215T34FK2	185	230/460	35.0	93.0	1.15	21.62	S, CN	
1800	254TC	171587.60	✓	2811	C254T17FK8	284	208-230/460	36.0	92.4	1.25	23.19	C, CN		
	254TC	199060.00	✓	2063	C254T17FK1	350	230/460	37.0	92.4	1.15	26.60	C, CN		
	254TC	LM16762	✓	2787	AF4B15TC61	221	230/460	37.5	92.4	1.25	23.40	A, US		
1200	284TC	170104.60	✓	4576	C284T11FB9	333	208-230/460	40.6	91.7	1.15	26.26	C, CN		
20	3600	256TC	171588.60	✓	3340	C256T34FK3	326	208-230/460	46.0	92.4	1.25	24.92	C, CN	
	3600	256TC	199061.00	✓	2526	C256T34FK1	375	230/460	46.0	91.0	1.15	27.80	C, CN	
1800	256TC	171589.60	✓	3357	C256T17FK8	325	208-230/460	49.0	93.0	1.25	24.92	C, CN		
	256TC	199062.00	✓	2468	C256T17FK1	425	230/460	49.0	93.0	1.15	27.80	C, CN		
	256TC	LM16767	✓	3030	AF4B20TC61	248	230/460	48.0	93.0	1.25	25.15	A, US		
	1200	286TC	LM16769	✓	6024	AF6B20TC61Y	415	230/460	61.0	91.7	1.25	28.01	A, US	
	25	3600	284TC	170619.60	✓	3684	C284T34FK8	393	208-230/460	56.8	93.0	1.15	24.88	C, CN
3600		284TSC	171590.60	✓	4197	C284T34FK5	290	208-230/460	56.8	93.0	1.25	25.88	C, CN	
3600		284TSC	199063.00	✓	3188	C284T34FK1	475	230/460	56.0	91.7	1.15	28.79	C, CN	
1800	284TC	171591.60	✓	4343	C284T17FK5	388	208-230/460	59.0	94.0	1.25	26.26	C, CN		
1800	284TC	199064.00	✓	2938	C284T17FK1	500	230/460	61.0	93.6	1.15	30.16	C, CN		
1800	284TC	LM16772	✓	4118	AF4B25TC61Y	370	230/460	64.0	93.6	1.25	26.51	A, US		
1800	284TSC	LM32654	✓	4095	AF4B25TSC61Y	370	230/460	65.0	93.6	1.25	25.13	A, US		
1200	324TC	LM13723	C/A	8286	SF6B25TC61Y	514	230/460	64.0	92.4	1.25	28.94	S, US		

Green items are Premium Efficient

♥ Note listing on inside back flap

▼ LM Numbers are Lincoln Models

Continued On Next Page

C/A - Check Availability

Specifications are subject to change without notice

View On-line Technical Information



Three Phase C Face Motors

Totally Enclosed - General Purpose

Tech Information

Three Phase - Totally Enclosed - C Face With Base

HP	SYN RPM 60 Hz	NEMA Frame	▼ Catalog Number	Stock	List Price	Model Number	App. Wgt. (lbs)	Voltage	F. L. Amps @ 230 V	% F.L. Eff.	Service Factor	"C" Dim. (Inches)	♥ Notes
30	3600	286TSC	170108.60	√	4347	C286T34FK14	400	208-230/460	69.2	93.0	1.15	27.83	C, CN
		286TSC	199065.00	√	3666	C286T34FK1	500	230/460	68.0	91.7	1.15	39.97	C, CN
		286TC	170620.60	√	4347	C286T34FK11	400	208-230/460	69.2	93.0	1.15	26.46	C, CN
	1800	286TC	171592.60	√	5233	C286T17FK4	436	208-230/460	70.0	93.6	1.15	27.83	C, CN
		286TC	199066.00	√	3529	C286T17FK1	525	230/460	73.0	93.6	1.15	31.34	C, CN
		286TC	LM16774	√	5352	AF4B30TC61Y	415	230/460	75.0	93.6	1.25	28.01	A, US
		286TSC	LM32842	√	5352	AF430TSC61Y	415	230/460	75.0	93.6	1.25	26.63	A, US
1200	326TC	LM13724	C/A	8637	SF6B30TC61Y	568	230/460	76.0	93.0	1.25	30.44	S, US	
40	3600	324TSC	170110.60	√	6411	C324T34FK8	574	208-230/460	89.0	93.6	1.15	28.03	C, CN
		324TSC	199067.00	√	4875	C324T34FK1	675	230/460	88.0	92.4	1.15	31.18	C, CN
		324TC	171593.60	√	6764	C324T17FK5	532	208-230/460	92.0	94.1	1.15	29.53	C, CN
	1800	324TC	199068.00	√	4502	C324T17FK1	750	230/460	94.0	94.1	1.15	32.68	C, CN
		324TC	LM13726	√	9177	SF4B40TC61Y	514	230/460	101.0	94.1	1.25	28.94	S, US
		324TSC	LM32652	√	9177	SF4B40TSC61Y	574	230/460	102.0	94.1	1.25	27.44	S, US
		1200	364TC	LM15565	√	10145	SF6B40TC61Y	777	230/460	112.0	93.6	1.25	31.89
50	3600	326TSC	170112.60	√	6597	C326T34FK5	604	208-230/460	112.0	93.0	1.15	29.53	C, CN
		326TSC	199069.00	√	5978	C326T34FK1	725	230/460	109.0	93.0	1.15	32.36	C, CN
		326TC	171594.60	√	7430	C326T17FK5	592	208-230/460	117.0	94.5	1.25	31.02	C, CN
	1800	326TC	199070.00	√	5527	C326T17FK1	775	230/460	119.0	94.5	1.15	33.86	C, CN
		326TC	LM13728	√	9217	SF4B59TC61Y	568	230/460	127.0	94.5	1.25	30.44	S, US
		326TSC	LM32843	√	9217	SF4B50TSC61Y	568	230/460	122.0	94.5	1.25	28.94	S, US
		1200	365TC	LM15568	√	12156	SF6B50TC61Y	834	230/460	138.0	94.1	1.25	32.89
60	3600	364TSC	170114.60	√	10784	C364T34FK3	860	208-230/460	139.0	93.6	1.15	30.51	C, CN
		364TSC	199071.00	√	7927	C364T34FK1	925	230/460	132.0	93.6	1.15	34.48	C, CN
		364TC	171595.60	√	11783	C364T17FK5	670	208-230/460	137.0	95.4	1.25	32.64	C, CN
	1800	364TC	199072.00	√	7546	C364T17FK1	1000	230/460	138.0	95.0	1.15	36.61	C, CN
		364TC	LM15563	√	12104	SF4B60TC61Y	777	230/460	145.0	95.0	1.25	31.89	S, US
		364TSC	LM32665	√	12104	SF4B60TSC61Y	777	230/460	145.0	95.0	1.25	29.77	S, US
		1200	365TSC	171115.60	√	12947	C365T34FK3	773	208-230/460	172.0	93.6	1.15	31.49
75	3600	365TSC	199073.00	√	9275	C365T34FK1	1025	230/460	164.0	93.6	1.15	36.26	C, CN
		365TC	171596.60	√	13557	C365T17FK6	739	208-230/460	170.0	95.8	1.25	33.62	C, CN
	1800	365TC	199074.00	√	9092	C365T17FK1	1100	230/460	173.0	95.4	1.15	38.39	C, CN
		365TC	LM15567	√	12658	SF4B75TC61Y	834	230/460	178.0	95.4	1.15	32.89	S, US
		365TSC	LM32653	√	12658	SF4B75TSC61Y	834	230/460	178.0	95.4	1.15	30.77	S, US

Green items are Premium Efficient

▼ LM Numbers are Lincoln Models

C/A - Check Availability

Specifications are subject to change without notice

♥ Note listing on inside back flap

Continued On Next Page



View On-line Technical Information



Three Phase C Face Motors

Totally Enclosed - General Purpose

Three Phase - Totally Enclosed - C Face With Base

HP	SYN RPM 60 Hz	NEMA Frame	▼ Catalog Number	Stock	List Price	Model Number	App. Wgt. (lbs)	Voltage	F. L. Amps @ 230 V	% F.L. Eff.	Service Factor	"C" Dim. (Inches)	♥Notes
100	3600	405TSC	LM16719	√	18202	SF2B100TSC61Y	1018	230/460	210.0	94.5	1.15	33.87	S, US
		405TSC	199075.00	√	11996	C405T34FK1	1250	230/460	216.0	94.5	1.15	39.76	C, CN
	1800	405TC	171597.60	√	16600	C405T17FK2	1076	208-230/460	225.0	95.4	1.15	37.91	C, CN
		405TC	199076.00	√	10918	C405T17FK1	1375	230/460	224.0	95.4	1.15	42.76	C, CN
		405TC	LM15263	√	15299	SF4B100TC61Y	1018	230/460	244.0	95.4	1.15	36.87	S, US
		405TSC	LM32659	√	15299	SF4B100TSC61Y	1372	230/460	244.0	95.4	1.15	33.87	S, US
125	3600	444TSC	LM13730	C/A	23311	SF2B125TSC64Y	1372	460	133.0*	95.0	1.15	37.74	S, US
		444TC	LM13731	C/A	20372	SF4B125TC64Y	1372	460	146.0*	96.2	1.15	41.49	S, US
		444TSC	LM32844	√	20372	SF4B125TSC64Y	1372	460	146.0*	96.2	1.15	37.74	S, US
150	3600	445TSC	LM13733	C/A	28773	SF2B150TSC64Y	1552	460	163.0*	95.8	1.15	39.74	S, US
		445TC	LM13734	√	23461	SF4B150TC64Y	1552	460	168.0*	96.2	1.15	39.74	S, US
		445TSC	LM32845	√	23461	SF4B150TSC64Y	1525	460	168.0*	96.2	1.15	39.74	S, US
200	3600	445TSC	LM13736	C/A	36076	SF2B200TSC64Y	1552	460	212.0*	96.2	1.15	39.74	S, US
		445TC	LM13737	√	28808	SF4B200TC64Y	1525	460	227.0*	96.2	1.15	43.49	S, US
		445TSC	LM32660	√	28808	SF4B200TSC64Y	1525	460	227.0*	96.2	1.15	39.74	S, US

Green items are Premium Efficient

♥ Note listing on inside back flap

* F.L. Amps at 460V

▼ LM Numbers are Lincoln Models

C/A - Check Availability

Specifications are subject to change without notice

Tech Information

Single Phase
ODP Motors

Single Phase
TEFC Motors

Three Phase
ODP Motors

Three Phase
TEFC Motors

Inverter Duty
Motors

Severe Duty
Motors

View On-line Technical Information



Three Phase Motors Totally Enclosed

TENV Motors - Three Phase - Rigid Base



Three Phase - TENV - Rigid Base

HP	SYN RPM 60 Hz	NEMA Frame	Catalog Number	Stock	List Price	Model Number	App. Wgt. (lbs)	Voltage	F. L. Amps @ 230 V	% F.L. Eff.	Service Factor	"C" Dim. (Inches)	♥Notes
1/6	3600	42	092014.00	C/A	430	C42T34NB2	13	208-230/460	0.7	65.0	1.00	7.56	S, US
	1800	42	092015.00	√	470	C42T17NB1	14	208-230/460	0.9	61.0	1.00	7.81	S, US
1/4	3600	42	092016.00	C/A	455	C42T34NB3	15	208-230/460	0.9	62.0	1.00	8.06	S, US
	1800	48	100123.00	√	357	C4T17NB3	16	208-230/460	1.0	78.0	1.15	9.18	S, MX
	1800	S56	101649.00	√	357	C4T17NH8	16	208-230/460	1.0	78.0	1.15	9.56	S, MX
1/3	3600	48	101013.00	√	342	C4T34NB3	17	208-230/460	1.2	72.0	1.15	9.06	S, US
	1800	48	100443.00	√	396	C4T17NB5	19	208-230/460	1.4	78.0	1.15	9.56	S, MX
	1800	S56	102920.00	√	394	C4T17NH13	20	208-230/460	1.3	77.0	1.15	9.56	S, MX
1/2	3600	56	110143.00	√	396	C6T34NB1	25	208-230/460	1.5	67.0	1.15	10.38	S, US
	1800	S56	102918.00	√	460	C4T17NH12	21	208-230/460	1.8	77.0	1.15	10.06	S, MX
3/4	1800	56	114309.00	√	500	C6T17NB53	30	208-230/460	2.5	80.0	1.15	10.89	S, US
1	1800	143T	121098.00	√	573	C143T17NB6	35	208-230/460	3.2	80.0	1.15	11.83	S, US
1 1/2	1800	145T	121099.00	√	600	C145T17NB9	47	208-230/460	4.2	80.0	1.15	13.33	S, US

C/A - Check Availability

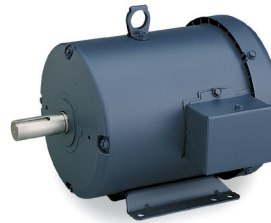
♥ Note listing on inside back flap

Specifications are subject to change without notice

Three Phase Motors Totally Enclosed

F2 Conduit Box Mount Motors - TEFC - Three Phase

General Purpose Applications



Three Phase - TEFC - Rigid Base

HP	SYN RPM 60 Hz	NEMA Frame	Catalog Number	Stock	List Price	Model Number	App. Wgt. (lbs)	Voltage	F. L. Amps @ 230 V	% F.L. Eff.	Service Factor	"C" Dim. (Inches)	Inverter speed range	♥Notes
3	1800	182T	132237.00	√	930	C182T17FB50	80	208-230/460	7.8	89.5	1.15	14.96	S, MX	S, MX
5	1800	184T	132236.00	√	1023	C184T17FB62	94	208-230/460	12.8	89.5	1.15	15.96	S, MX	S, MX
7 1/2	1800	213T	140832.00	C/A	1315	C213T17FB18	154	208-230/460	21.4	91.7	1.25	18.70	S, MX	S, MX

Green items are Premium Efficient

♥ Note listing on inside back flap

Note: For larger F2 mount motors, G150 & 170 Series cast iron motors may be converted to F2 by reassembly. Contact factory for F2 mounting for Lincoln Brand motors

C/A - Check Availability

Specifications are subject to change without notice



View On-line Technical Information



Three Phase Motors Totally Enclosed Compressor Duty

General Specifications:

Motors designed for air compressor, pump, fan and blower duty applications which require high breakdown torque and rugged mechanical construction.



Mechanical Features:

- Double shielded ball bearings
- Designed for belted loads
- Class F insulation

Three Phase - TEFC - Rigid Base

HP	SYN RPM 60 Hz	NEMA Frame	▼ Catalog Number	Stock	List Price	Model Number	App. Wgt. (lbs)	Voltage	F. L. Amps @ 230 V	% F.L. Eff.	Service Factor	"C" Dim. (Inches)	♥Notes
3	1800	182T	131463.00	√	930	C182T17FB32	80	208-230/460	7.8	89.5	1.15	13.96	S, MX
	1800	182T	LM32741	√	930	SSF4B3T61	77	208-230/460	7.8	89.5	1.15	13.96	S, MX
5	1800	182T	131464.00	√	1023	C184T17FB42	94	208-230/460	12.8	89.5	1.15	15.96	S, MX
	1800	182T	LM33266	√	1023	SSF4B5T61	85	208-230/460	12.6	89.5	1.15	14.96	S, MX
7 1/2	1800	213T	140450.00	√	1315	C213T17FB6	144	208-230/460	21.4	91.7	1.25	18.70	S, MX
	1800	213T	LM32805	√	1214	SSF4B7.5T6	115	208-230/460	19.4	91.7	1.25	20.23	S, MX
10	1800	215T	140451.00	√	1590	C215T17FB18	161	208-230/460	26.6	91.7	1.25	19.70	S, MX
	1800	215T	LM32809	√	1499	SSF4B10T6	135	208-230/460	26.0	91.7	1.25	21.48	S, MX
15	1800	254T	170066.60	√	2345	C254T17FB10	280	208-230/460	36.0	92.4	1.25	23.19	C, CN
	1800	254T	LM24208	√	2619	CCF4B15T6	322	208-230/460	37.5	92.4	1.25	25.27	C, US
20	1800	256T	170007.60	√	2933	C256T17FB4	322	208-230/460	49.0	93.0	1.15	24.92	C, CN

Green items are Premium Efficient

♥ Note listing on inside back flap

▼ LM Numbers are Lincoln Models

C/A - Check Availability

Specifications are subject to change without notice

Three Phase Motors Totally Enclosed

Resilient Base Motors - Three Phase

General Purpose or Fan & Blower Service

Features:

- Industrial duty designs
- Suitable for belt driven or fan-on-shaft applications
- Ball bearings



Three Phase - Totally Enclosed - Resilient Base

HP	SYN RPM 60 Hz	NEMA Frame	Catalog Number	Stock	List Price	Model Number	App. Wgt. (lbs)	Voltage	F. L. Amps @ 230 V	% F.L. Eff.	Service Factor	"C" Dim. (Inches)	♥Notes
1/2	1800	56	111917.00	√	526	C6T17NR1	25	208-230/460	1.8	78.5	1.15	11.31	S, US, 6, 12
1	1800	56	111918.00	√	592	C6T17FR1	29	208-230/460	3.8	77.0	1.15	12.51	S, US, 6, 13

Note 12 - TENV

Specifications are subject to change without notice

♥ Note listing on inside back flap

View On-line Technical Information



Three Phase Motors Totally Enclosed Sub-FHP Motors - Inverter Rated - Three Phase

Features:

- Designed with the exclusive inverter rated insulation system (IRIS)
- Provides superior protection against voltage spikes induced by variable frequency drives
- Double shielded motor ball bearings
- Needle bearings in the parallel shaft gearboxes
- Ball bearings in the Right angle (worm) gearboxes
- Steel conduit box provided as standard
- Finished in high gloss hardened black enamel paint

Application Notes:

- Designed with high temperature insulation (Class F) to prevent overheating when operated with a PWM inverter down to a 10:1 speed range from the printed motor's speed range

Three Phase - 230 Volt - Totally Enclosed - C Face With Base

HP	SYN RPM 60 Hz	NEMA Frame	Catalog Number	Stock	List Price	Model Number	App. Wgt. (lbs)	Voltage	F. L. Amps @ 230	♥Notes
1/15	1725	38	M1140171.00	√	362	CM38T17NK1	7	230	0.4	S, US, 12
1/6	1725	38	M1140173.00	C/A	390	CM38T17NK2	8	230	0.7	S, US, 12
1/4	1725	38	M1140172.00	C/A	419	CM38T17FK3	9	230	1.1	S, US, 12

C/A - Check Availability

♥ Note listing on inside back flap

Note 12 - TENV

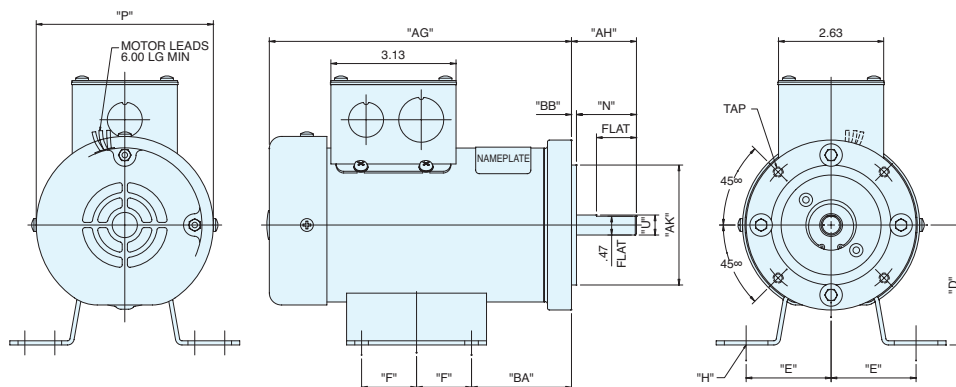
Specifications are subject to change without notice

38 Frame NEMA C Face With Base Dimensions

Catalog Number	AG	P	U	AH	BB	AJ	TAP	R	AK	BB	D	BA	E	F	H
M1140171.00	5.14	3.85	0.5	1.63	1	3.75	1/3/16	4.25	3.0	0.1	3.00	2.50	2.125	1.375	11/32 Slot
M1140173.00	6.14	3.85	0.5	1.63	1	3.75	1/3/16	4.25	3.0	0.1	3.00	2.50	2.125	1.375	11/32 Slot
M1140172.00	7.56	4.43	0.5	1.63	1	3.75	1/3/16	4.25	3.0	0.1	3.00	2.50	2.125	1.375	11/32 Slot

Specifications are subject to change without notice

AC 38 48C ALL DIMENSIONS IN INCHES



Both motors only and gearmotors will have inverter rated printed on the nameplate.
UL and CSA recognition for both motors only and gearmotors



View On-line Technical Information



Three Phase C Face Motors Inverter Duty - FHP Motors



Features:

- Compact 48-frame design with keyed shaft
- Class F insulation
- 20:1 constant torque rated
- Inverter IRIS™ insulation system
- 1/2" diameter keyed shaft with 48-C Face
- 115/230V three phase design optimized for FHP drives
- Designed to be used with FHP AC Drives found on page 361



Three Phase - TEFC - C Face With Base

HP	SYN RPM 60 Hz	NEMA Frame	Catalog Number	Stock	List Price	Model Number	App. Wgt. (lbs)	Voltage	F. L. Amps @ 230 V	% F.L. Eff.	Service Factor	"C" Dim. (Inches)	♥Notes
1/6	1800	48CZ	102792.00	√	357	C4T17FK7	25	115/230	1.3	56.0	1.15	8.94	S, MX
1/4	1800	48CZ	102793.00	√	405	C4T17FK8	26	115/230	1.4	58.0	1.15	8.94	S, MX
1/3	1800	48CZ	102794.00	√	443	C4T17FK6	28	115/230	1.6	64.3	1.15	9.19	S, MX
1/2	1800	48CZ	102795.00	√	495	C4T17FK9	30	115/230	1.8	77.0	1.15	10.19	S, MX

Specifications are subject to change without notice

♥ Note listing on inside back flap

View On-line Technical Information

